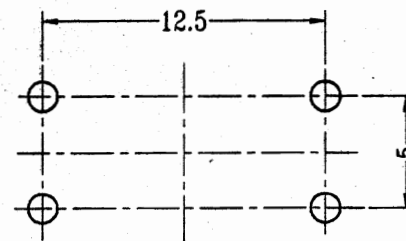
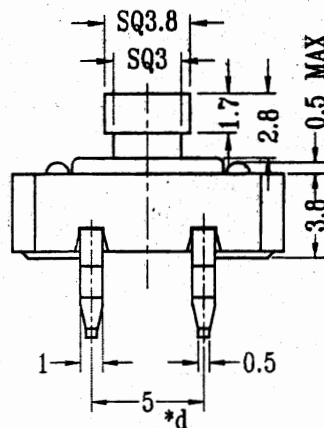
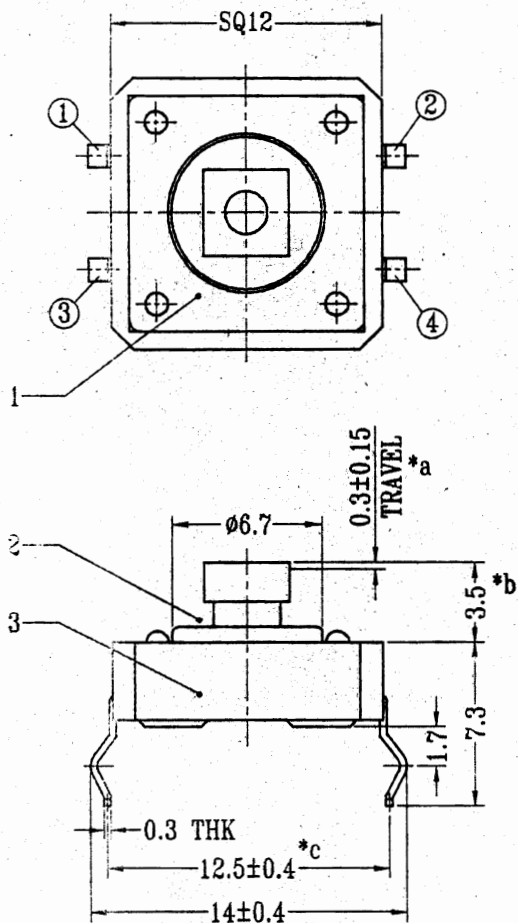




CAD FILE:



P.C.B LAYOUT

注：*表示關鍵尺寸(4個)

				TOLERANCE UNLESS SPECIFIED			
				WITHIN 1.5mm : ±0.1mm	B	25-Oct-2005	修正零件用料以及修正關鍵尺寸個數
				OVER 1.5mm : ±0.2mm	ISSUE	DATE	DESCRIPTIONS OF REVISION
4	CONTACT	PBS C5210R-EH	1	Ag CLAD	TITLE : TACT SWITCH		UNIT : mm
3	CASE	NYLON+F.G/BRASS STRIP	1	BLACK/Ag PLATED OVER Ni PLATED	MODEL: TC-12XT		DRWG NO.: TT-DR-TC12XT-00
2	KNOB	NYLON+F.G	1	BLACK	SCALE: 3:1	DWN. 陳強	25-Oct-2005
1	COVER	PET/ZINC PLATE	1	CLEAR/Ni PLATED	CHK'D 徐的	25-Oct-2005	
NO.	PARTS	MATERIALS	Q'TY	FINISH	WEALTH METAL FACTORY LTD.		APPD. 黃子傑