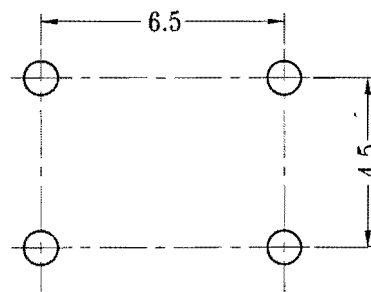
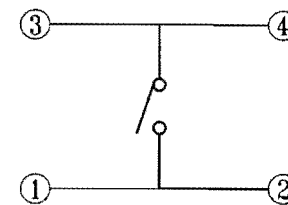


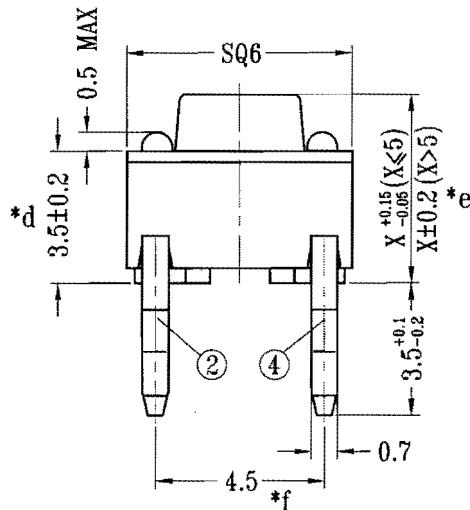
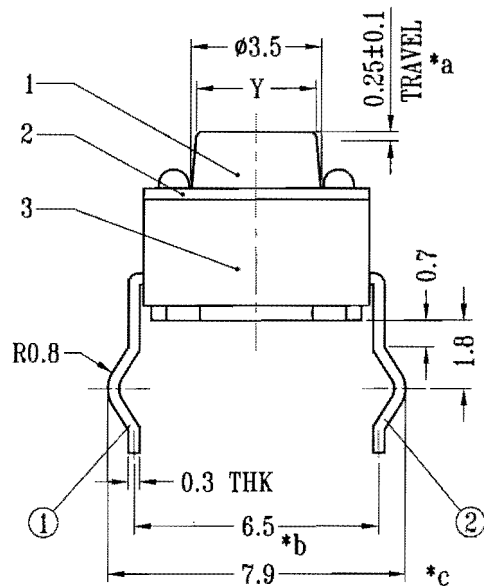
CAD FILE:



P.C.B LAYOUT
BOTTOM VIEW



SCHEMATIC



注：“*”表示关键尺寸(6个)

TC-0111	TC0111	17.0	φ2.7
TC-0110	TC0110	13.5	φ3.2
TC-G109	TCG109	14.0	φ3.1
TC-B109	TCB109	11.0	φ3.2
TC-A109	TCA109	13.0	φ3.3
TC-0109	TC0109	12.5	φ3.0
TC-B108	TCB108	10.5	φ3.2
TC-0108	TC0108	9.5	φ3.3
TC-A107	TCA107	9.0	φ3.1
TC-0107	TC0107	8.5	φ3.1
TC-0106	TC0106	8.0	φ3.3
TC-0105	TC0105	7.3	φ3.3
TC-0104	TC0104	7.0	φ3.3
TC-G103	TCG103	5.5	φ3.4
TC-A103	TCA103	6.0	φ3.4
TC-0103	TC0103	5.0	φ3.4
TC-0102	TC0102	4.3	φ3.5
TC-0101	TC0101	4.2	φ3.5
MODEL NO.	KNOB TYPE	X	Y

NO.	PARTS	MATERIALS	Q'TY	FINISH	TOLERANCE UNLESS SPECIFIED				
8					WITHIN 1.5mm : ±0.1mm				
7					OVER 1.5mm : ±0.2mm				
6					E	03-May-2012	增加明细表:		
5					ISSUE	DATE	DESCRIPTIONS OF REVISION		
4	CONTACT	PBS C5210R-EH	1	Ag CLAD	TITLE : TACT SWITCH			UNIT : mm	DRWG NO.: TT-DR-TC0101-00
3	CASE	NYLON+F.G/BRASS STRIP	1	BLACK/Ag PLATED OVER Ni PLATED	MODEL: TC-0101~0111			SCALE: 5:1	DWN. 甘胜君 03-May-2012
2	COVER	STEEL STRIP/PET	1	Ni PLATED/CLEAR	WEALTH METAL FACTORY LTD.				CHK'D 叶满根 3-May-2012
1	KNOB	NYLON+F.G	1	BLACK/RED					APPD.