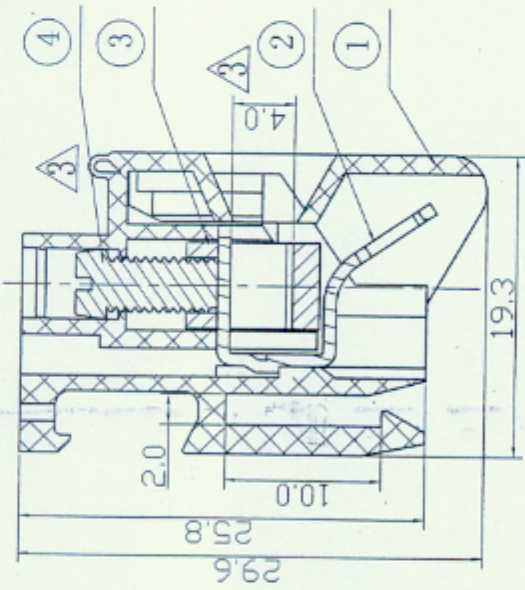
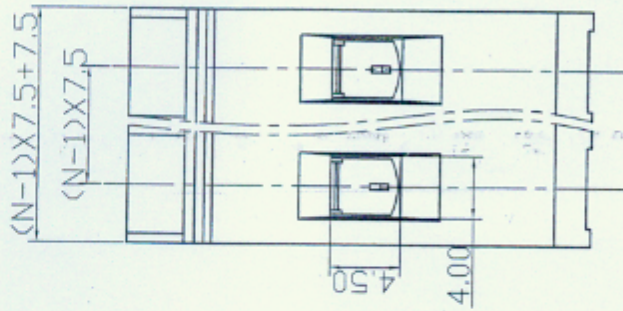
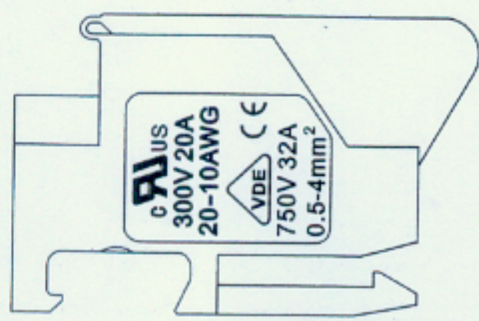
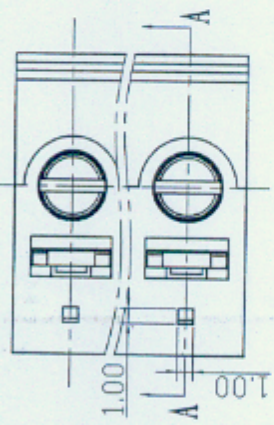
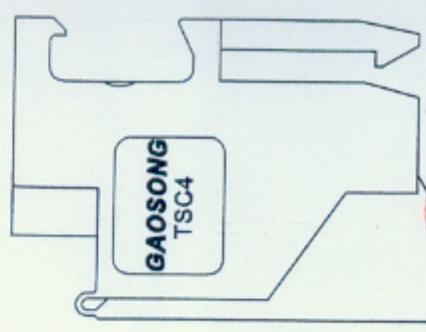


REVISION RECORD		
REV	ECO	DATE
1	1-01010	06/22/11
DESCRIPTION		
改善零件规格, 增加尺寸修改		
DRAFT		
YTB		



SECTION A-A



宁波正德电子
发行部
2011.6.23
文管中心

4	TSC 4 Screw (M3.5x7.0)	S000002040 (H)	XX	Steel	Cr ³⁺ Zn
3	TSC 4 Wire Cage	X000001390 (H)	XX	Brass	Ni plated
2	TSC 4 pin header	7001B00010 (H)	XX	Copper	SnCe
1	TSC 4 OIS Housing	7001A1501S (H)	1	PA66	UL94V-0/B

ITEM	NAME OF PART	NO. OF PART	QTY	MATERIAL	NOTES
DEGSOON® 宁波正德电子有限公司 DEGSOON ELECTRONICS CO., LTD NAME: TSC 4-XXP-15-01S(H) DRAWING NO. TSC 4-E03 /PART NO. A3 DO NOT SCALE DRAWING SHEET 1 OF 1					

Pitch range in mm	Nominal dimension range in mm			
	over	to	over	to
6	10	to	30	over
to	to	to	to	150
6	10	24	30	100
±0.10	±0.15	±0.25	±0.2	±0.3
				±0.7 ± 1.0

- Notes:
- Pitch: 7.5mm, Poles: 1-2P
 - Rated voltage/current: UL 300V/20A VDE 750V/32A
 - Operation temperatures: -40°C ~ +105°C
 - Withstanding Voltage: AC2000V/1Min
 - Insulation Resistance: 5000MΩ / DC1000V
 - Wire Range: 20~10AWG, 0.5~4.0mm²
 - Max. Torque Value: M3.5, 8.16kgf.cm
 - Undimensioned Tolerances: