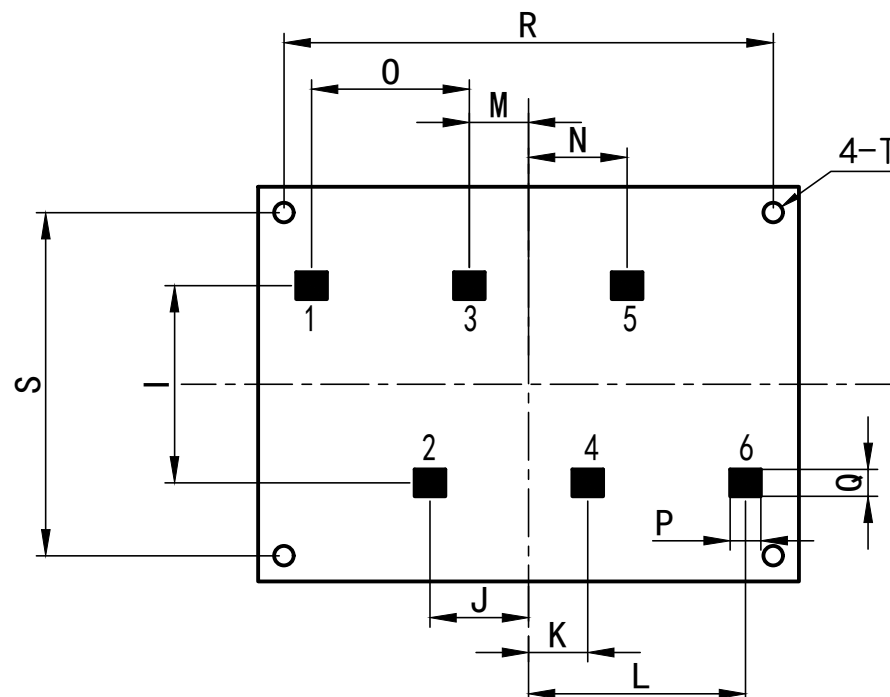
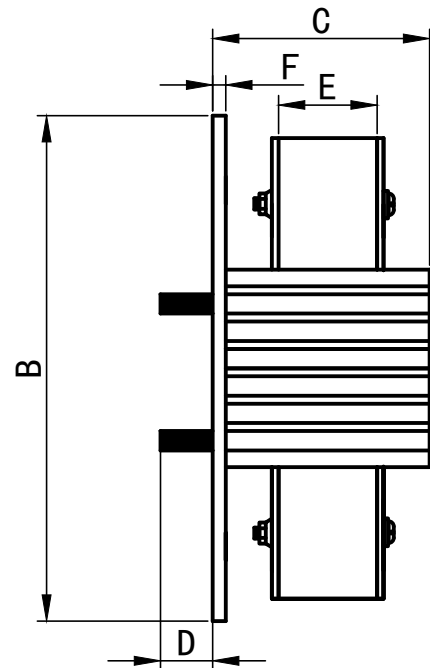
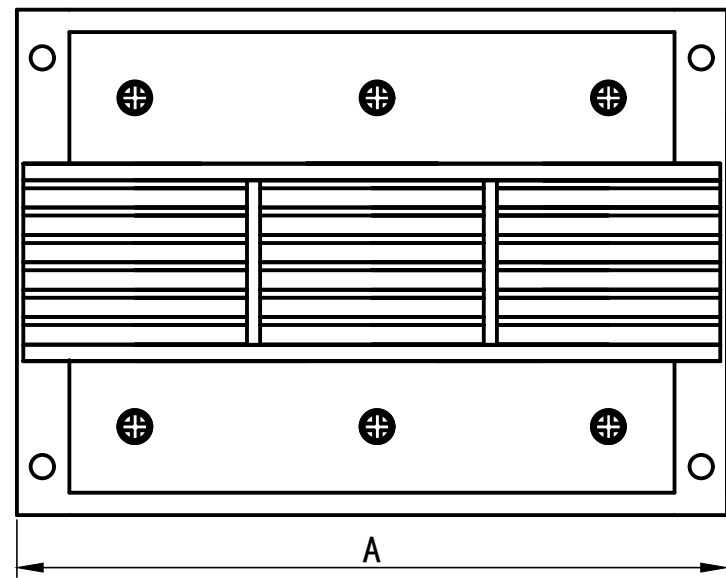


1. Mechanical Dimensions (mm) :



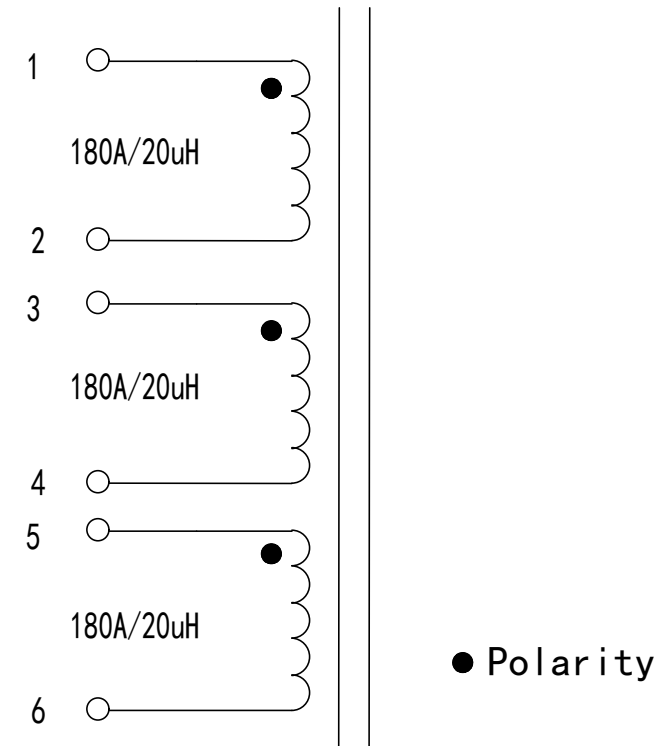
Bottom View

Notes:

- 1). Insulation system: Class B 130°C
- 2). Storage temperature: -40°C to 80°C
- 3). Operating temperature: -40°C to 130°C
- 4). Electrical and mechanical specifications 100% tested
- 5). RoHS compliant compatible

- A: 136.0 ± 1.0
- B: 110.0 ± 1.0
- C: 65.0 MAX
- D: 8.0 ± 1.0
- E: 33.0 REF
- F: 3.0 ± 0.5
- I: 50.0 ± 1.0
- J: 25.0 ± 1.0
- K: 15.0 ± 1.0
- L: 55.0 ± 1.0
- M: 15.0 ± 1.0
- N: 25.0 ± 1.0
- O: 40.0 ± 1.0
- P: 7.5 ± 0.5
- Q: 6.5 ± 0.5
- R: 124.0 ± 1.0
- S: 87.0 ± 1.0
- T: 5.0 ± 0.5

2. Schematic:



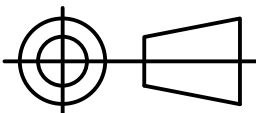
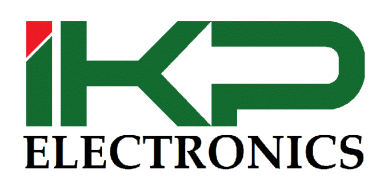
● Polarity

3. Electrical Specifications: @25°C

- 1). Rated current: 180A
- 2). Frequency: 50Hz
- 3). OCL: (1-2/3-4/5-6) = 20uH ref
@L=U/(2πfI) f=50Hz I=180A
- 4). DCR: (1-2/3-4/5-6) = 2mΩ max
- 5). Hipot: WDG to CORE 1.5kVac 60Hz 60Seconds
3mA max, no flashover
WDG to WDG 1.0kVac 60Hz 60Seconds
3mA max, no flashover

PROPRIETARY

Document is the property of IKP ELECTRONICS CO., LTD.
is not allowed to be duplicated without authorization.

				Title: Reactor	
				CUSTOMER P/N.	180A 20uH
				IKP P/N.	TS-EI130080-001R
A3	Updated	2020-08-19	Musk	 THIRD ANGLE PROJECTION	
A2	Updated	2020-07-28	Musk		
A1	Design	2020-06-05	Musk		
REV	DESCRIPTION	DATE	APPROVED		