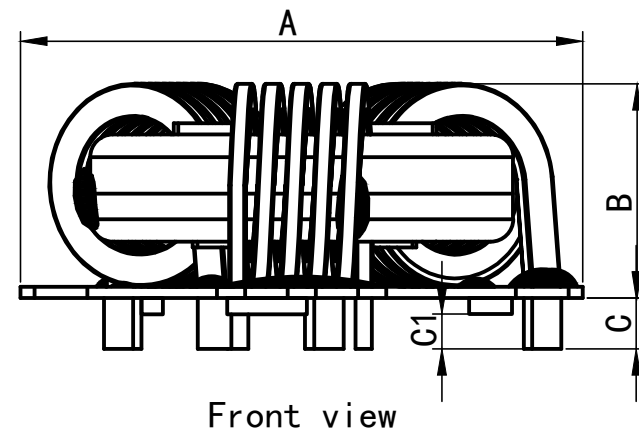
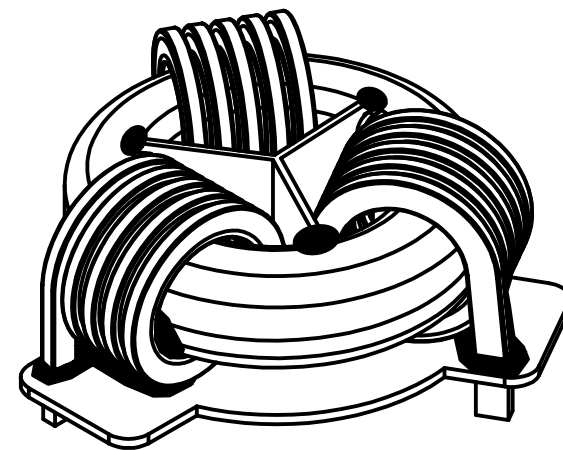
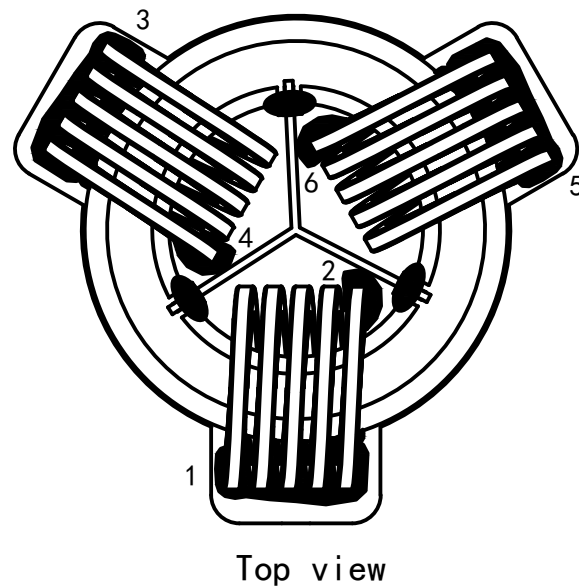
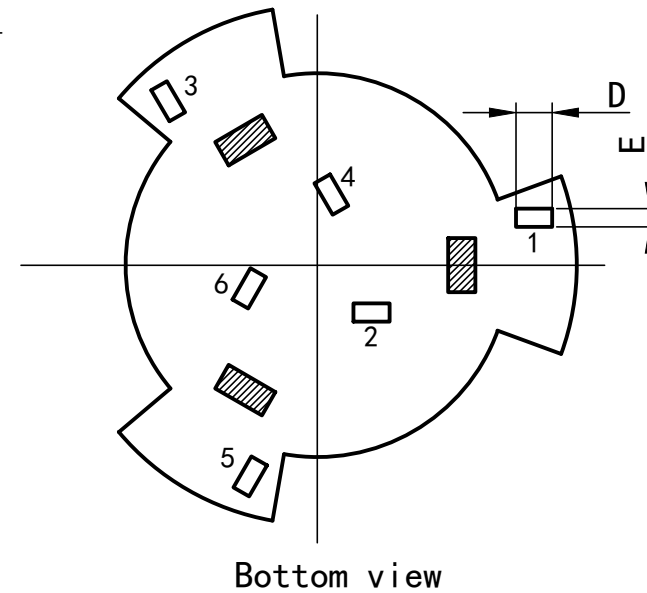


1. Mechanical Dimensions (mm) :



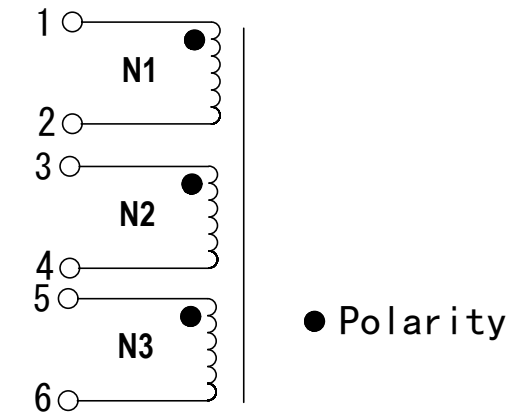
A: 120.0 MAX
 B: 55.0 MAX
 C: 8.0±1.0
 C1: 5.0±1.0
 D: 8.0±0.5
 E: 4.0±0.5



Notes:

- 1). Insulation system: Class B 130°C
- 2). Storage temperature: -20°C to 60°C
- 3). Operating temperature: -40°C to 125°C
- 4). Electrical and mechanical specifications 100% tested
- 5). RoHS compliant compatible

2. Schematic:



Item	Wire	Start	Finish	Turns
N1	Flat 4.0mm*8.0mm*1P	1	2	5Ref
N2	Flat 4.0mm*8.0mm*1P	3	4	5Ref
N3	Flat 4.0mm*8.0mm*1P	5	6	5Ref

Core: TDG T80*50*20 7K or equal

3. Electrical Specifications: @25°C

- 1). Rated current: 180A
- 2). OCL: Pins (N1/N2/N3) = 0.23mH min@16kHz, 0.1V, 0A_{dc}
- 3). DCR: Pins (N1/N2/N3) = 1.0mΩ max
- 4). Hipot: WDG to WDG 1.5kVac 50Hz 3Seconds
2mA max, no flashover

PROPRIETARY

Document is the property of IKP ELECTRONICS CO., LTD.
is not allowed to be duplicated without authorization.

				Title: Common Mode Choke	
				CUSTOMER P/N.	
				IKP P/N. LF-TR802000-003R-A	
A2	Updated	2020-07-29	Mark	 THIRD ANGLE PROJECTION	 IKP ELECTRONICS
A1	Design	2020-05-14	Mark		
REV	DESCRIPTION	DATE	APPROVED		