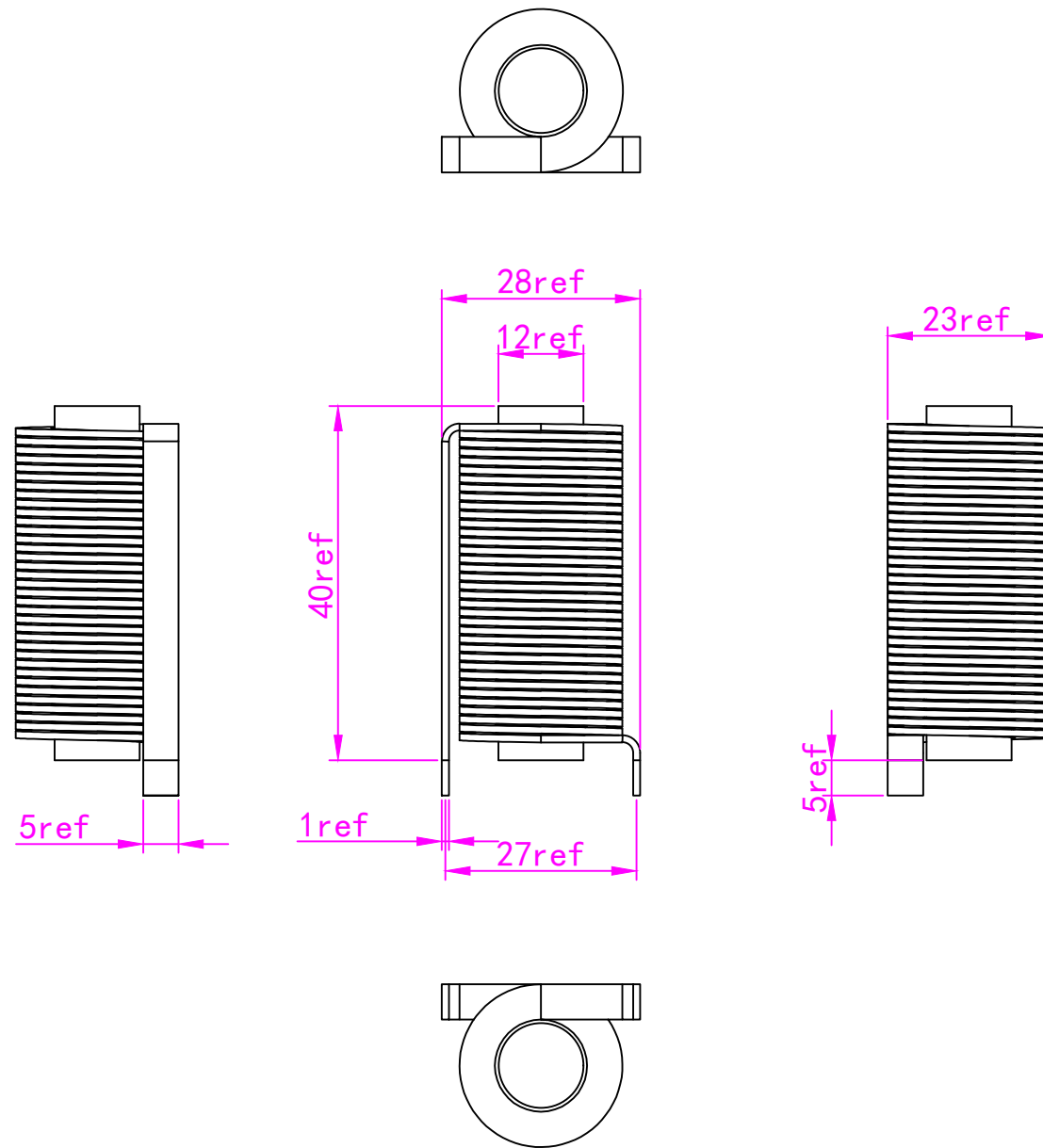
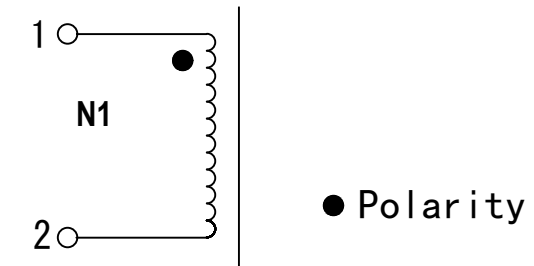


1. Mechanical Dimensions (mm) :



2. Schematic:



Item	Wire	Start	Finish	Turns
N1	AIW/EIW 1mm*5mm	1	2	20Ref

Z12x40 DN35H

3. Electrical Specifications:@20°C

- 1). OCL: Pins (1-2)=20.0uH ref@1kHz, 0.25V, 0Adc
- 2). DCR: Pins (1-2)=4.2mΩ ref
- 3). Weight: about 70g

Notes:

- 1). Insulation system: Glass B 130°C
- 2). Storage temperature: -20°C to 60°C, 75% RH max
- 3). Operating temperature: -40°C to 125°C
- 4). Electrical and mechanical specifications 100% tested
- 5). RoHS compliant compatible

REV	DESCRIPTION	DATE	APPROVED	Title: Flat wire Inductor	
A3	Updated	2022-04-30	Musk	CUSTOMER P/N.	
A2	Updat pin pitch from 24mm to 27mm	2022-01-21	Musk	IKP P/N.	LA-RR125000-001R
A1	Design	2022-01-19	Musk	 THIRD ANGLE PROJECTION	

PROPRIETARY

Document is the property of IKP ELECTRONICS CO., LTD.
is not allowed to be duplicated without authorization.