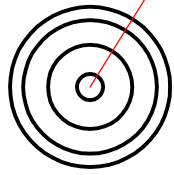
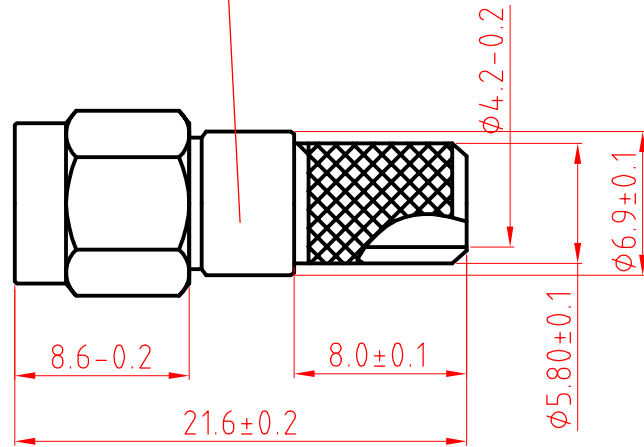


编号		修改标记 LTR	处数 PLACE	修改内容 REVISION	修改日期 DATE	修改人 NAME
----	--	-------------	-------------	------------------	--------------	-------------

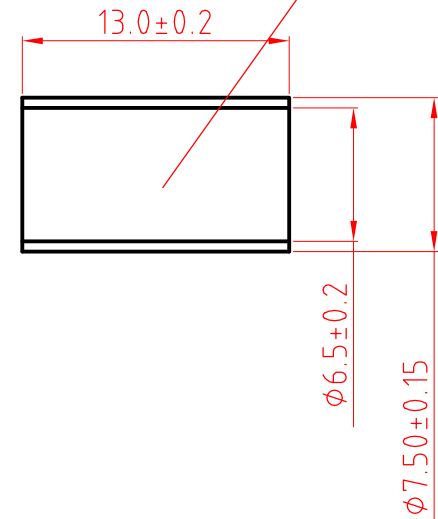
RPSMA Male Pin



Joint body



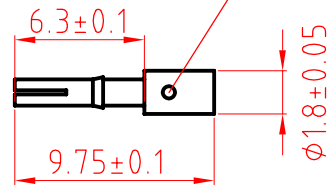
Crimp copper tube



Electrical Characteristics

1. The characteristic impedance of the connector is 50 ohms
2. Operating frequency: 0-3GHz
3. Mechanical durability: 500 times
4. Connector hexagon socket, the surface of the pressure line tail is gold-plated, and the pressure tube is nickel-plated

inner conductor



设计 DESIGNEDBY		产品名称	connector	NINGBO KLS ELECTRONIC CO.,LTD					
绘图 DRAWNBY		产品编号							
审核 CHECKEDBY		产品型号	L-KLS1-SMA-C-J4D	比例	4:1	数量	1	单位	mm
会签 FEAS.APV.BY		材料	Brass	视角		版本	A	1/1	
批准 APPROVEDBY		配接电缆	LMR240						