

# N Male Connector for LMR240 Cable

Part Number: STCON-NM-LMR240

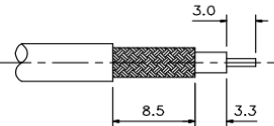
## Specifications

Part Number	STCON-NM-LMR240
Connector Type	N Male
Frequency	B/DC-10GHz
Impedance	50 Ω
Working Voltage	1000Vrms Max.
Dielectric Withstanding Voltage	2500Vrms Max.
Insulator Resistance	5000 MegaOhms Min.

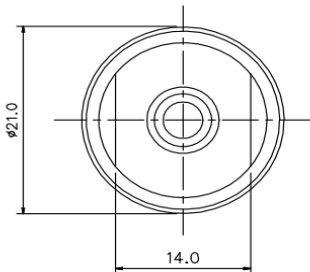


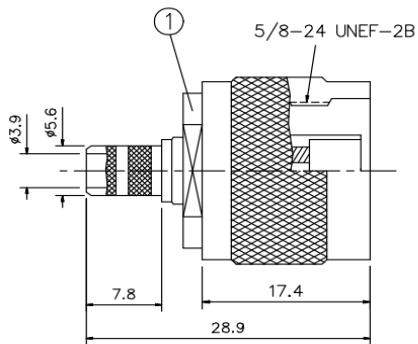
## Technical Drawing

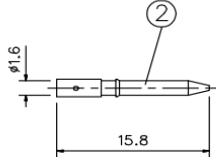
Patent Article	REV. A	Date 2015/10/30	Drawn Debra		
----------------	--------	-----------------	-------------	--	--

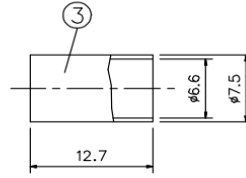


Recommended Cable Stripping DIM'S









ELECTRICAL PERFORMANCE :

- IMPEDANCE : 50 OHMS
- FREQUENCY : DC-6GHz
- WORKING VOLTAGE : 1000Vrms MAX.
- DIELECTRIC WITHSTANDING VOLTAGE : 2500Vrms MAX.
- INSULATOR RESISTANCE : 5000 MEGOHMS MIN.

NO.	DESCRIPTION	MATERIALS	FINISHED
1	BODY	BRASS	Nickel
	INSULATOR	PTFE	
	SHELL	BRASS	Nickel
	C-Ring	SUS304	
	GASKET	Silicon	
2	CONTACT	BRASS	Gold 5 μ"
3	FERRULE	BRASS	Nickel

RoHS COMPLIANCE    Unit : mm    Scale : NTS

TOLERANCE :

X=±0.2    X.X=±0.1    X.XX=±0.05

TITLE :

N Male S/T Crimp Type  
for LMR240 Cable

Disclaimer: All images are for reference purposes only

Revised | March 02 2022 (V1)

**Important Notice:** Information contained in this data sheet is believed to be reliable at the date of issue, however accuracy and completeness is not guaranteed. Satelcom holds the right to change the product specifications without notice.

