

# SMA-Male To N-Female Adaptor

Part Number: STCON-SMAM-NF

## Specifications

<b>Part Number</b>	<b>STCON-SMAM-NF</b>
<b>Contact</b>	SMA Male vs. N Female
<b>Frequency</b>	DC-6GHz
<b>Impedance</b>	50 Ω
<b>Working Voltage</b>	500Vrms Max.
<b>Dielectric Withstanding Voltage</b>	1000Vrms Max.
<b>Insulator Resistance</b>	5000 MegaOhms Min.
<b>VSWR</b>	1.2 Max
<b>IP Rating</b>	SMA Male IP67

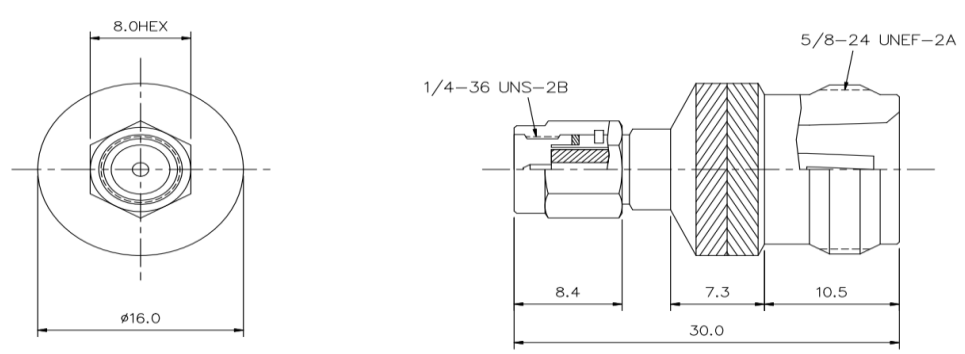


## Technical Drawing

REV.	Date	Drawn
A	2018/09/21	Debra

Patent Article			
----------------	--	--	--

ELECTRICAL PERFORMANCE :

IMPEDANCE : 50 OHMS  
 FREQUENCY : DC-6.0GHz  
 WORKING VOLTAGE : 500Vrms MAX.  
 DIELECTRIC WITHSTANDING VOLTAGE : 1000Vrms MAX.  
 INSULATOR RESISTANCE : 5000 MEGOHMS MIN.  
 VSWR : 1.2 Max.

NO.	DESCRIPTION	MATERIALS	FINISHED
1	BODY	BRASS	Nickel
	CONTACT	P.B.	Gold 5μ"
	INSULATOR	PTFE	
	SHELL	BRASS	Nickel
	C-Ring	Be. Copper	
	GASKET	Silicon	

RoHS COMPLIANCE	Unit :mm	Scale :NTS
TOLERANCE :		
X=±0.2 X,X=±0.1 X,XX=±0.05		
TITLE :		
SMA Male TO N Female		

Disclaimer: All images are for reference purposes only

Revised | March 02 2022 (V1)

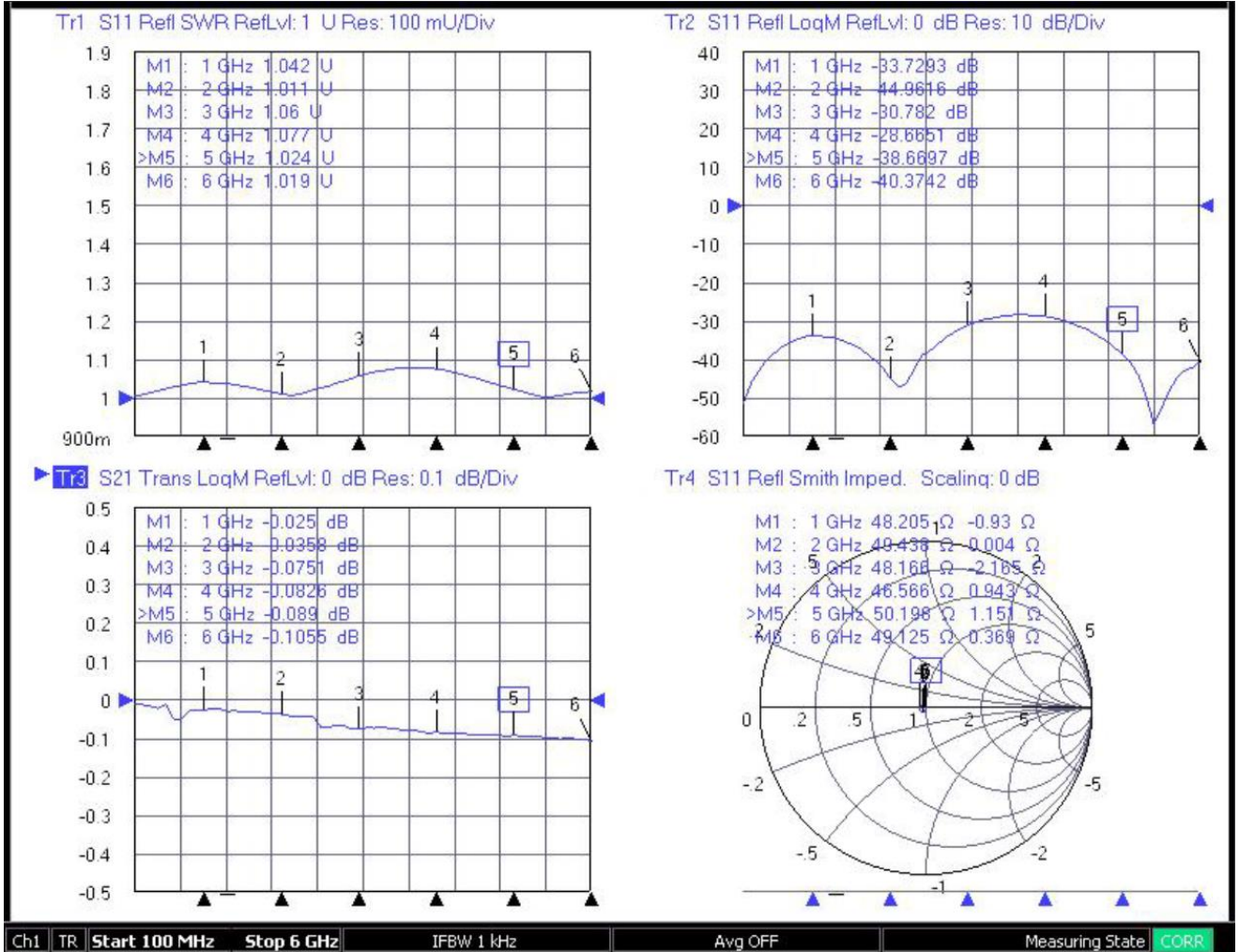
**Important Notice:** Information contained in this data sheet is believed to be reliable at the date of issue, however accuracy and completeness is not guaranteed. Satelcom holds the right to change the product specifications without notice.



# SMA-Male To N-Female Adaptor

Part Number: STCON-SMAM-NF

## Test Report



Disclaimer: All images are for reference purposes only

Revised | March 02 2022 (V1)

**Important Notice:** Information contained in this data sheet is believed to be reliable at the date of issue, however accuracy and completeness is not guaranteed. Satecom holds the right to change the product specifications without notice.

