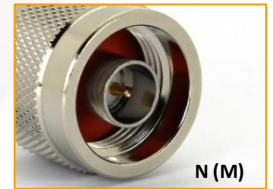
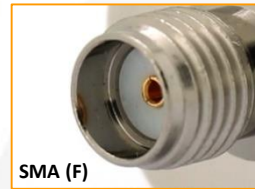


SMA-Female To N-Male Adaptor

Part Number: STCON-SMAF-NM

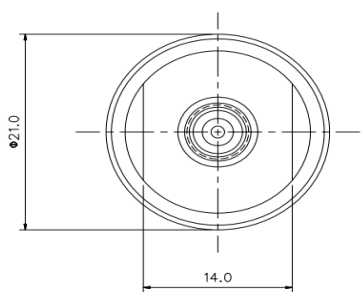
Specifications

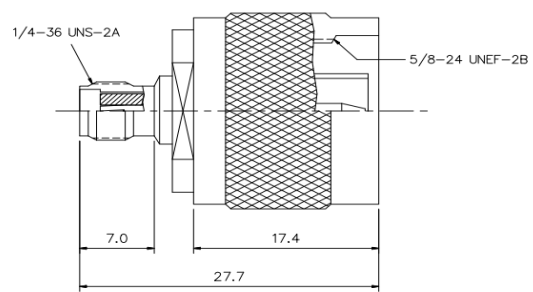
| | |
|---------------------------------|-----------------------|
| Part Number | STCON-SMAF-NM |
| Contact | SMA Female vs. N Male |
| Frequency | DC-6GHz |
| Impedance | 50 Ω |
| Working Voltage | 1000Vrms Max. |
| Dielectric Withstanding Voltage | 2500Vrms Max. |
| Insulator Resistance | 5000 MegaOhms Min. |
| VSWR | 1.2 Max |



Technical Drawing

| Patent Article | REV. | Date | Drawn |
|----------------|------|------------|-------|
| | A | 2018/09/18 | Debra |





ELECTRICAL PERFORMANCE :

IMPEDANCE : 50 OHMS
 FREQUENCY : DC-6GHz
 WORKING VOLTAGE : 1000Vrms MAX.
 DIELECTRIC WITHSTANDING VOLTAGE : 2500Vrms MAX.
 INSULATOR RESISTANCE : 5000 MEGOHMS MIN.
 VSWR : 1.2 Max.

| NO. | DESCRIPTION | MATERIALS | FINISHED |
|-----|-------------|-----------|----------|
| 1 | BODY | BRASS | Nickel |
| | CONTACT | P.B. | Gold 5μ" |
| | INSULATOR | PTFE | |
| | SHELL | BRASS | Nickel |
| | C-Ring | SUS304 | |
| | GASKET | Silicon | |

| | | |
|----------------------------|-----------|-------------|
| RoHS COMPLIANCE | Unit : mm | Scale : NTS |
| TOLERANCE : | | |
| X=±0.2 X.X=±0.1 X.XX=±0.05 | | |
| TITLE : | | |
| SMA Female TO N Male | | |

Disclaimer: All images are for reference purposes only

Revised | March 02 2022 (V1)

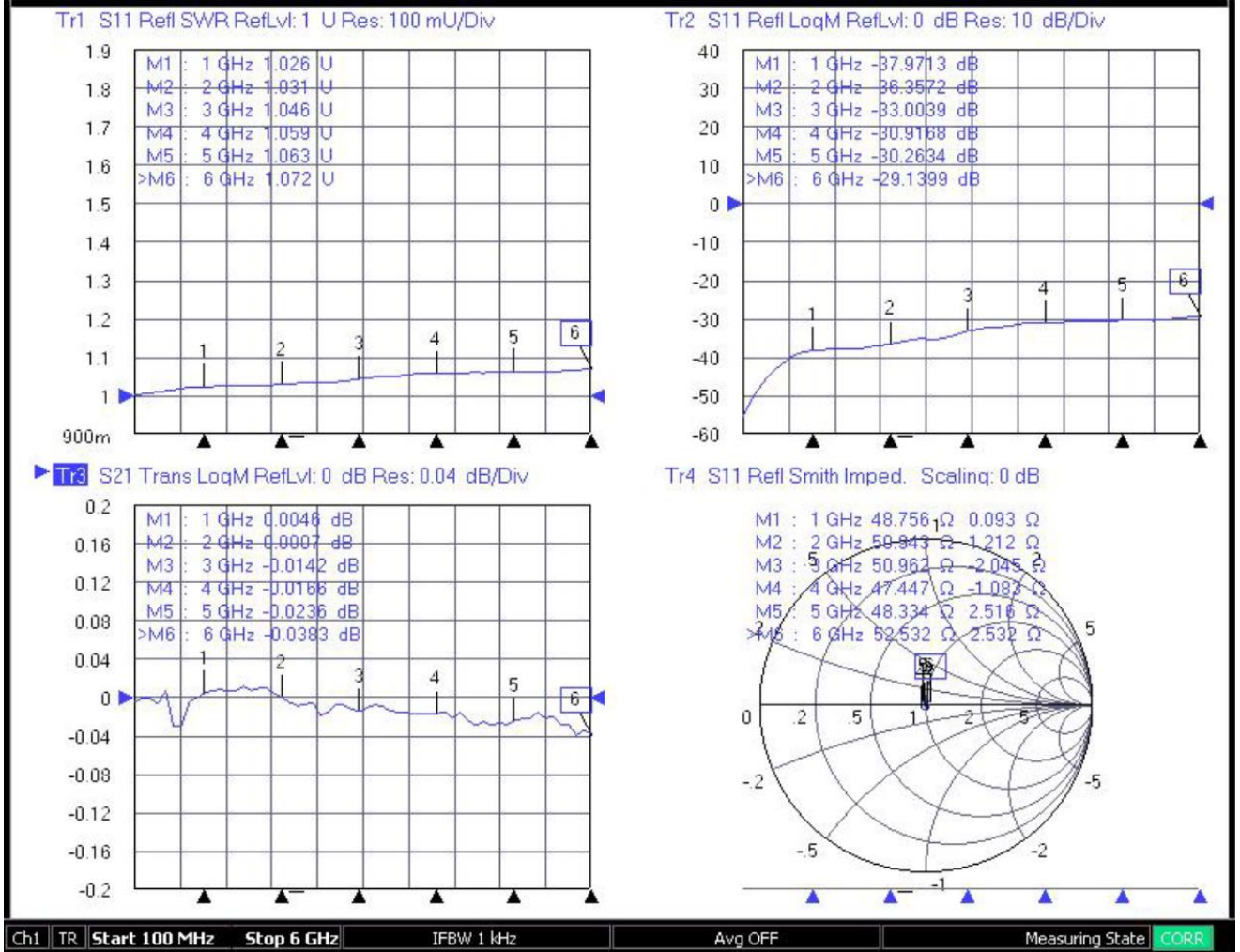
Important Notice: Information contained in this data sheet is believed to be reliable at the date of issue, however accuracy and completeness is not guaranteed. Satelcom holds the right to change the product specifications without notice.



SMA-Female To N-Male Adaptor

Part Number: STCON-SMAF-NM

Test Report



Disclaimer: All images are for reference purposes only

Revised | March 02 2022 (V1)

Important Notice: Information contained in this data sheet is believed to be reliable at the date of issue, however accuracy and completeness is not guaranteed. Satelcom holds the right to change the product specifications without notice.

