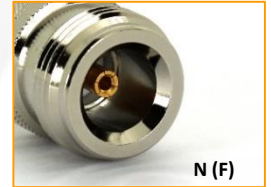
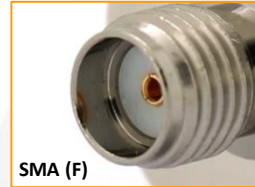


SMA-Female To N-Female Adaptor

Part Number: STCON-SMAF-NF

Specifications

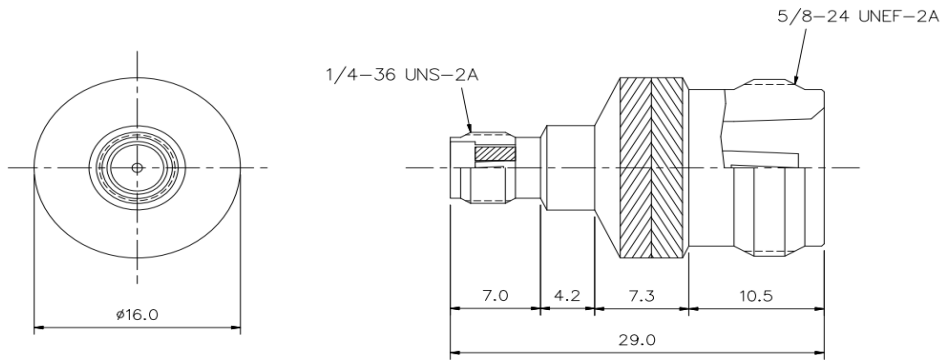
Part Number	STCON-SMAF-NF
Contact	SMA Female vs. N Female
Frequency	DC-6GHz
Impedance	50 Ω
Working Voltage	500Vrms Max.
Dielectric Withstanding Voltage	1000Vrms Max.
Insulator Resistance	5000 MegaOhms Min.
VSWR	1.2 Max



Technical Drawing

Patent Article

REV.	Date	Drawn
A	2018/08/14	Debra



ELECTRICAL PERFORMANCE :

IMPEDANCE : 50 OHMS
 FREQUENCY : DC-6.0GHz
 WORKING VOLTAGE : 500Vrms MAX.
 DIELECTRIC WITHSTANDING VOLTAGE : 1000Vrms MAX.
 INSULATOR RESISTANCE : 5000 MEGOHMS MIN.
 VSWR : 1.2 Max.

NO.	DESCRIPTION	MATERIALS	FINISHED
1	BODY	BRASS	Nickel
	CONTACT	P.B.	Gold 5 μ"
	INSULATOR	PTFE	

RoHS COMPLIANCE	Unit : mm	Scale : NTS
TOLERANCE :		
X = ±0.2 X.X = ±0.1 X.XX = ±0.05		
TITLE :		
SMA Female TO N Female		

Disclaimer: All images are for reference purposes only

Revised | March 02 2022 (V1)

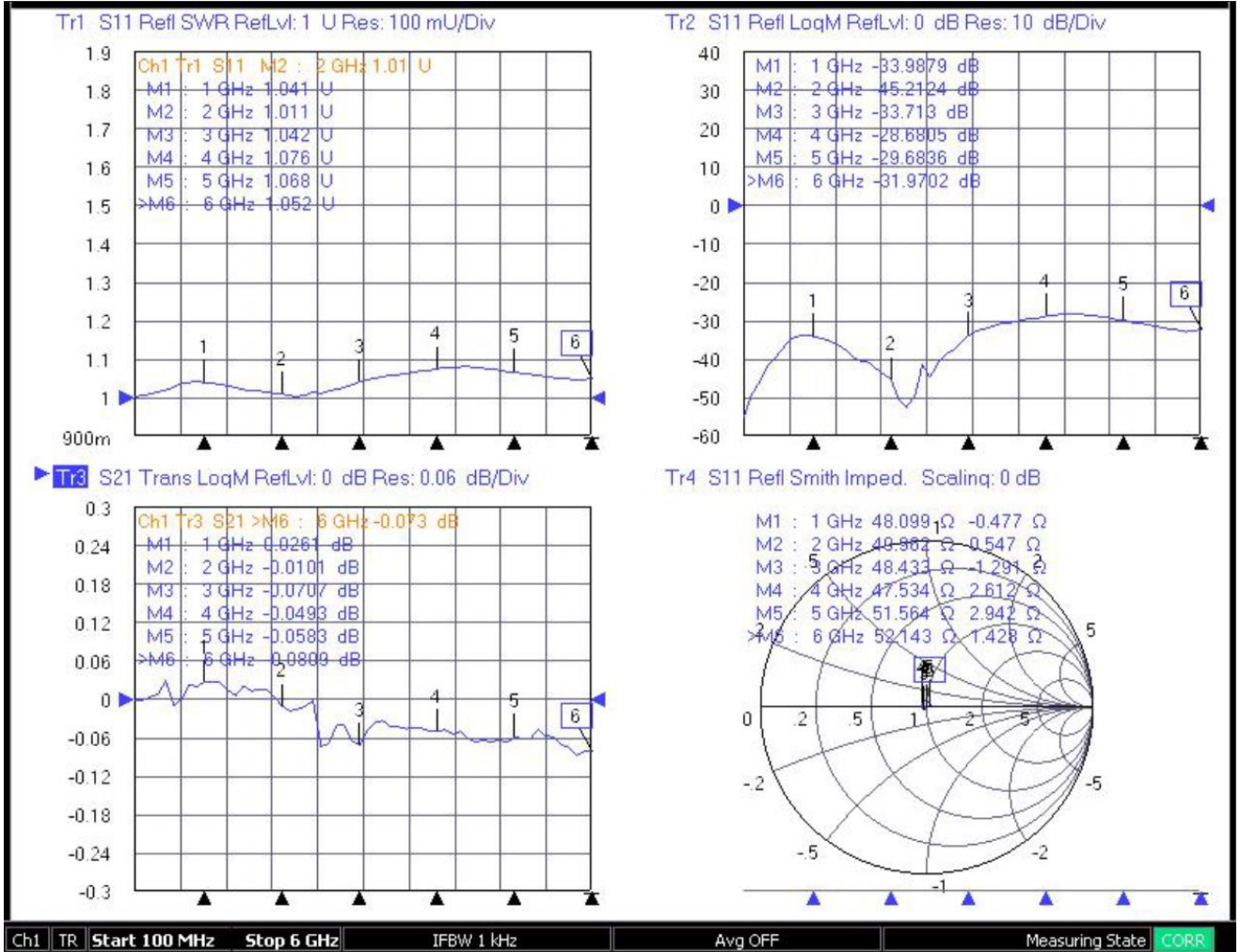
Important Notice: Information contained in this data sheet is believed to be reliable at the date of issue, however accuracy and completeness is not guaranteed. Satelcom holds the right to change the product specifications without notice.



SMA-Female To N-Female Adaptor

Part Number: STCON-SMAF-NF

Test Report



Disclaimer: All images are for reference purposes only

Revised | March 02 2022 (V1)

Important Notice: Information contained in this data sheet is believed to be reliable at the date of issue, however accuracy and completeness is not guaranteed. Satelcom holds the right to change the product specifications without notice.

