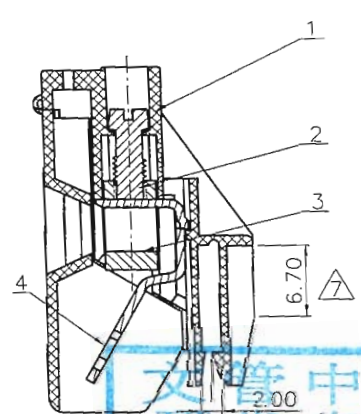
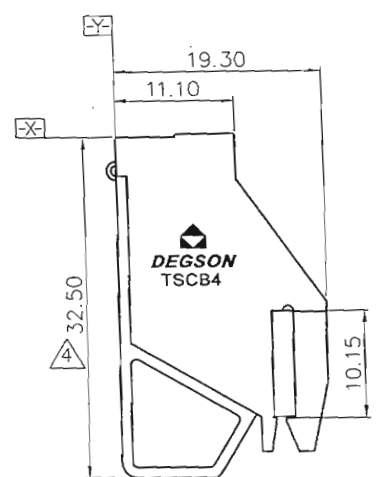
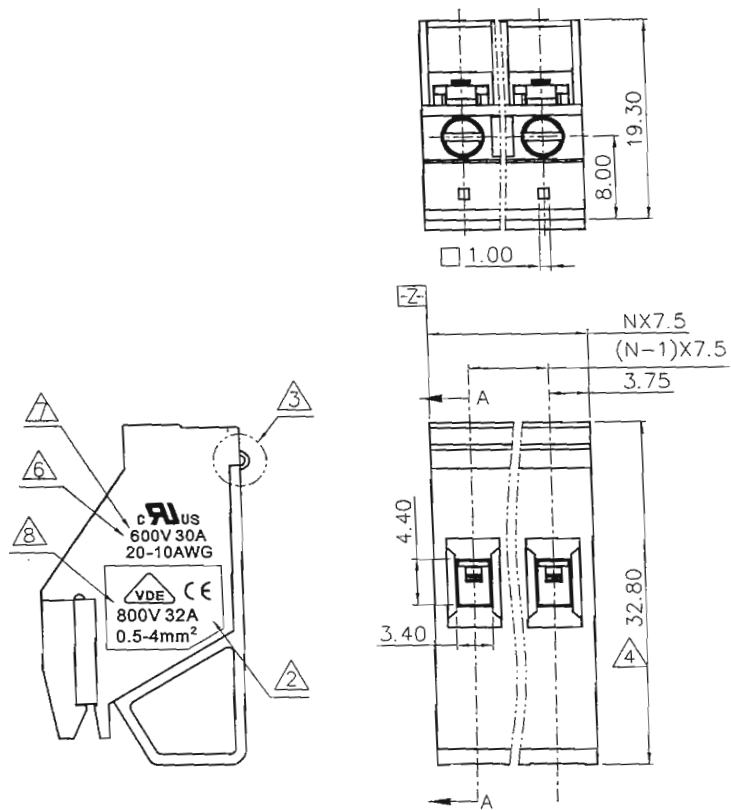


| REVISION RECORD |         |   |        |          |
|-----------------|---------|---|--------|----------|
| REV             | ECN     | DESCRIPTION   | DRFT   | DATE     |
| △               |         | 增加UL刻字  | LJH    | 03/20/08 |
| △               |         | 增加VDE\CE刻字及参数   | Zengyi | 07/01/08 |
| △               |         | 整理图面  | Zengyi | 08/25/08 |
| △               | 11-0020 | 改善折弯断裂  | HXG    | 03/20/10 |
| △               | 11-0221 | 卡轨道处结构变更  | HXC    | 12/29/12 |
| △               | 13-0274 | 产品升级为600V, 结构及认证参数变更  | COCO   | 12/02/13 |
| △               | 14-0131 | 1. 新增一道卡扣, 加强盖板扣紧力<br>2. UL电气参数20A变更为30A;<br>3. 更改卡臂结构, 与骨架配合牢固 | ZDZ    | 05/15/14 |
| △               | 15-0021 | 重新通过VDE认证, 电压由450V变更为600V                                       | XHY    | 01/10/15 |



- NOTES:
1. DIMENSION SHALL BE INTERPRETED PER ASME Y14.5-2009.
  2. PITCH: 7.5MM ,POLES: N=1~3P
  3. RATED VOLTAGE/CURRENT: UL 600V/30A △  
VDE 800V/32A △
  4. OPERATION TEMPERATURES: -40℃~+105℃
  5. WITHSTANDING VOLTAGE: AC2500V/1MIN.
  6. INSULATION RESISTANCE: 5000MΩ/DC1000V
  7. WIRE RANGE: 20~10AWG, 0.5-4MM<sup>2</sup>
  8. TORQUE VALUE: M3.0, 5.10kgf.cm
  9. UNDIMENSIONED TOLERANCES:

| PITCH RANGE<br>IN MM |              | NOMINAL DIMENSION RANGE<br>IN MM |               |               |               |                |             |         |
|----------------------|--------------|----------------------------------|---------------|---------------|---------------|----------------|-------------|---------|
|                      | OVER<br>6 TO | OVER<br>10 TO                    | OVER<br>24 TO | OVER<br>30 TO | OVER<br>60 TO | OVER<br>100 TO | OVER<br>150 | ∩       |
|                      | TO 6         | TO 10                            | TO 24         | TO 30         | TO 60         | TO 100         | TO 150      | ◇       |
|                      | ±0.10        | ±0.15                            | ±0.25         | ±0.20         | ±0.30         | ±0.50          | ±0.70       | ±1.00   |
|                      |              |                                  |               |               |               |                |             | 0.05/10 |

| ITEM | NAME OF PART     | NO. OF PART   | Q'TY | MATERIAL | NOTES      |
|------|------------------|---------------|------|----------|------------|
| 4    | TSCB 4-Pin       | 7009B00010(H) | XX   | Copper   | Tin plated |
| 3    | DG950 Barss cage | X000000310(H) | XX   | Brass    | Ni plated  |
| 2    | TSCB 4-Screw     | S000002530(H) | XX   | Brass    | Ni plated  |
| 1    | TSCB 4-housing   | 7009A15XXA(H) | 1    | PA66     | UL94V-0    |

|                        |                            |                            |                            |                         |   |  |
|------------------------|----------------------------|----------------------------|----------------------------|-------------------------|---|--|
| DETACHED LISTS         | MM<br>(INCH)               |                            | MATERIAL:                  |                         | 宁波高正电子有限公司<br>DEGSON® DEGSON ELECTRONICS CO., LTD |  |
|                        | TOLERANCES EXCEPT AS NOTED |                            | FINISH:                    |                         |   |  |
|                        | PART NO.:                  |                            | NAME:                      |                         | TSCB4-XXP-15-01A(H)                               |  |
|                        | .X ±<br>.XX ±<br>.XXX ±    |                            | .X* ±<br>.XX* ±<br>.XXX* ± |                         |   |  |
| ANGLES ± 1°            |                            | APPD: <i>Amson 1/16-15</i> |                            | TITLE: ASSEMBLY DRAWING |   |  |
| THIRD ANGLE PROJECTION |                            | CHKD: <i>Amson 1/16/15</i> |                            | DRAWING NO.: TSCB4-E02  |   |  |
| DRFT: COCO 12/02/13    |                            | DO NOT SCALE DRAWING       |                            | SCALE                   | N/A   |  |
|                        |                            | SHEET                      |                            | REV                     | T8  |  |
|                        |                            |                            |                            | 1/1                     |   |  |