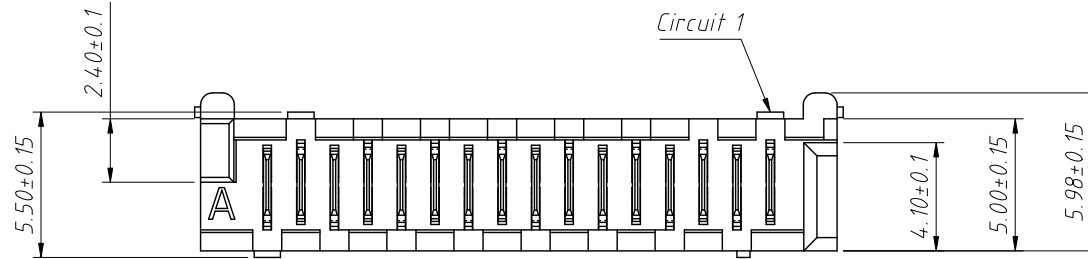
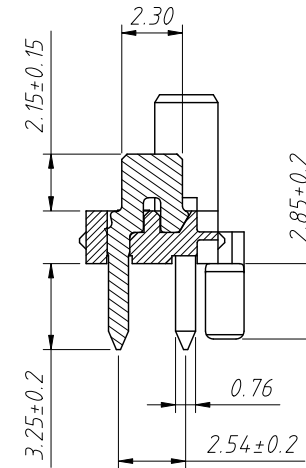
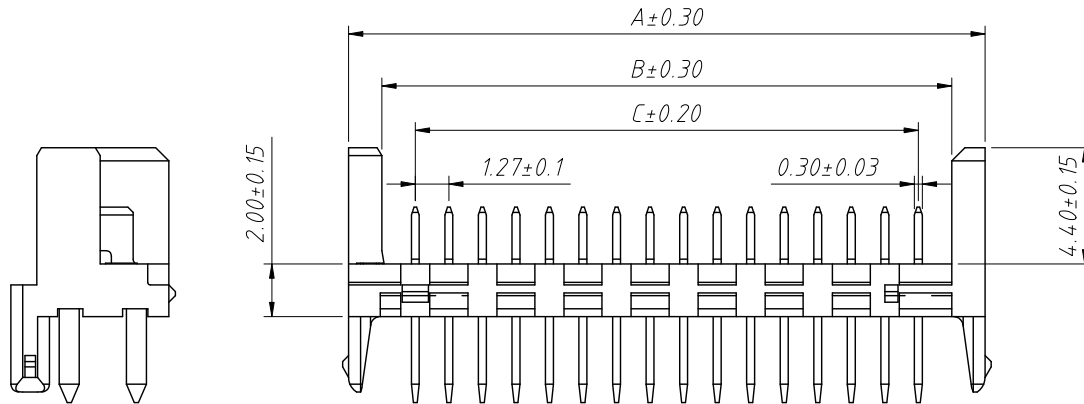


1 RoHS Compliance

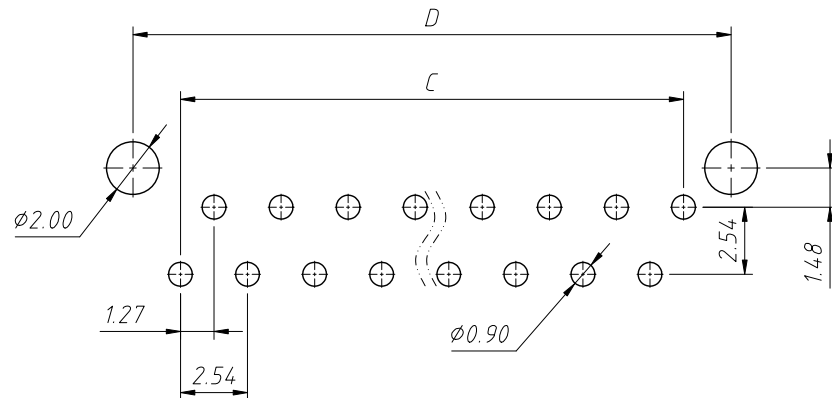


Material:
Housing:PA6T/PBT,UL 94V-0
Contacts:Brass
Plating: Tin plated

Electrical Characteristics:
Current Rating:2.4A AC,DC
Withstand Voltage:500V AC/minute
Insulator Resistance: 1000M Ω min.
Contact Resistance:20m Ω max.
Operating Temperature: -40°C ~ +105°C



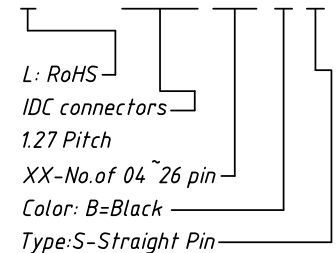
Pin	Dimension mm			
	A	B	C	D
4	8.86	6.35	3.81	7.41
6	11.40	8.89	6.35	9.95
8	13.94	11.43	8.89	12.49
10	16.48	13.94	11.43	15.03
12	19.02	16.51	13.97	17.57
14	21.56	19.05	16.51	20.11
16	24.10	21.59	19.05	22.65
18	26.64	24.13	21.59	25.19
20	29.18	26.67	24.13	27.73
22	31.72	29.21	26.67	30.27
24	34.26	31.75	29.21	32.81
26	36.80	34.29	31.75	35.35



Recommended PCB Layout (Top Side)
(PCB BOARD TOLERANCE ± 0.05)

Order Information:

L-KLS1-204DT-XXP-B-S

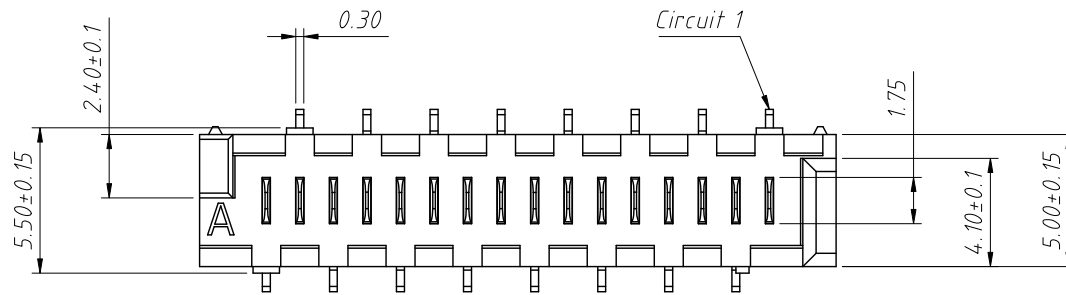


ANGLE TOLERANCE	PROJECTION	Description:	1.27mm Pitch molex90325 Picofle IDC DIP 180 Connector
$\pm 3^\circ$			
GENERAL TOLERANCE	UNITS	mm	KLS P/N:
x.x ± 0.30	SHEET SIZE	A4	L-KLS1-204DT-XXP-B-S
x.xx ± 0.20	Draw:	Daniel	2018-07-10
x.xxx ± 0.10	Check:	Daniel	2018-07-10



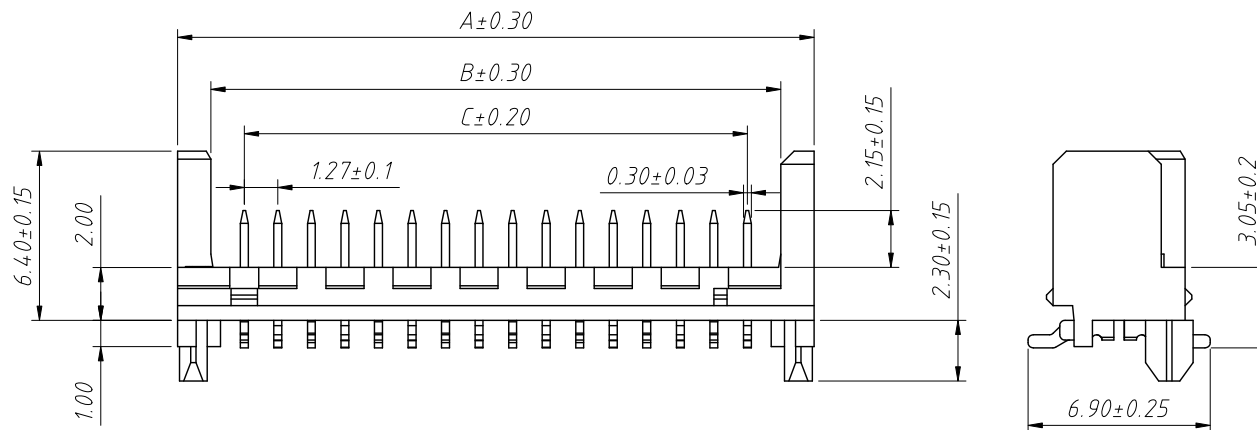
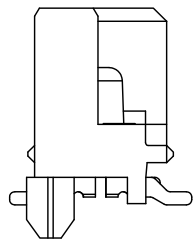
NingBo KLS ELECTRONIC CO.,L.TD.

1 RoHS Compliance

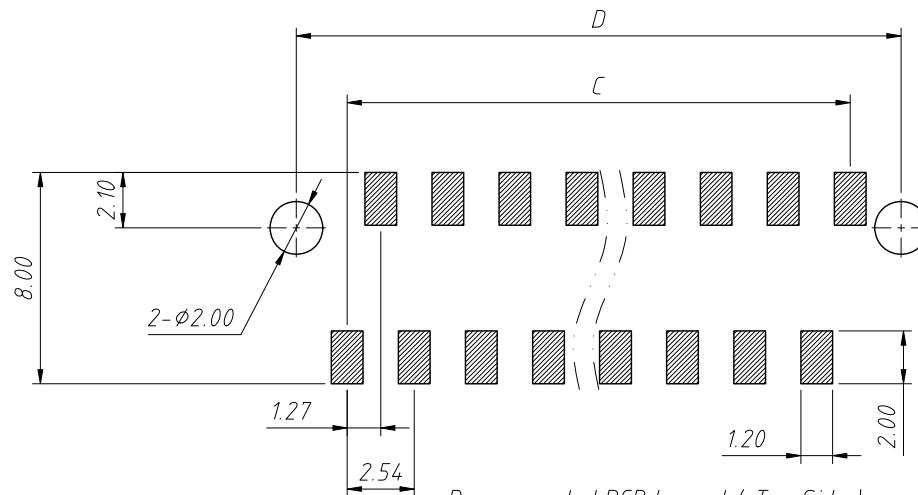


Material:
Housing:PA6T/PBT,UL 94V-0
Contacts:Brass
Plating: Tin plated

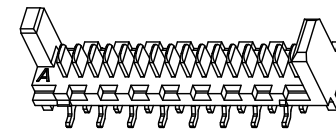
Electrical Characteristics:
Current Rating:2.4A AC,DC
Withstand Voltage:500V AC/minute
Insulator Resistance: 1000M Ω min.
Contact Resistance:20m Ω max.
Operating Temperature: -40°C ~ +105°C



Pin	Dimension mm			
	A	B	C	D
4	8.86	6.35	3.81	7.66
6	11.40	8.89	6.35	10.20
8	13.94	11.43	8.89	12.74
10	16.48	13.94	11.43	15.28
12	19.02	16.51	13.97	17.82
14	21.56	19.05	16.51	20.36
16	24.10	21.59	19.05	22.90
18	26.64	24.13	21.59	25.44
20	29.18	26.67	24.13	27.98
22	31.72	29.21	26.67	30.52
24	34.26	31.75	29.21	33.06
26	36.80	34.29	31.75	35.60



Recommended PCB Layout (Top Side)
(PCB BOARD TOLERANCE ± 0.05)



Order Information:

L-KLS1-204DT-XXP-W-TCR

L: RoHS
IDC connectors
1.27 Pitch
XX-No. of 04 ~ 26 pin
Color: W=White
Type:SMT,CAP+REEL

ANGLE TOLERANCE	PROJECTION	Description:	1.27mm Pitch molex \times 90814 Picofle IDC SMT Connector
$\pm 3^\circ$			
GENERAL TOLERANCE	UNITS	mm	KLS P/N: L-KLS1-204DT-XXP-W-TCR
x.x ± 0.30	SHEET SIZE	A4	
x.xx ± 0.20	Draw:	Daniel	2018-07-10
x.xxx ± 0.10	Check:	Daniel	2018-07-10



NingBo KLS ELECTRONIC CO.,L.TD.