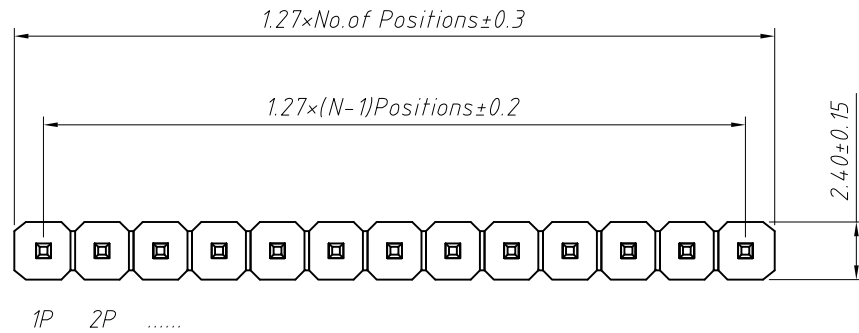
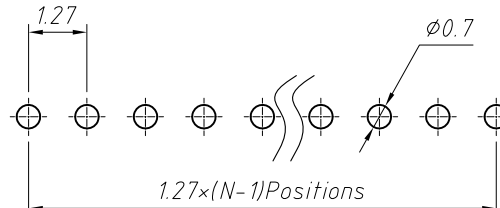


1 RoHS Compliance



Recommended P.C.B Layout (Top Side)  
(PCB BOARD TOLERANCE±0.05)



**Material:**  
Standard: PA6T  
Contact: Brass  
Insulator: Polyester, UL94V-0

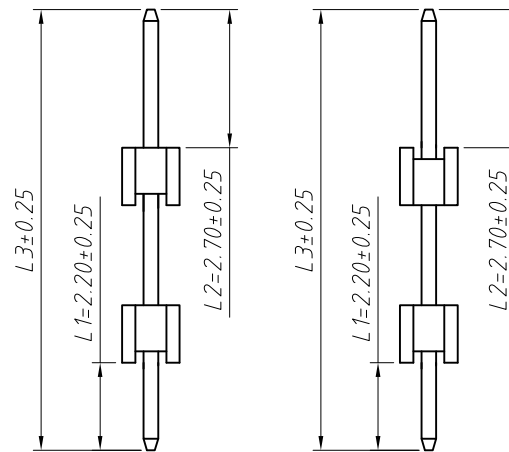
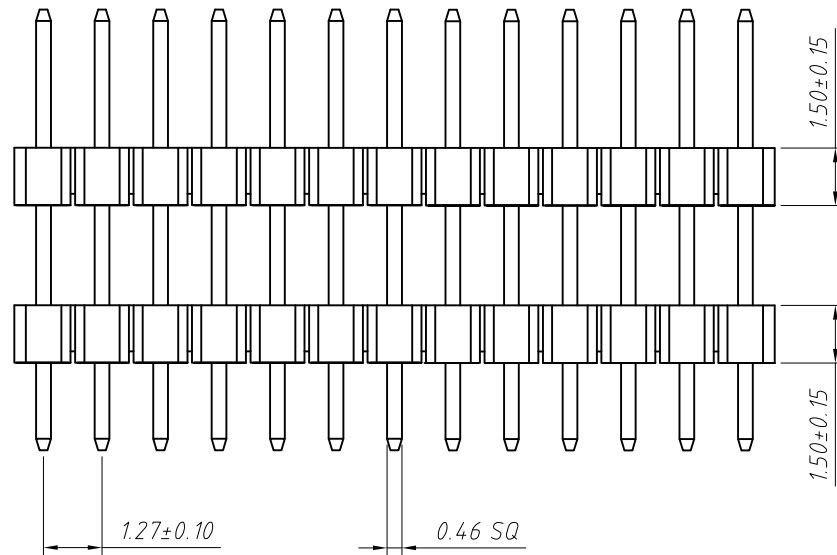
**Electrical Characteristics:**  
Rated Current: 1AMP  
Contact Resistance: 20mΩ Max  
Withstand Voltage: 500V AC/DC  
Insulator Resistance: 1000MΩ Min

**Mechanical**  
Operating Temperature: -40°C ~ +105°C  
Max. Processing Temp: 180°C for 30-60 seconds  
(200°C for 10 seconds)

**Order Information:**

L-KLS1-218C-1.50-1-XX-S-L1xL2xL3-G0

L: RoHS  
Pin Header Series  
218C: 1.27mm  
Plastics Height: 1.00, 1.50, 1.70, 2.00, 2.50 mm  
Per Row: Single layer  
Pin: No. of Pins (1x40)  
Straight Pin: S Type, S1 Type  
Size: L1xL2xL3  
Plating:  
G0=Gold Flash G1=1u" Gold  
G10=10u" Gold G15=15u" Gold  
G30=30u" Gold



S Type

S1 Type

Dimension antitheses list (mm)

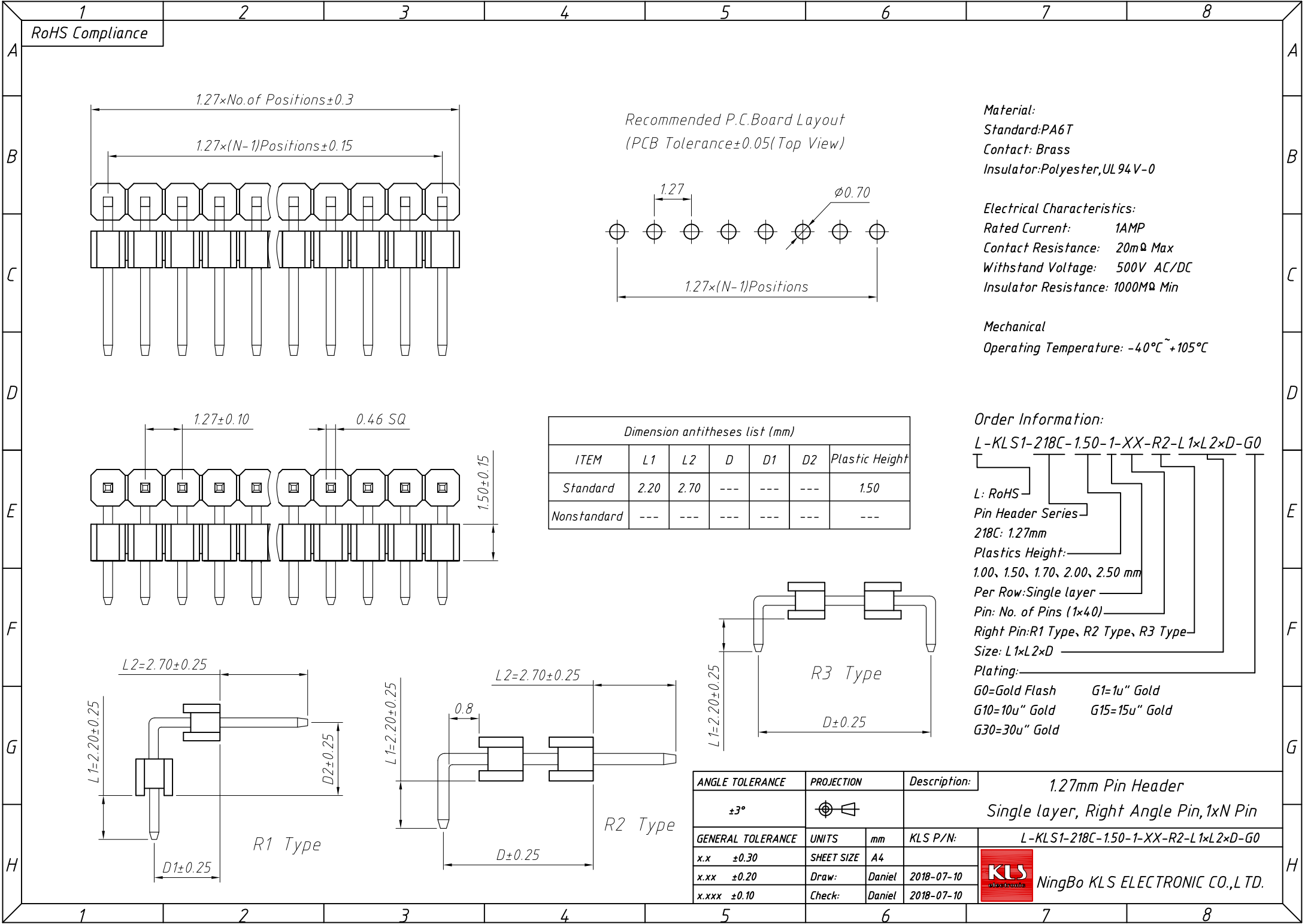
ITEM	L1	L2	L3	Plastic Height
Standard	2.20	2.70	---	1.50
Nonstandard	---	---	---	---

ANGLE TOLERANCE	PROJECTION	Description:
±3°		1.27mm Pin Header Single layer, Straight Pin, 1xN Pin
GENERAL TOLERANCE	UNITS	mm
x.x ±0.30	SHEET SIZE	A4
x.xx ±0.20	Draw:	Daniel 2018-07-10
x.xxx ±0.10	Check:	Daniel 2018-07-10



NingBo KLS ELECTRONIC CO.,L TD.

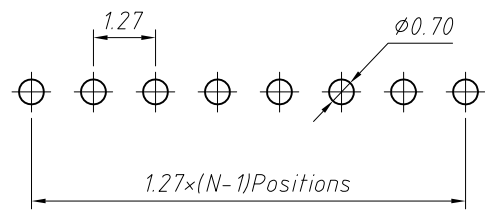
1  
RoHS Compliance



$1.27 \times \text{No. of Positions} \pm 0.3$

$1.27 \times (N-1) \text{ Positions} \pm 0.15$

Recommended P.C. Board Layout  
(PCB Tolerance  $\pm 0.05$  (Top View))



**Material:**  
Standard: PA6T  
Contact: Brass  
Insulator: Polyester, UL 94V-0

**Electrical Characteristics:**  
Rated Current: 1AMP  
Contact Resistance: 20mΩ Max  
Withstand Voltage: 500V AC/DC  
Insulator Resistance: 1000MΩ Min

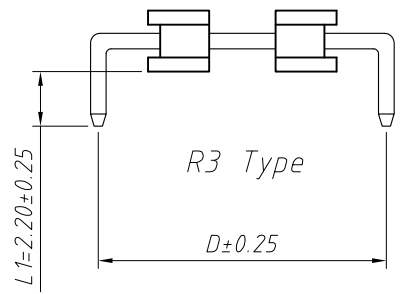
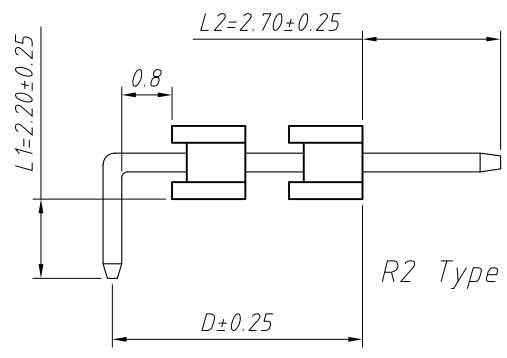
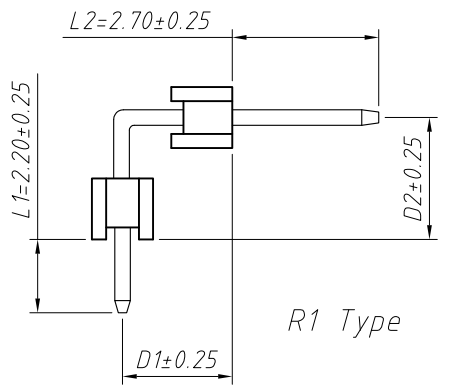
**Mechanical**  
Operating Temperature:  $-40^{\circ}\text{C} \sim +105^{\circ}\text{C}$

$1.27 \pm 0.10$        $0.46 \text{ SQ}$

Dimension antitheses list (mm)						
ITEM	L1	L2	D	D1	D2	Plastic Height
Standard	2.20	2.70	---	---	---	1.50
Nonstandard	---	---	---	---	---	---

**Order Information:**  
L-KLS1-218C-1.50-1-XX-R2-L1xL2xD-G0

L: RoHS  
Pin Header Series: 218C: 1.27mm  
Plastics Height: 1.00, 1.50, 1.70, 2.00, 2.50 mm  
Per Row: Single layer  
Pin: No. of Pins (1x40)  
Right Pin: R1 Type, R2 Type, R3 Type  
Size: L1xL2xD  
Plating:  
G0=Gold Flash      G1=1u" Gold  
G10=10u" Gold      G15=15u" Gold  
G30=30u" Gold

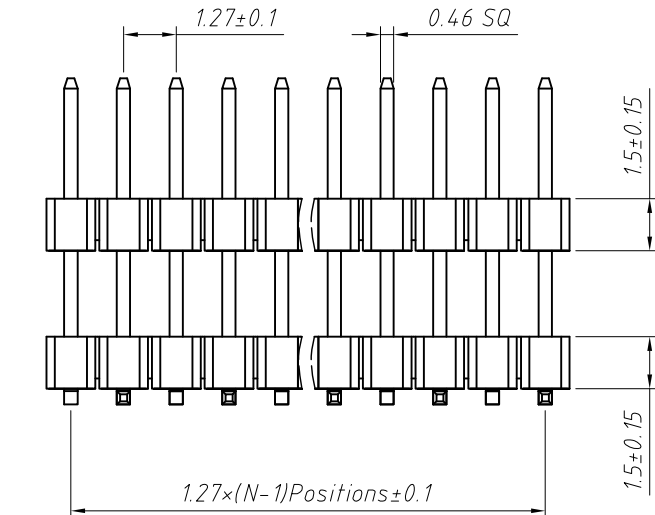
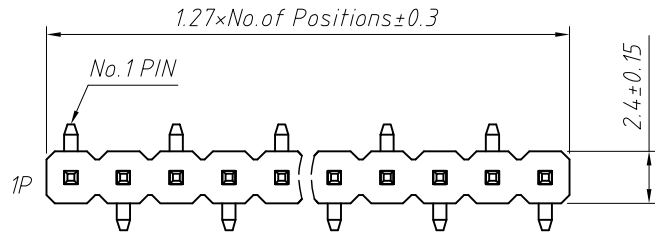
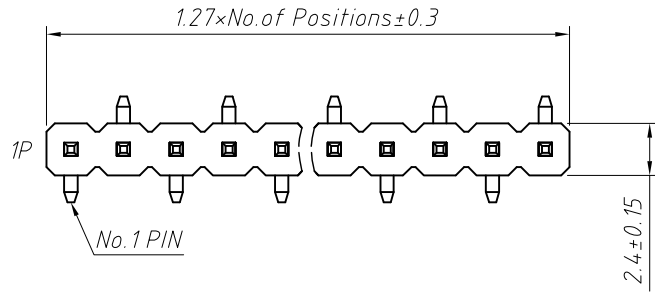


ANGLE TOLERANCE	PROJECTION	Description:
$\pm 3^{\circ}$		1.27mm Pin Header Single layer, Right Angle Pin, 1xN Pin
GENERAL TOLERANCE	UNITS	mm
x.x	$\pm 0.30$	SHEET SIZE A4
x.xx	$\pm 0.20$	Draw: Daniel 2018-07-10
x.xxx	$\pm 0.10$	Check: Daniel 2018-07-10

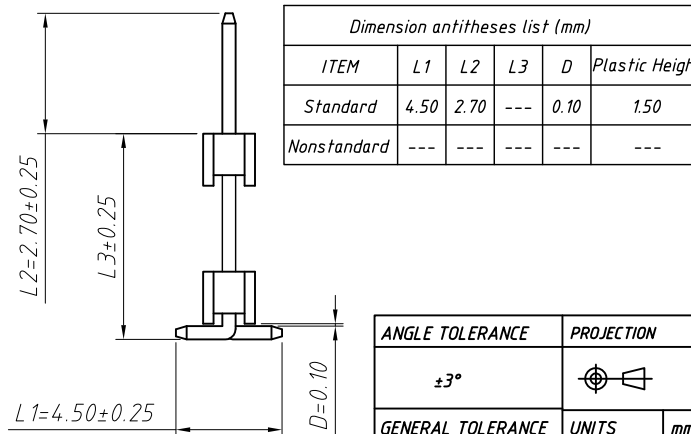
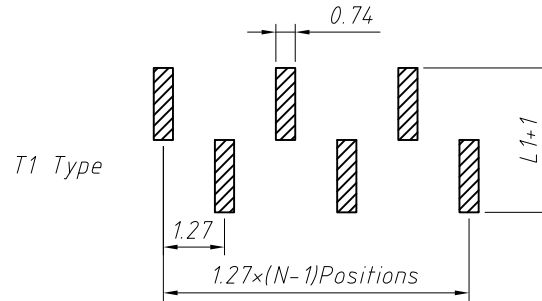
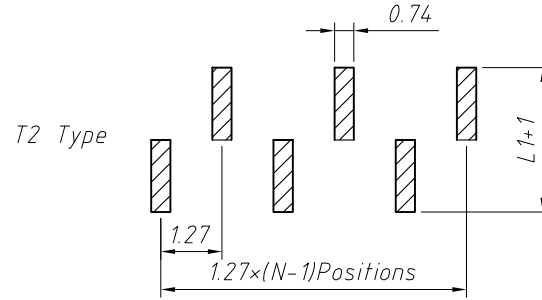
L-KLS1-218C-1.50-1-XX-R2-L1xL2xD-G0

NingBo KLS ELECTRONIC CO.,LTD.

1 RoHS Compliance



Recommended P.C.B Layout (Top Side)  
(PCB BOARD TOLERANCE±0.05)



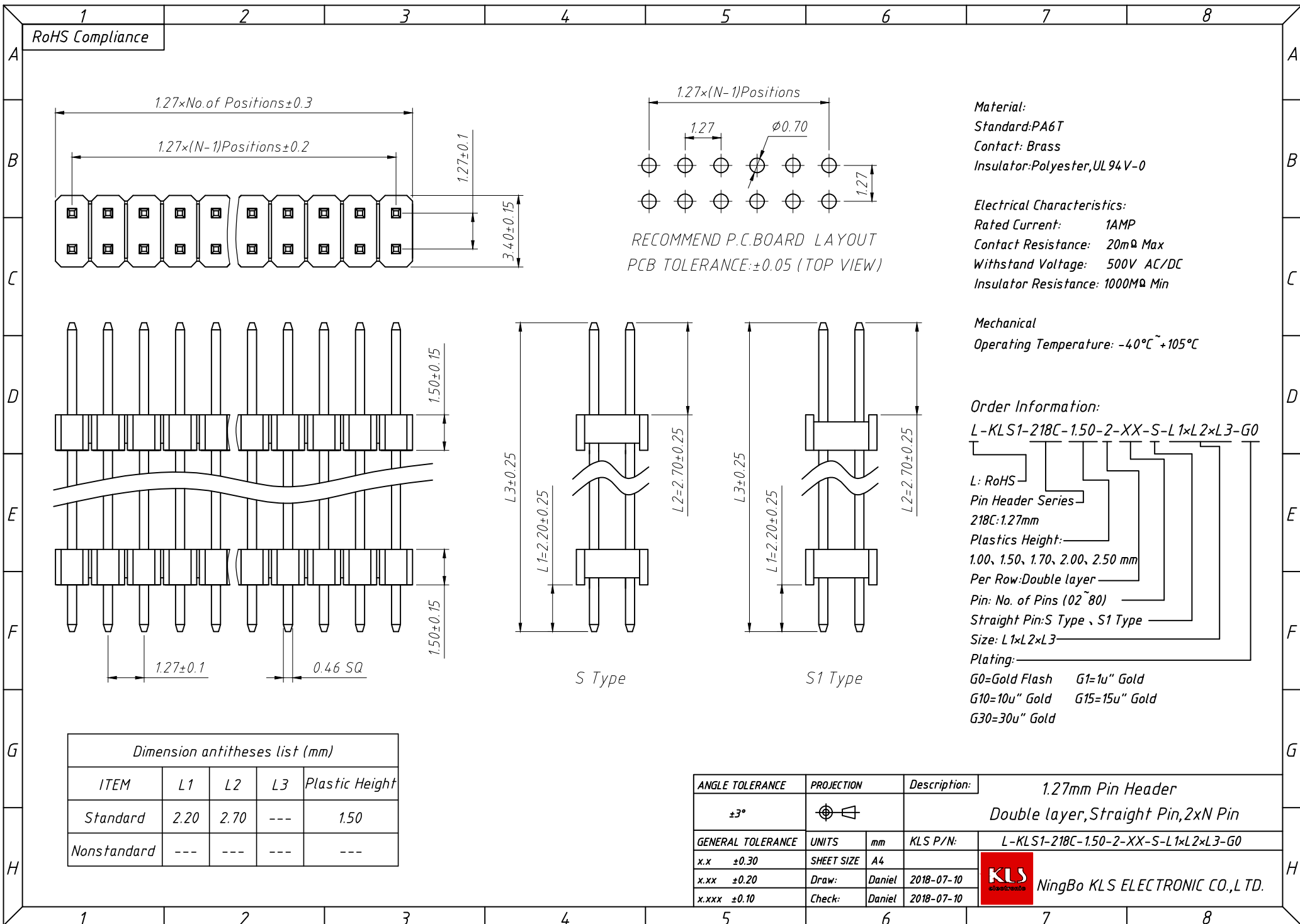
Dimension antitheses list (mm)					
ITEM	L1	L2	L3	D	Plastic Height
Standard	4.50	2.70	---	0.10	1.50
Nonstandard	---	---	---	---	---

**Material:**  
 Standard:PA6T  
 Contact: Brass  
 Insulator:Polyester,UL 94V-0  
**Electrical Characteristics:**  
 Rated Current: 1AMP  
 Contact Resistance: 20mΩ Max  
 Withstand Voltage: 500V AC/DC  
 Insulator Resistance: 1000MΩ Min  
**Mechanical**  
 Operating Temperature: -40°C ~ +105°C  
 Max.Processing Temp:230°C for 30-60 seconds  
 (260°C for 10 seconds)

**Order Information:**  
 L-KLS1-218C-1.50-1-XX-T1-L1xL2xL3xD-G0-N-R  
 L: RoHS  
 Pin Header Series  
 218C: 1.27mm  
 Plastics Height:  
 1.00, 1.50, 1.70, 2.00, 2.50 mm  
 Per Row:Single layer  
 Pin: No. of Pins (1x40)  
 SMT Pin:T1 Type, T2 Type  
 Size:L1xL2xL3xD  
 Plating:  
 G0=Gold Flash G1=1u" Gold G10=10u" Gold  
 G15=15u" Gold G30=30u" Gold  
 Post:W=With Post N=W/O Post  
 Packing:  
 0=PE Bag A=Tray T=Tube  
 P=Tube+Cap R=Reel+Cap

ANGLE TOLERANCE	PROJECTION	Description:	1.27mm Pin Header	
±3°		Single layer, SMT Mounting type, 1xN Pin		
GENERAL TOLERANCE	UNITS	mm	KLS P/N:	L-KLS1-218C-1.50-1-XX-T1-L1xL2xL3xD-G0-N-R
x.x ±0.30	SHEET SIZE	A4		
x.xx ±0.20	Draw:	Daniel	2018-07-10	
x.xxx ±0.10	Check:	Daniel	2018-07-10	

**KLS** NingBo KLS ELECTRONIC CO.,L TD.



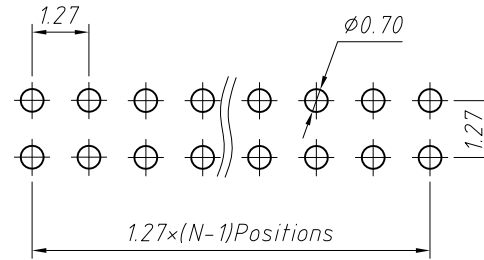
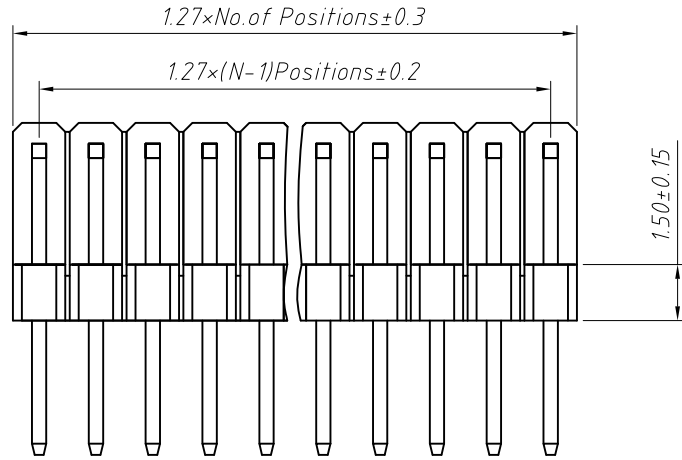
Dimension antitheses list (mm)

ITEM	L1	L2	L3	Plastic Height
Standard	2.20	2.70	---	1.50
Nonstandard	---	---	---	---

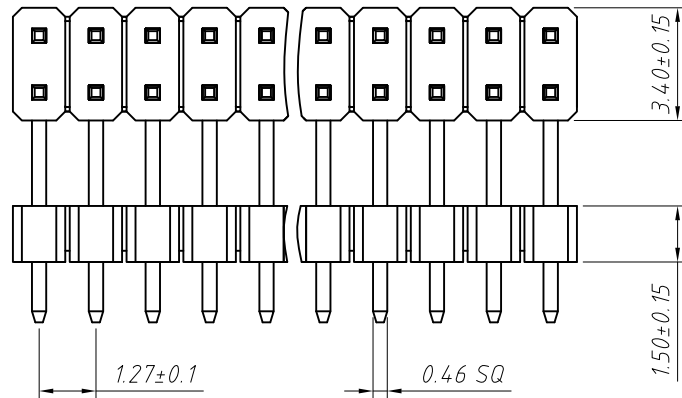
ANGLE TOLERANCE	PROJECTION	Description:
±3°		1.27mm Pin Header Double layer, Straight Pin, 2xN Pin
GENERAL TOLERANCE	UNITS	mm
x.x ±0.30	SHEET SIZE	A4
x.xx ±0.20	Draw:	Daniel 2018-07-10
x.xxx ±0.10	Check:	Daniel 2018-07-10

**KLS** NingBo KLS ELECTRONIC CO.,L TD.

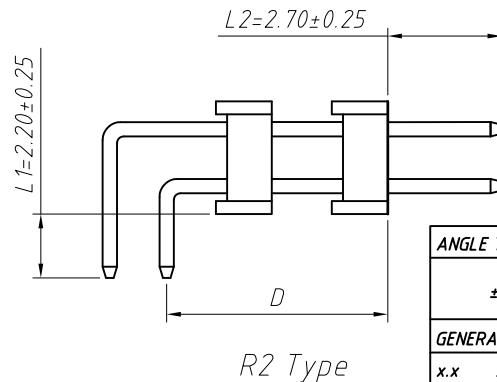
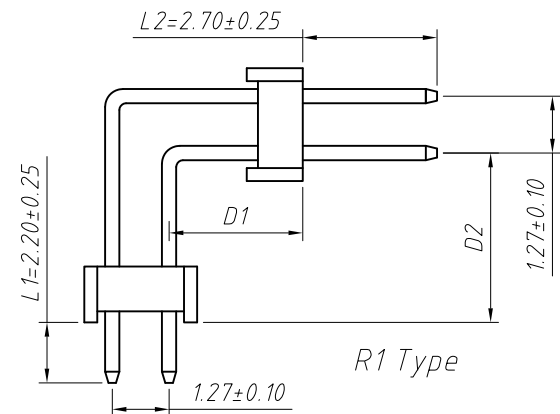
RoHS Compliance



RECOMMEND P.C.BOARD LAYOUT  
PCB TOLERANCE:±0.05 (TOP VIEW)



Dimension antitheses list (mm)						
ITEM	L1	L2	D	D1	D2	Plastic Height
Standard	2.20	2.70	---	---	---	1.50
Nonstandard	---	---	---	---	---	---



Material:  
Standard:PA6R  
Contact: Brass  
Insulator:Polyester,UL 94 V-0

Electrical Characteristics:  
Rated Current: 1AMP  
Contact Resistance: 20mΩ Max  
Withstand Voltage: 500V AC/DC  
Insulator Resistance: 1000MΩ Min

Mechanical  
Operating Temperature: -40°C~+105°C  
Max.Processing Temp: 180°C for 30-60 seconds (200°C for 10 seconds)

Order Information:

L-KLS1-218C-1.50-2-XX-R2-L1xL2xD-G0

L: RoHS  
Pin Header Series  
218C:1.27mm  
Plastics Height:  
1.00, 1.50, 1.70, 2.00, 2.50 mm  
Per Row:Double layer  
Pin: No. of Pins (02~80)  
Right Angle Pin:R1 Type, R2 Type  
Size: L1xL2xD  
Plating:  
G0=Gold Flash G1=1u" Gold  
G10=10u" Gold G15=15u" Gold  
G30=30u" Gold

ANGLE TOLERANCE	PROJECTION	Description:
±3°		1.27mm Pin Header Double layer,Right Angle Pin,2xN Pin
GENERAL TOLERANCE	UNITS	mm
x.x ±0.30	SHEET SIZE	A4
x.xx ±0.20	Draw:	Daniel 2018-07-10
x.xxx ±0.10	Check:	Daniel 2018-07-10



NingBo KLS ELECTRONIC CO.,L TD.

1 RoHS Compliance

2 3 4 5 6 7 8

A

B

C

D

E

F

G

H

A

B

C

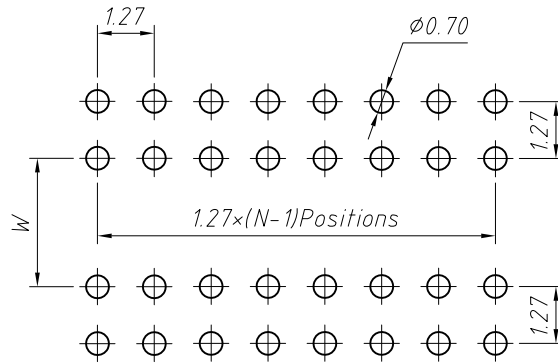
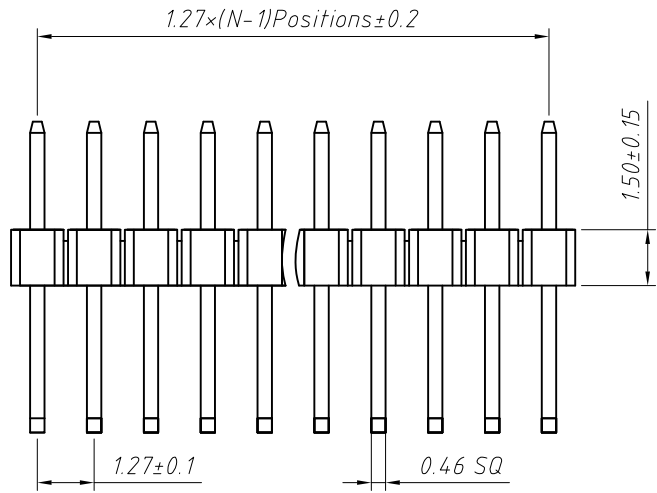
D

E

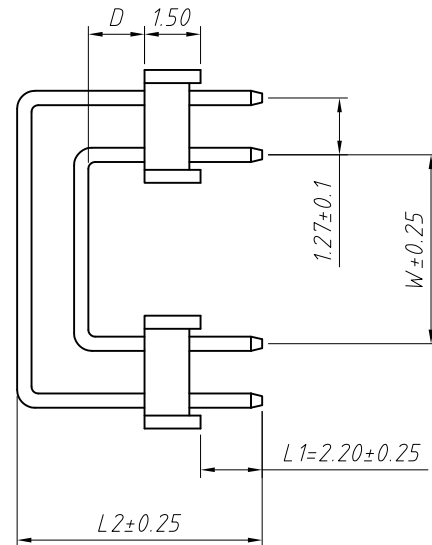
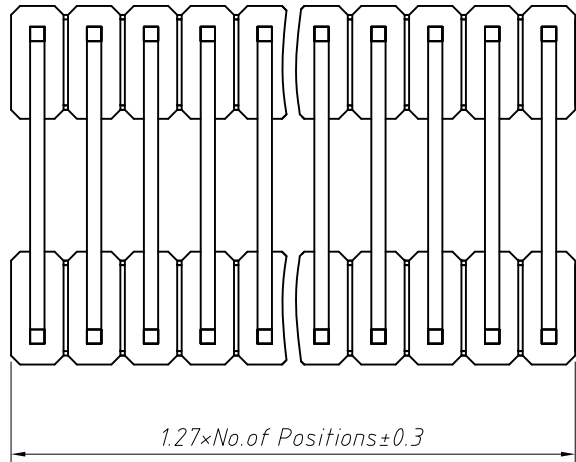
F

G

H



RECOMMEND P.C.BOARD LAYOUT  
PCB TOLERANCE:±0.05 (TOP VIEW)



Material:  
Standard:PA6R  
Contact: Brass  
Insulator:Polyester,UL94V-0

Electrical Characteristics:  
Rated Current: 1AMP  
Contact Resistance: 20mΩ Max  
Withstand Voltage: 500V AC/DC  
Insulator Resistance: 1000MΩ Min

Mechanical  
Operating Temperature: -40°C~+105°C  
Max.Processing Temp: 180°C for 30-60 seconds (200°C for 10 seconds)

Order Information:  
L-KLS1-218C-1.50-2-XX-R3-L1xL2xDxW-G0

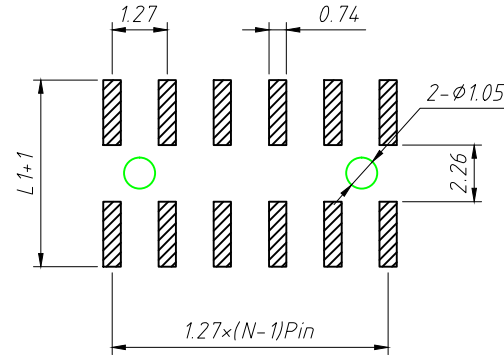
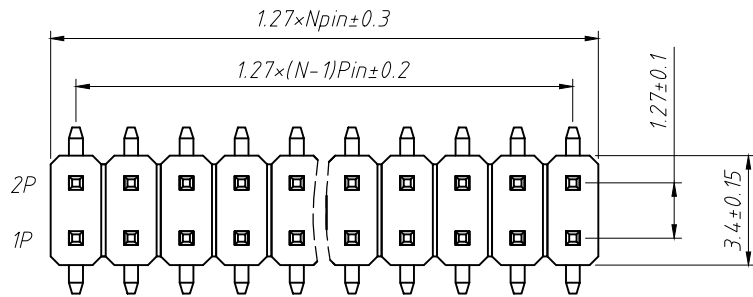
L: RoHS  
Pin Header Series  
218C:1.27mm  
Plastics Height:  
1.00, 1.50, 1.70, 2.00, 2.50 mm  
Per Row:Double layer  
Pin: No. of Pins (02~80)  
Type:Right Angle Pin  
Size: L1xL2xDxW  
Plating:  
G0=Gold Flash G1=1u" Gold  
G10=10u" Gold G15=15u" Gold  
G30=30u" Gold

Dimension antitheses list (mm)					
ITEM	L1	L2	D	W	Plastic Height
Standard	2.20	---	---	---	1.50
Nonstandard	---	---	---	---	---

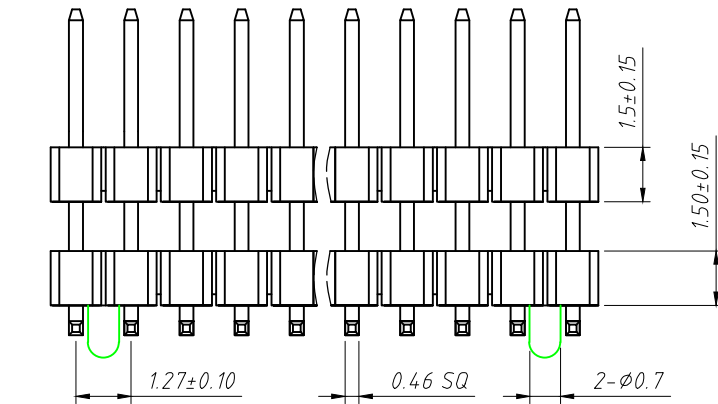
ANGLE TOLERANCE	PROJECTION	Description:	1.27mm Pin Header	
±3°		Double layer,Right Angle Pin,2xN Pin		
GENERAL TOLERANCE	UNITS	mm	KLS P/N:	L-KLS1-218C-2.50-2-XX-R3-L1xL2xDxW-G0
x.x ±0.30	SHEET SIZE	A4		
x.xx ±0.20	Draw:	Daniel	2018-07-10	NingBo KLS ELECTRONIC CO.,L TD.
x.xxx ±0.10	Check:	Daniel	2018-07-10	

1 2 3 4 5 6 7 8

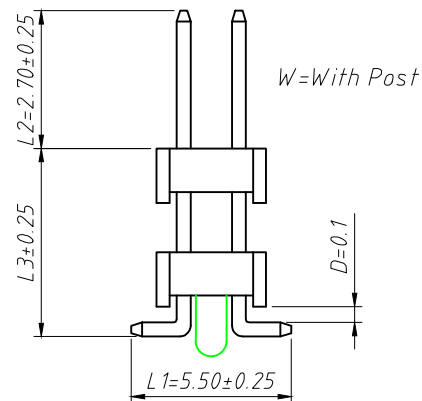
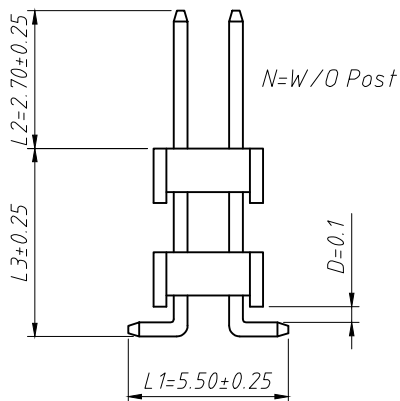
RoHS Compliance



Recommended P.C.B Layout (Top Side)  
(PCB BOARD TOLERANCE±0.05)



Dimension antitheses list (mm)					
ITEM	L1	L2	L3	D	Plastic Height
Standard	5.50	2.70	---	0.10	1.50
Nonstandard	---	---	---	---	---



Material:  
Standard:PA6T  
Contact: Brass  
Insulator:Polyester,UL94 V-0  
Electrical Characteristics:  
Rated Current: 1AMP  
Contact Resistance: 20mΩ Max  
Withstand Voltage: 500V AC/DC  
Insulator Resistance: 1000MΩ Min  
Mechanical  
Operating Temperature: -40°C ~ +105°C  
Max.Processing Temp:230°C for 30-60 seconds  
(260°C for 5 seconds)

Order Information:

L-KLS1-218C-1.50-2-XX-T-L1xL2xL3xD-G0-W-R

L: RoHS  
Pin Header Series  
218C: 1.27mm  
Plastics Height:  
1.00, 1.50, 1.70, 2.00, 2.50 mm  
Per Row:Double layer  
Pin: No. of Pins (02~80)  
Type:SMT Mounting type  
Size:L1xL2xL3xD  
Plating:  
G0=Gold Flash G1=1u" Gold G10=10u" Gold  
G15=15u" Gold G30=30u" Gold  
Post:W=With Post N=W/O Post  
Packing:  
0=PE Bag A=Tray T=Tube  
P=Tube+Cap R=Reel+Cap

ANGLE TOLERANCE	PROJECTION	Description:	1.27mm Pin Header	
±3°		Double layer, SMT Mounting type, 2xN Pin		
GENERAL TOLERANCE	UNITS	mm	KLS P/N:	L-KLS1-218C-1.50-2-XX-T-L1xL2xL3xD-G0-W-R
x.x ±0.30	SHEET SIZE	A4		
x.xx ±0.20	Draw:	Daniel	2018-07-10	NingBo KLS ELECTRONIC CO.,LTD.
x.xxx ±0.10	Check:	Daniel	2018-07-10	