

LED Indicator Light

KLS9-IL-M8-03A LED Indicator Light



**SPECIFICATION:**

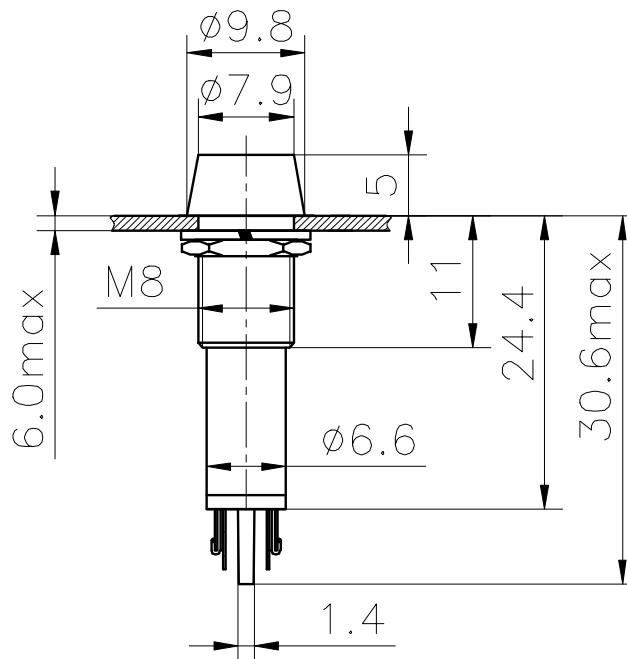
Parameter:

Housing: nickel plated copper

Colloid: ABS

Use voltage: 6V, 12V, 24V, 120V, 220V

Emitting colors: red, green, yellow, blue, white



ORDER INFORMATION

Product NO.: KLS9-IL-M8-03A- R



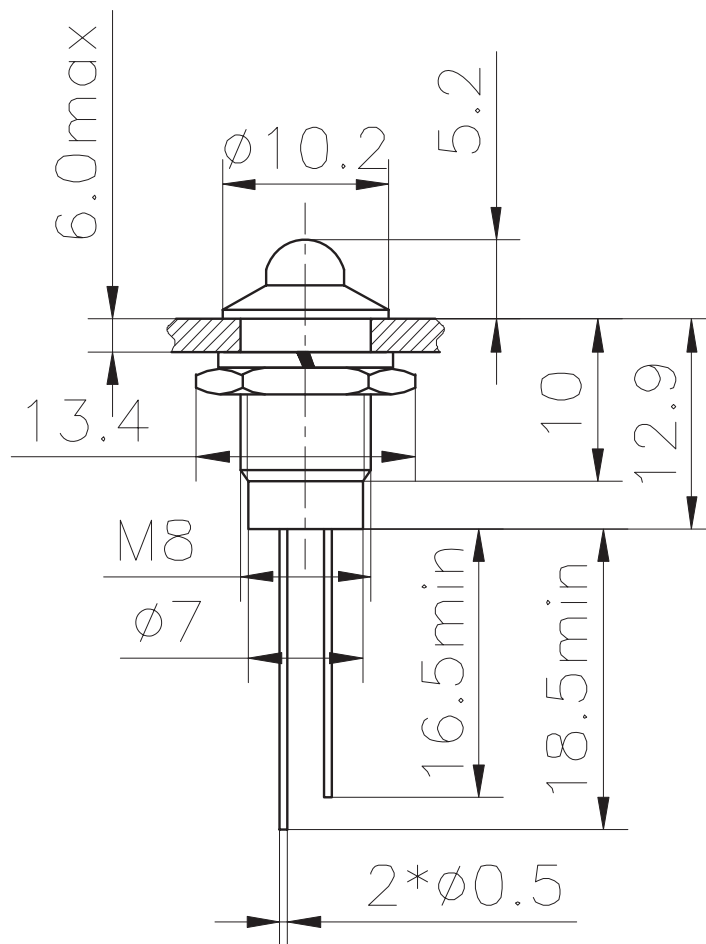
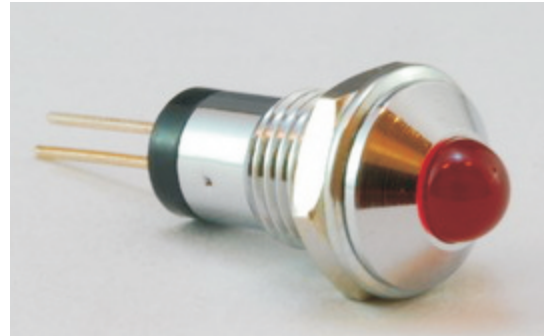
LED Indicator Light

KLS9-IL-M8-02A LED Indicator Light

IX

**SPECIFICATION:**

LED Indicator Light  
W O Resistor 2V DC  
Mounting Hole:  $\Phi$  8mm  
LED INDICATOR LIGHT  $\Phi$  10mm



ORDER INFORMATION

Product NO.: KLS9-IL-M8-02A-R

