

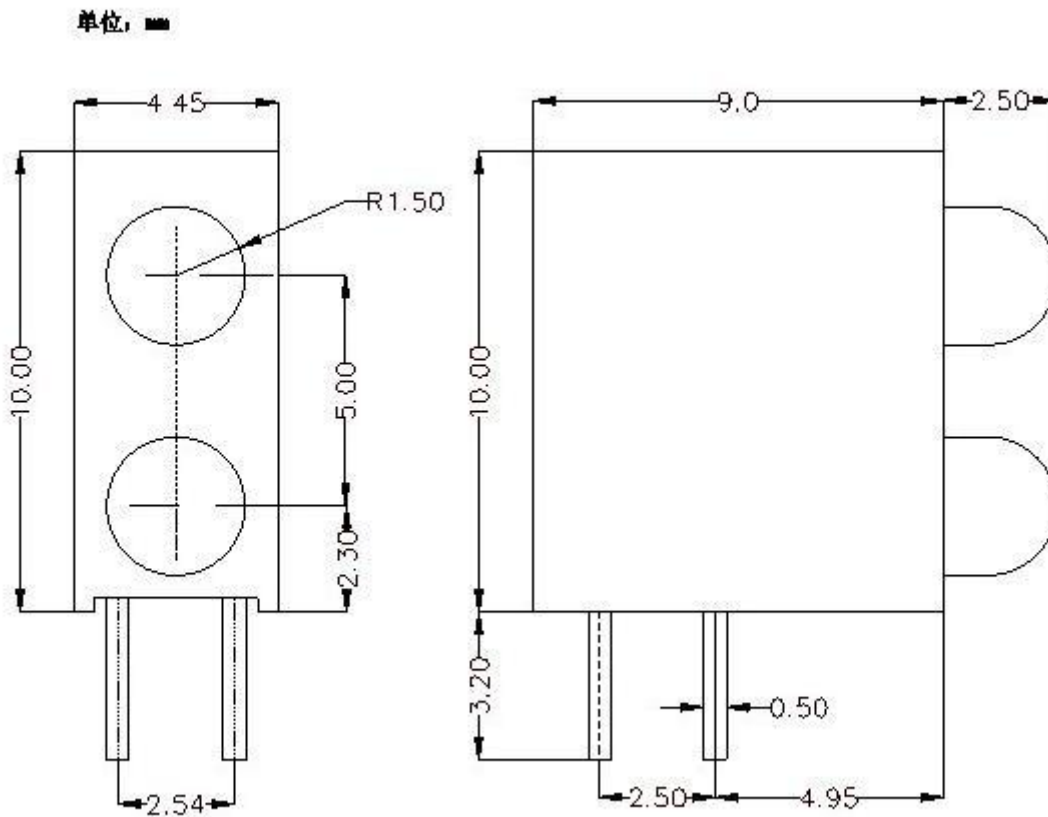
NINGBO KLS ELECTRONIC CO.,LTD

PART NO: L-KLS9-0120-LED-3-RG

Page: 1 of

Description: 3mm Round

Package Dimensions



Lens	Material	Emitting Color
Wster Clear	InGaN	RedAndGreen

NOTES

1. All dimensions are in millimeters .
2. Tolerance is $\pm 0.25\text{mm}$ unless otherwise noted.
3. Protruded resin under flange is 1.0mm max.
4. Lead spacing is measured where the leads emerge from the package.
5. Specifications are subject to change without notice.

NINGBO KLS ELECTRONIC CO.,LTD

PART NO: L-KLS9-0120-LED-3-RG

Page: 2 of

Absolute Maximum Ratings at TA=25°C

Parameter	Maximum Rating	Unit
Power Dissipation	80	mW
Peak Forward Current (1/10Duty Cycle, 0.1ms Pulse Width)	60	mA
DC Forward Current	30	mA
Reverse Voltage	5	V
Operating Temperature Range	-20°C to+80°C	
Storage Temperature Range	-40°C to+100°C	
Lead Soldering Temperature [1.6mm(.063")From Body]	260°C for 5 seconds	

Electrical Optical Characteristics at TA=25°C

Parameter	Symbol	Min	Typ.	Max.	Unit	Test Condition
Luminous Intensity	Iv	80		150	mcd	IF=20mA
Viewing Angle	2 θ 1/2		25		deg	
Peak Emission Wavelength	λ p	620		630	nm	IF=20mA
Chromaticity Coordinate	X/Y	565		575	nm	IF=20mA
Spectral Line Half-Width	Δ λ				nm	IF=20mA
Forward Voltage	VF	1.8		2.2	V	IF=20mA
Reverse Current	IR			40	μ A	VR=5v

- Note:**
- 1.Luminous intensity is measured with a light sensor and filter combination that approximates CIE (Commission International Dd L Eclairage)eye-response curve.
 2. θ 1/2 is the off-axis angle at which the luminous intensity is half the axial luminous intensity.
 3. The chromaticity coordinate,x/y is derived from the CIE chromaticity diagram and represents the single wavelength which defines the color of the device.
 - 4.The Iv guarantee should be added ± 15%.