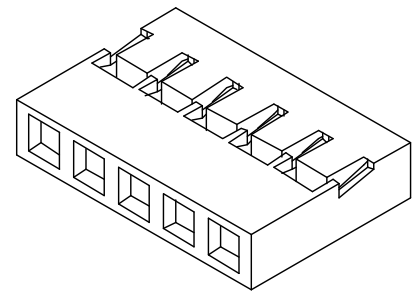
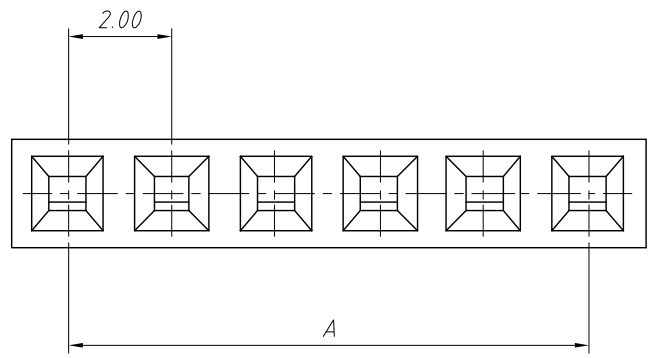


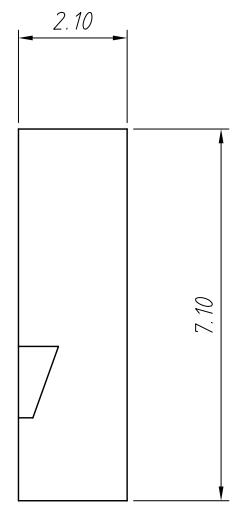
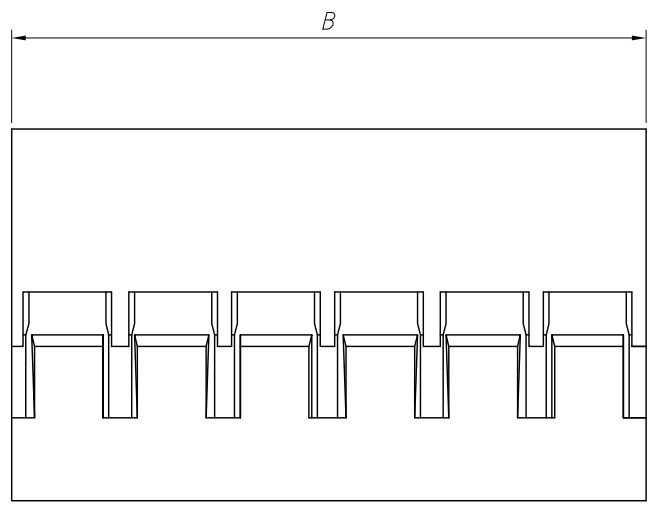
1 2 3 4 5 6 7 8

A  
B  
C  
D  
E  
F  
G  
H

RoHS Compliance



Pin	Dimensions(mm)		Pin	Dimensions(mm)	
	A	B		A	B
02	2.00	4.20	16	2.00	32.20
03	4.00	6.20	17	4.00	34.20
04	6.00	8.20	18	6.00	36.20
05	8.00	10.20	19	8.00	38.20
06	10.00	12.20	20	10.00	40.20
07	12.00	14.20	21	12.00	42.20
08	14.00	16.20	22	14.00	44.20
09	16.00	18.20	23	16.00	46.20
10	18.00	20.20	24	18.00	48.20
11	20.00	22.20	25	20.00	50.20
12	22.00	24.20	26	22.00	52.20
13	24.00	26.20	27	24.00	54.20
14	26.00	28.20	28	26.00	56.20
15	28.00	30.20	29	28.00	58.20



Material:  
Housing:PA66,UL 94 V-2,Black.

Electrical Characteristics:  
Rated Current:2.0AMP  
Voltage rating:250V AC,DC  
Temperature range:-25°C ~ + 85°C  
Insulator Resistance:1000M $\Omega$  Min  
Withstand Voltage:1000V AC/DC  
Contact Resistance:20m $\Omega$  Max

Order Information:  
L-KLS1-540B-1 $\times$ XX-H  
L: RoHS  
Pitch:2.00mm  
Layer:  
1-Single layer  
2-Double layer  
XX-No.of 02 ~ 29 pins  
Type: \_\_\_\_\_  
T-Terminal H/H1-Hosing

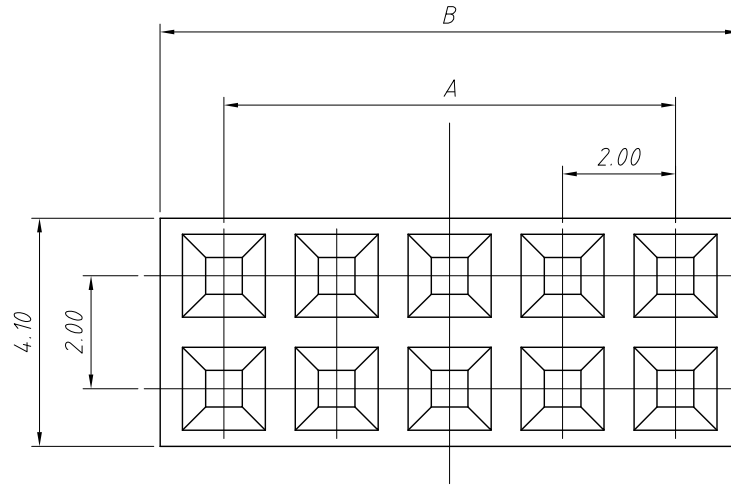
ANGLE TOLERANCE	PROJECTION		Description:	
$\pm 3^\circ$			2.00mm pitch Dupont Wire To Board Connectors	
GENERAL TOLERANCE	UNITS	mm	KLS P/N:	L-KLS1-540B-1 $\times$ XX-H
x.x $\pm 0.30$	SHEET SIZE	A4		
x.xx $\pm 0.20$	Draw:	Daniel	2021-01-11	NingBo KLS ELECTRONIC CO.,L TD.
x.xxx $\pm 0.10$	Check:	Daniel	2021-01-11	

1 2 3 4 5 6 7 8

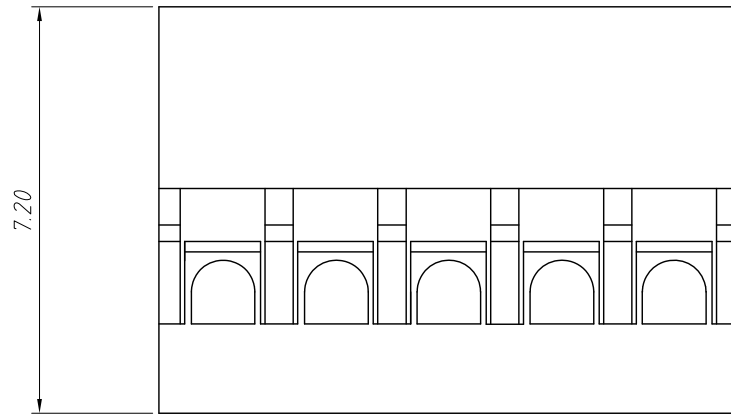
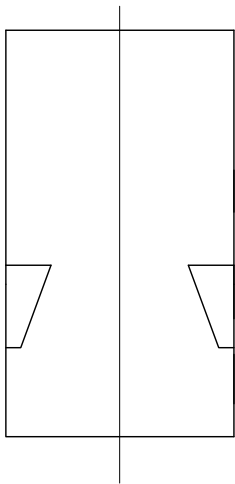
1  
RoHS Compliance

**Material:**  
Housing:PA66,UL 94V-2,Black.

**Electrical Characteristics:**  
Rated Current:2.0AMP  
Voltage rating:250V AC,DC  
Temperature range:-25°C ~ + 85°C  
Insulator Resistance:1000MΩ Min  
Withstand Voltage:1000V AC/DC  
Contact Resistance:20mΩ Max



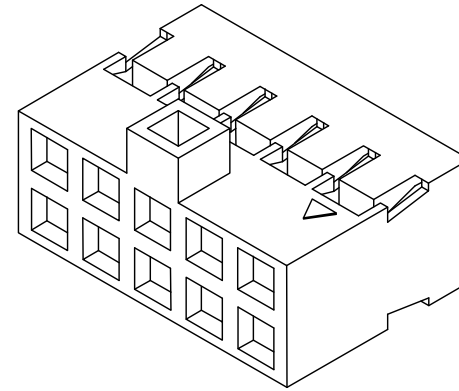
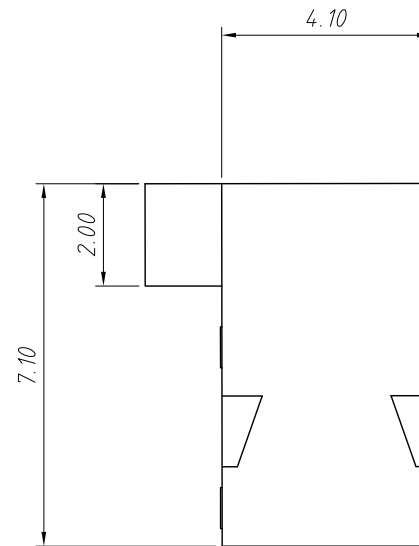
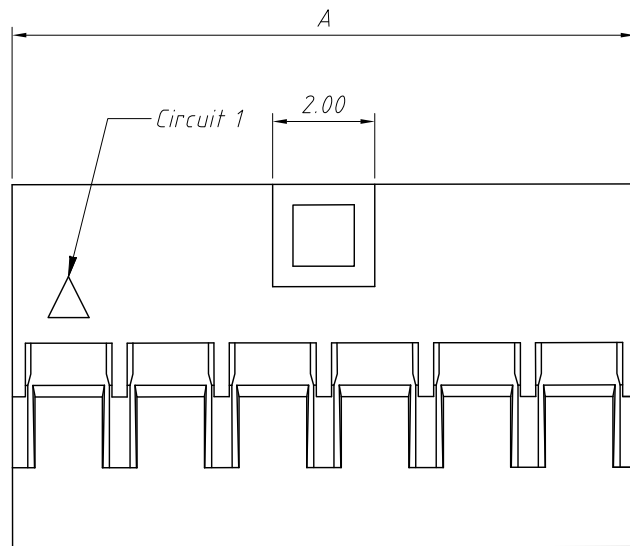
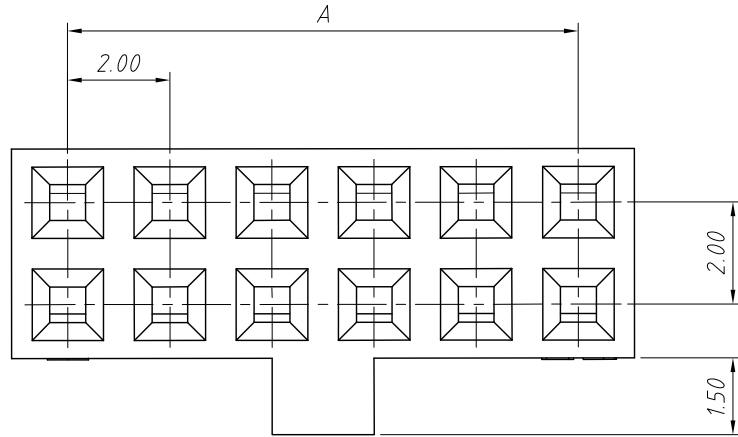
Pin	Dimensions(mm)	
	A	B
2×02	2.00	4.30
2×03	4.00	6.30
2×04	6.00	8.30
2×05	8.00	10.30
2×06	10.00	12.30
2×07	12.00	14.30
2×08	14.00	16.30
2×09	16.00	18.30
2×10	18.00	20.30
2×11	20.00	22.30
2×12	22.00	24.30
2×13	24.00	26.30
2×14	26.00	28.30
2×15	28.00	30.30
2×16	30.00	32.30
2×17	32.00	34.30
2×18	34.00	36.30
2×19	36.00	38.30
2×20	38.00	40.30
2×21	40.00	42.30
2×22	42.00	44.30



**Order Information:**  
L-KLS1-540B-2×XX-H  
L: RoHS  
Pitch:2.00mm  
Layer:  
1-Single layer  
2-Double layer  
XX-No.of 08 ~ 44 pins  
Type:  
T-Terminal H/H1-Hosing

ANGLE TOLERANCE	PROJECTION	Description:
±3°		2.00mm pitch Dupont Wire To Board Connectors
GENERAL TOLERANCE	UNITS	mm
x.x ±0.30	SHEET SIZE	A4
x.xx ±0.20	Draw:	Daniel 2021-01-11
x.xxx ±0.10	Check:	Daniel 2021-01-11
KLS P/N:		L-KLS1-540B-2×XX-H
KLS ELECTRONIC CO.,LTD.		NingBo KLS ELECTRONIC CO.,LTD.

1 RoHS Compliance



Pin	Dimensions(mm)	
	A	B
2x04	6.00	8.40
2x05	8.00	10.40
2x06	10.00	12.40
2x07	12.00	14.40
2x08	14.00	16.40
2x09	16.00	18.40
2x10	18.00	20.40
2x11	20.00	22.40
2x12	22.00	24.40
2x13	24.00	26.40
2x14	26.00	28.40
2x15	28.00	30.40
2x16	30.00	32.40
2x17	32.00	34.40
2x18	34.00	36.40
2x19	36.00	38.40
2x20	38.00	40.40
2x21	40.00	42.40
2x22	42.00	44.40

Material:  
Housing:PA66,UL94V-2,Black.

Electrical Characteristics:  
Rated Current:2.0AMP  
Voltage rating:250V AC,DC  
Temperature range:-25°C ~ + 85°C  
Insulator Resistance:1000M $\Omega$  Min  
Withstand Voltage:1000V AC/DC  
Contact Resistance:20m $\Omega$  Max

Order Information:  
L-KLS1-540B-2xXX-H1

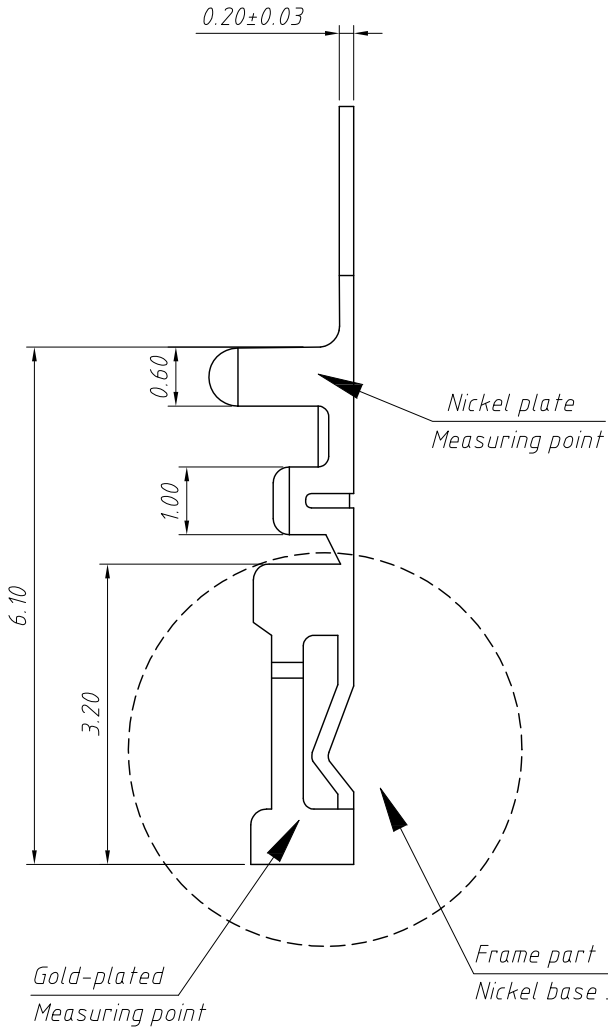
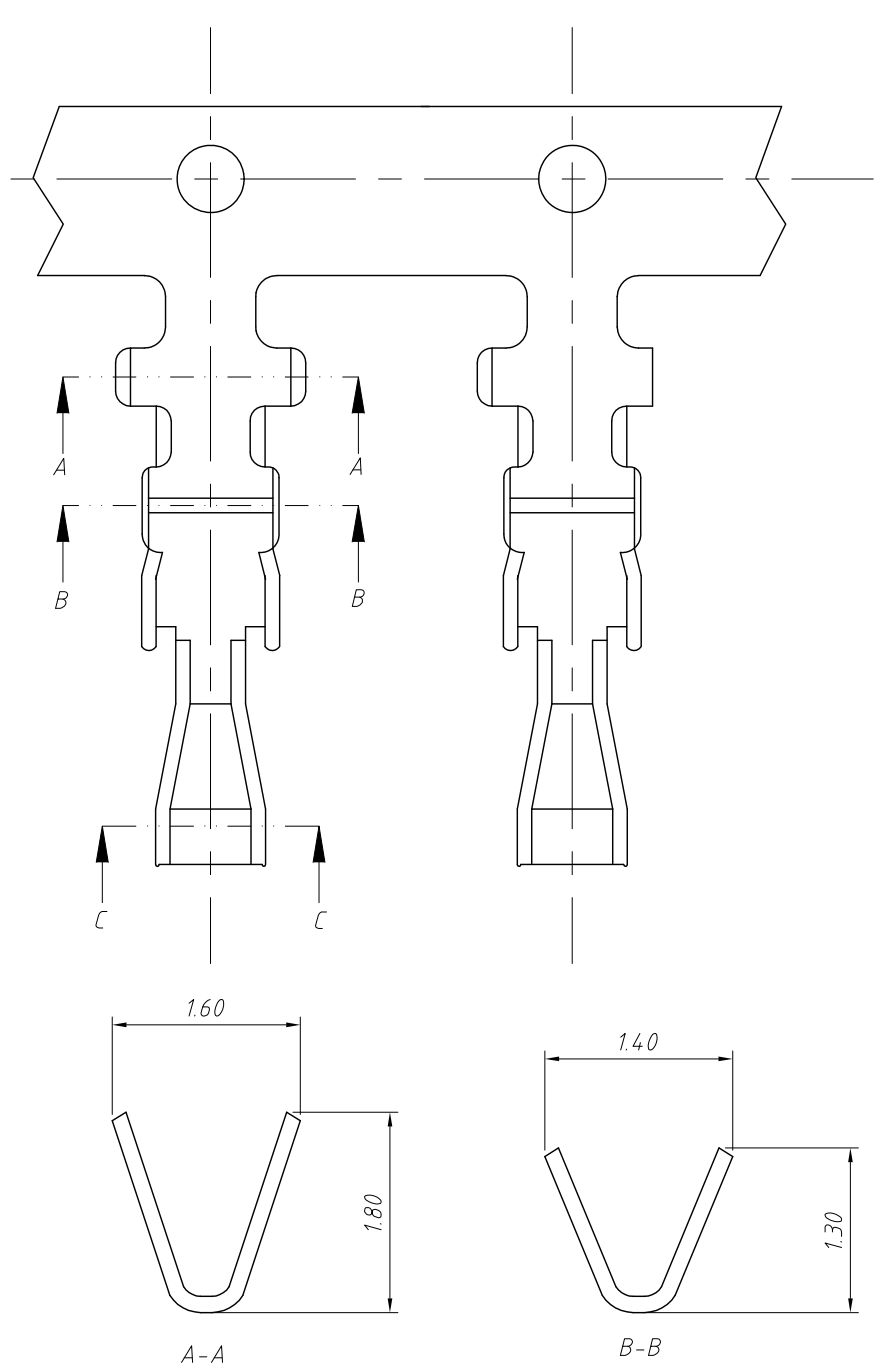
L: RoHS  
Pitch:2.00mm  
Layer:  
1-Single layer  
2-Double layer  
XX-No. of 08 ~ 44 pins  
Type:  
T-Terminal H/H1-Hosing

ANGLE TOLERANCE	PROJECTION		Description:
$\pm 3^\circ$			2.00mm pitch Dupont Wire To Board Connectors
GENERAL TOLERANCE	UNITS	mm	KLS P/N:
x.x $\pm 0.30$	SHEET SIZE	A4	L-KLS1-540B-2xXX-H1
x.xx $\pm 0.20$	Draw:	Daniel	2021-01-11
x.xxx $\pm 0.10$	Check:	Daniel	2021-01-11



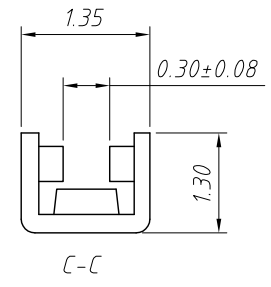
NingBo KLS ELECTRONIC CO.,LTD.

RoHS Compliance



Material:  
Housing:PA66,UL 94V-2,Black.

Electrical Characteristics:  
Rated Current:2.0AMP  
Voltage rating:250V AC,DC  
Temperature range:-25°C ~ + 85°C  
Insulator Resistance:1000MΩ Min  
Withstand Voltage:1000V AC/DC  
Contact Resistance:20mΩ Max



Order Information:  
L-KLS1-540B-T  
L: RoHS  
Pitch:2.00mm  
Type: Terminal H/H1-Hosing

ANGLE TOLERANCE	PROJECTION	Description:	
±3°		2.00mm pitch Dupont Wire To Board Connectors	
GENERAL TOLERANCE	UNITS	mm	KLS P/N:
x.x ±0.30	SHEET SIZE	A4	L-KLS1-540B-T
x.xx ±0.20	Draw:	Daniel	2021-01-11
x.xxx ±0.10	Check:	Daniel	2021-01-11

