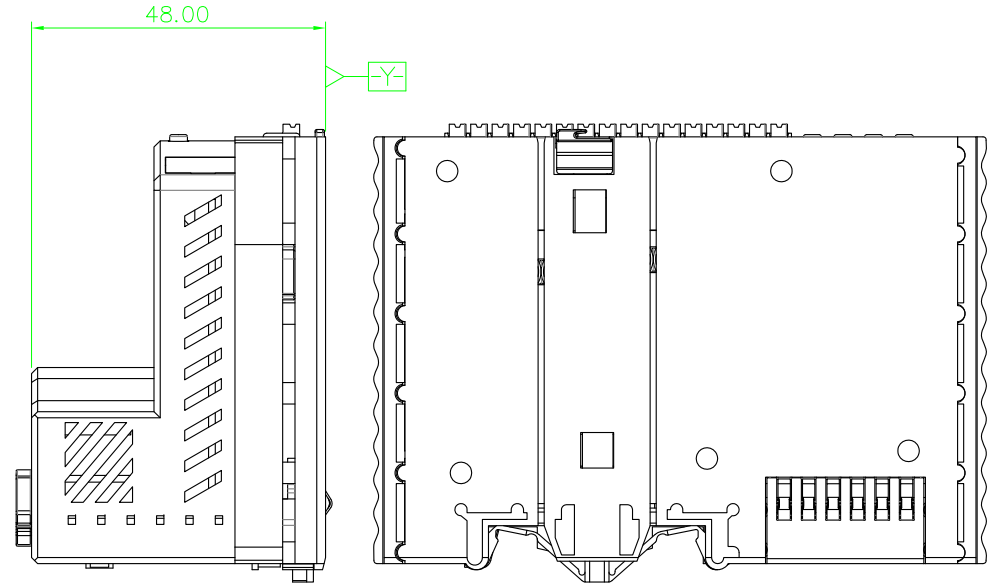
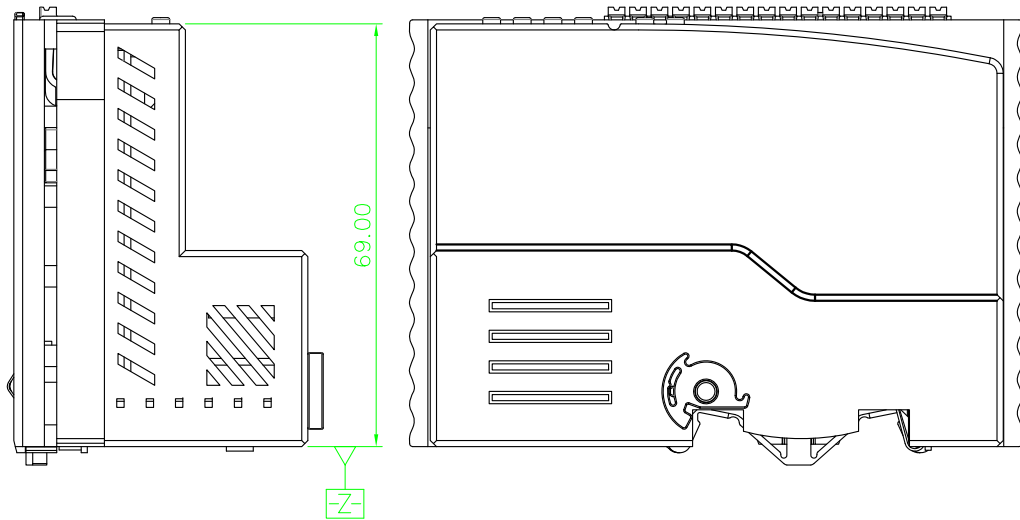
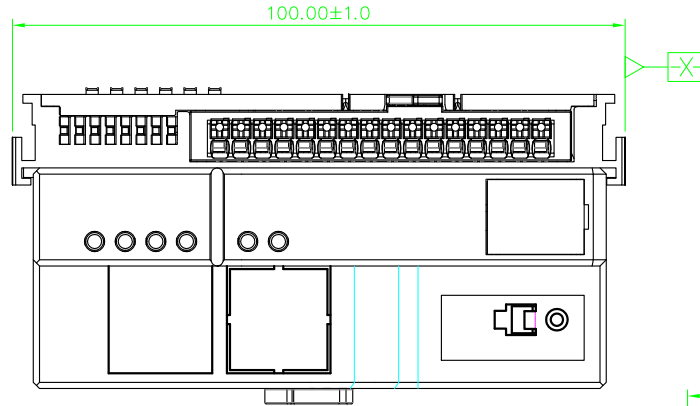


REVISION RECORD


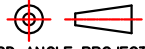
REV	ECN	DESCRIPTION	DRFT	DATE



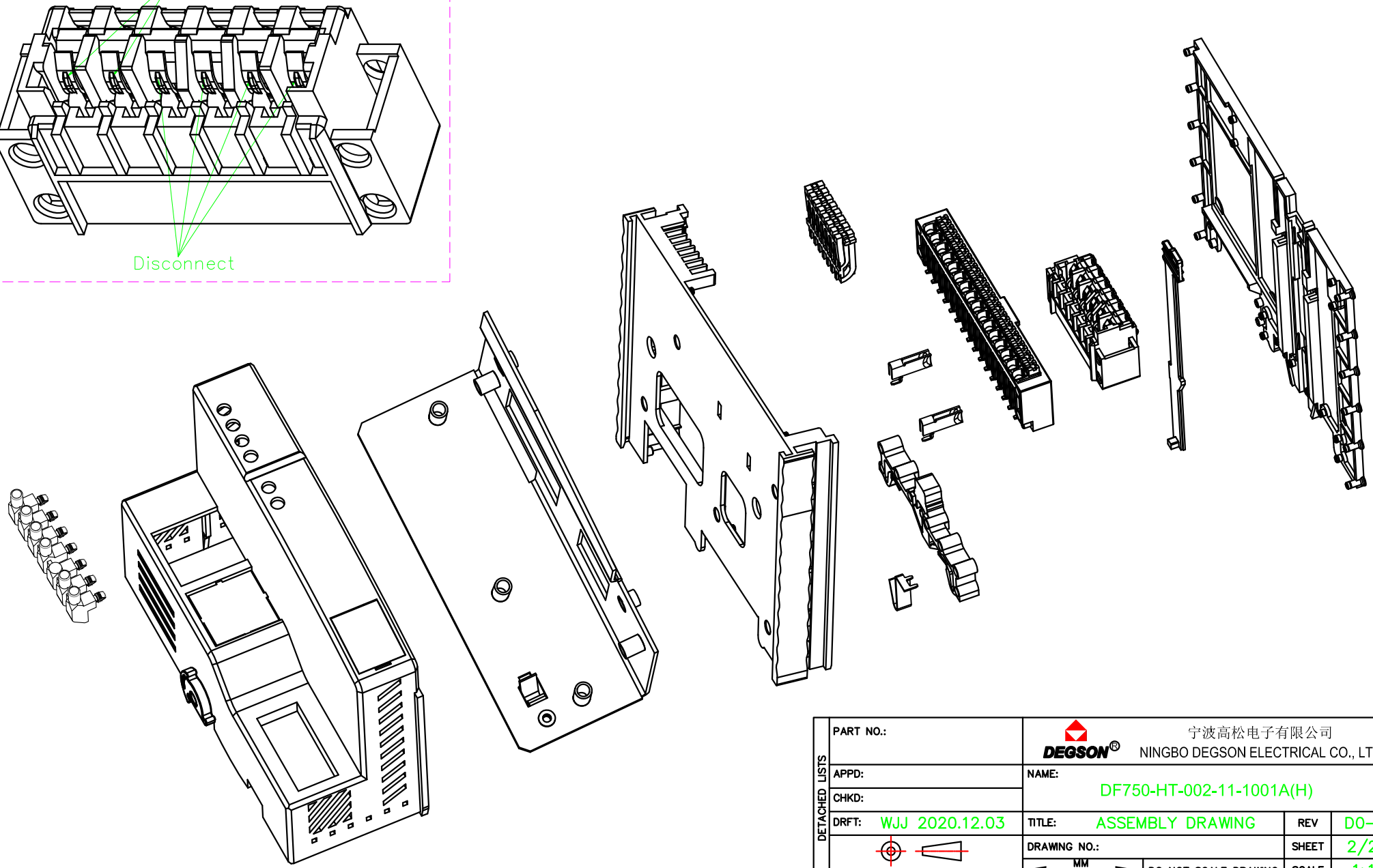
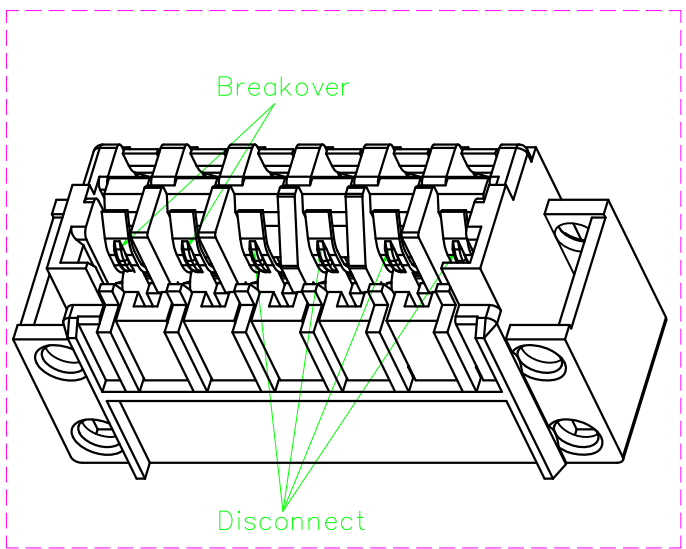
Technical parameter	
Overvoltage category	II
Rated voltage	24V
Rated current	10A
Wire range	28~16AWG/0.2~1.5mm ²
Stripping length	8~9mm


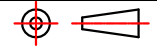
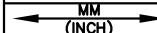
NOTES:
 1.RoHS Compliance
 2.Undimensioned tolerances:

Pitch range in mm		Nominal dimension range in mm							0.1/10
TO 6	Over 6 TO 10	Over 10 TO 24	TO 30	Over 30 TO 60	Over 60 TO 100	Over 100 TO 150	Over 150	±2'	
±0.15	±0.20	±0.30	±0.30	±0.50	±0.70	±1.00	±1.30	±2'	

DETACHED LISTS	PART NO.:	 宁波高松电子有限公司 NINGBO DEGSON ELECTRICAL CO., LTD		
	APPD:	NAME: DF750-HT-002-11-1001A(H)		
	CHKD:	TITLE: ASSEMBLY DRAWING		
	DRFT: WJJ 2020.12.03	REV: D0-1	SHEET: 1/2	SCALE: 1:1
 THIRD ANGLE PROJECTION		DRAWING NO.: MM (INCH) DO NOT SCALE DRAWING		

REVISION RECORD				
REV	ECN	DESCRIPTION	DRFT	DATE



DETACHED LISTS	PART NO.:	 宁波高松电子有限公司 NINGBO DEGSON ELECTRICAL CO., LTD		
	APPD:	NAME: DF750-HT-002-11-1001A(H)		
	CHKD:	TITLE: ASSEMBLY DRAWING		
	DRFT: WJJ 2020.12.03	REV: D0-1	SHEET: 2/2	SCALE: 1:1
	 THIRD ANGLE PROJECTION		 DO NOT SCALE DRAWING	