

3MM/ SUPER BRIGHT WHITE DIFFUSED, 3 PIN LED **DATE** :5 October 2021

SPECIFICATION

ABSOLUTE MAXIMUM RATING (Ta=25°C)

Item	Symbol	Rating	Unit
Power Dissipation	P _D	RED	80
		YELLOW GREEN	80
Forward Current	I _F	20	mA
Peak Forward Current (1/10 Duty Cycle, 0.1 ms Pulse Width)	I _{FP}	100	mA
Reverse Voltage	V _R	5	V
Operating Temperature	T _{opr}	-40~+80	°C
Storage Temperature	T _{stg}	-40~+80	°C

ELECTRICAL/OPTICAL CHARACTERISTICS RATING (Ta=25°C)

Item	Symbol	Test Conditions	Color Emitted	Rating			Unit
				Min.	Typ.	Max.	
Forward Voltage	V _F	I _F =20mA	RED	1.7	2.1	2.4	V
			YELLOW GREEN	1.7	2.1	2.4	
Reverse Current	I _R	V _R =5V	RED	---	---	10	μA
			YELLOW GREEN	---	---	10	
Luminous Intensity	I _v	I _F =20mA	RED	---	150	---	mcd
			YELLOW GREEN	---	100	---	
Dominant Wave Length	λ _d	I _F =20mA	RED	---	635	---	nm
			YELLOW GREEN	---	570	---	
Viewing Angle 2θ _{1/2}	2θ _{1/2}	I _F =20mA		40°			deg.

Notes:-

1) θ_{1/2} is the off-axis angle where the luminous intensity is half the optical centerline value.

Soldering Conditions : Soldering Temp. ≤ 260°C

Soldering Time ≤ 5 Sec.



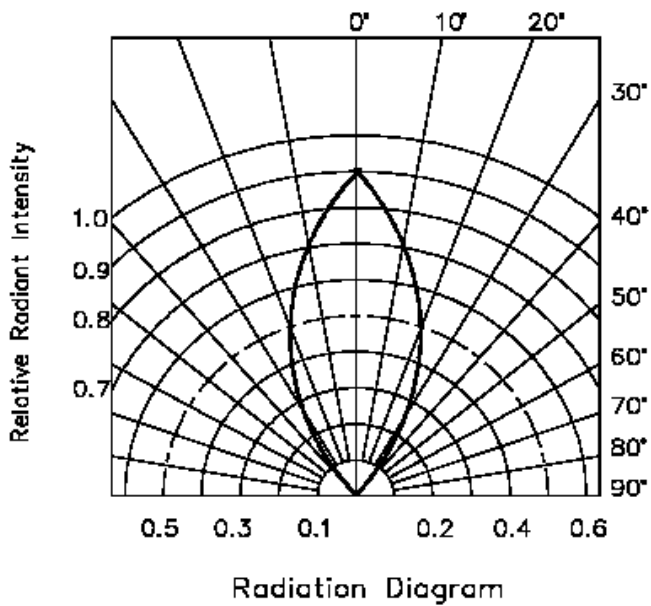
: ESD protection measures shall be considered and taken in the initial design stage, because static electricity and surge could damage the LED.

Caution A wrist band or an anti-electrostatic glove should be used when handling Electrostatic Sensitive Devices.

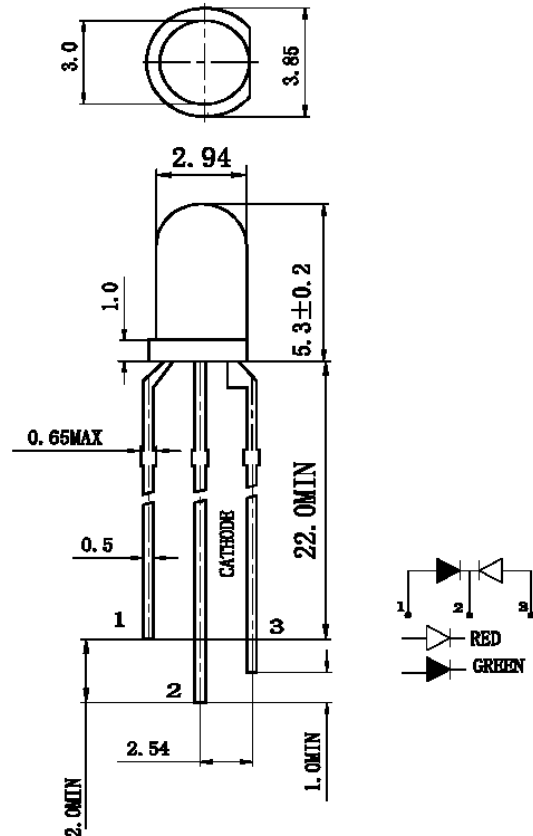
3MM/ SUPER BRIGHT WHITE DIFFUSED, 3 PIN LED **DATE** :5 October 2021

PACKAGE DIMENSION

Fig.6 Spatial Distribution



Item	Materials
Resin(Mold)	Epoxy Resin
Lead Frame	Copper Alloy



RED & YELLOW GREEN

1. Anode YELLOW GREEN
2. Common Cathode
3. Anode RED

Tolerance: ± 0.25(0.01)

Unit: mm(inch)

Part Number	Emitting Color	Lens Type
3RG9SC-1	RED	WHITE CLEAR
	YELLOW GREEN	

Typical Electrical/Optical Characteristics Curves

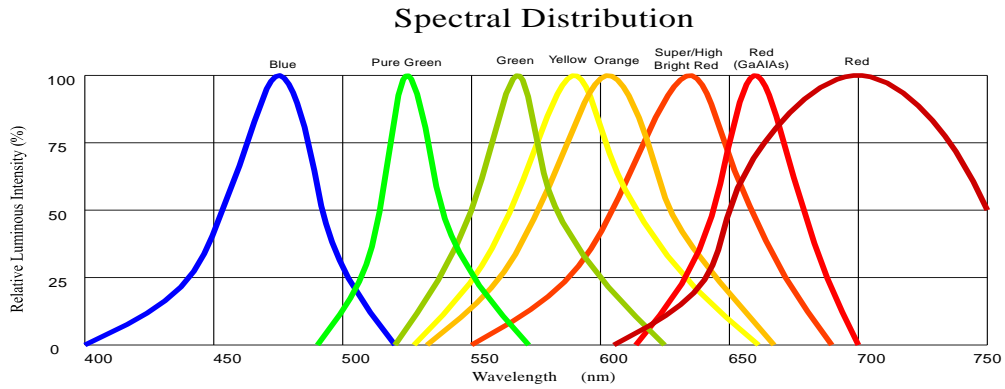


Fig1.Forward Current vs.Forward Voltage

Fig2.Relative Intensity vs. Forward Current

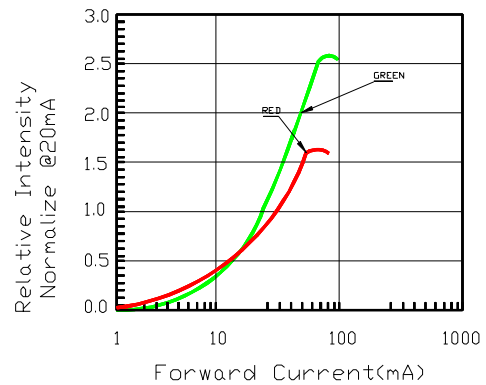
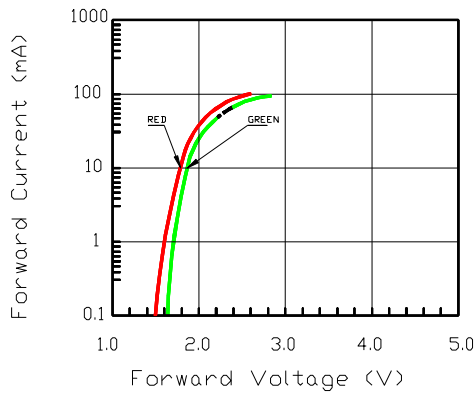


Fig3.Forward Voltage vs. Temperature

Fig4.Relative Intensity vs. Temperature

