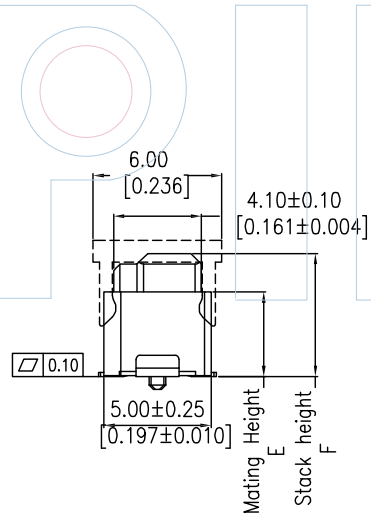
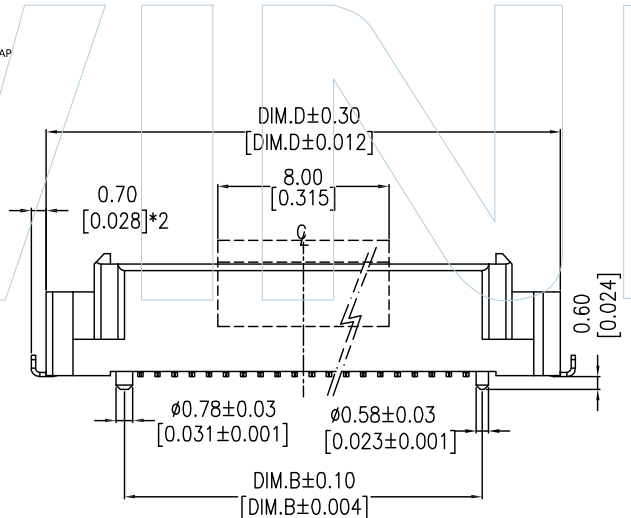


PART NUMBER CODING
BTC05 M XXX-XXX XX X X 1

M:Male
 Housing High
 No.of Pins
 Contact Plating
 G0=Gold Flash
 G1=2u"Gold
 G2=3u"Gold
 G3=5u"Gold
 G4=10u"Gold
 G5=15u"Gold
 G6=30u"Gold
 Insulator Material/Colour
 B:Black
 C:Natural
 Packing
 T:Tube
 P:Tube+CAP
 R:Tape&Reel+CAP

NO.OF CONTACT	DIM.A	DIM.B	DIM.C	DIM.D
20	7.2	8.7	10.6	16
30	11.2	12.7	14.6	20
40	15.2	16.7	18.6	24
50	19.2	20.7	22.6	28
60	23.2	24.7	26.6	32
70	27.2	28.7	30.6	36
80	31.2	32.7	34.6	40
100	39.2	40.7	42.6	48
120	47.2	48.7	50.6	56
140	55.2	56.7	58.6	64



PART NO	E	F
BTC05M047-XXXXXXX1	3.00	4.75
BTC05M057-XXXXXXX1	4.00	5.75
BTC05M077-XXXXXXX1	6.00	7.75



Tel:+86 769 82581808 FAX:+86 769 81766192
 E-Mail:sales@winpin.net Http:www.winpin.net

PART NO: BTC05MXXX-XXXXXXX1

TITLE: 0.80mm B TO B "E" MALE SMT TYPE

NOTES:
 Current Rating:0.5AMP
 Voltage Rating:200V AC/300V DC
 Contact Resistance:70mΩ max
 Insulation Resistance:100MΩ Min
 Operation Temperature:-40°C to +85°C

Housing Material:LCP(UL94V-0)
 Contact Material:Phosphor Bronze
 Contact plating:Au over Ni Plating
 Hold Down Material:Brass

UNLESS OTHERWISE SPECIFIED DIMENSIONS ARE IN METRIC TOLERANCES ARE:
 DECIMALS Angle
 X.X:±0.40 ± 3°
 X.XX:±0.25
 X.XXX:±0.15

SCALE 1:1
 UNIT MM
 PROJ.
 SHEET

REV	DATE	MODIFICATION DESCRIPTIO	DRAW	CHANGE	APPROVE
A0	2015/06/25	NEW	Hua.ZT		Hua.ZT