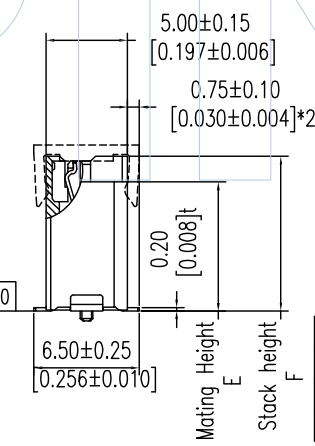
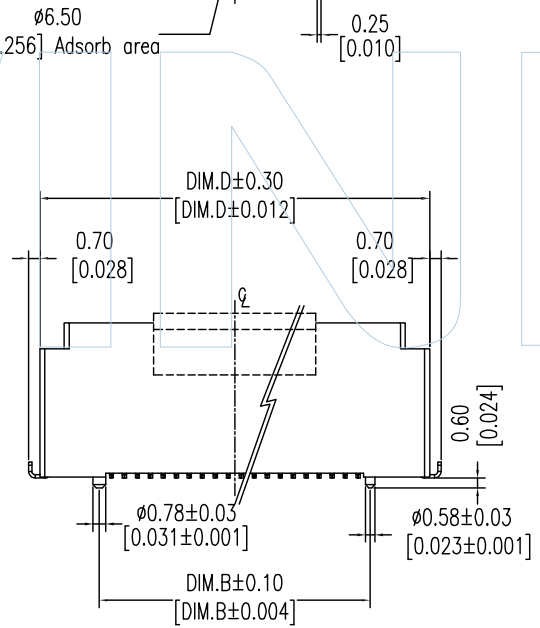
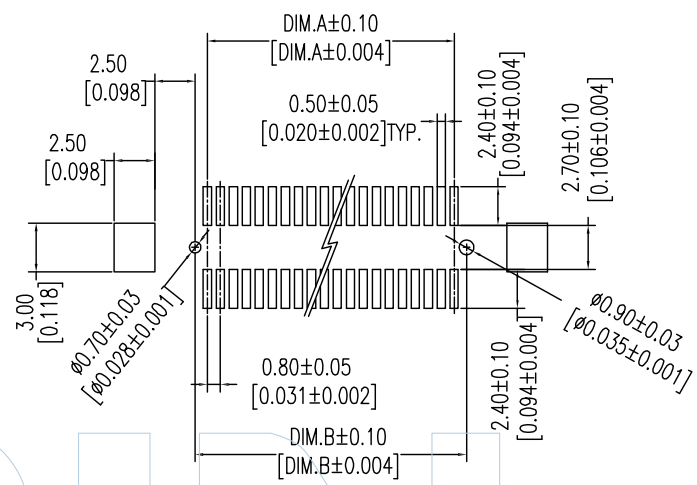
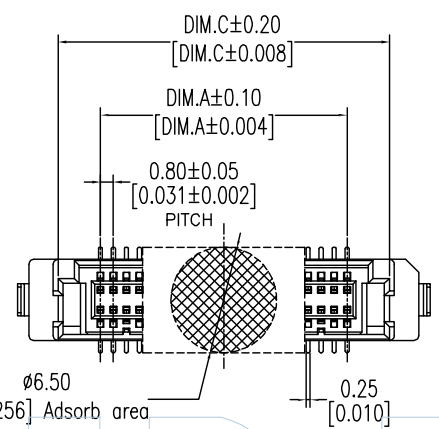


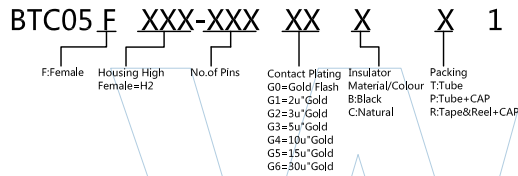


Recommended P. C. B Layout (Top Side)  
(PCB BOARD TOLERANCE+0.05)



PART NO	E	F
BTC05F065-XXXXXXX1	5.00	6.55
BTC05F095-XXXXXXX1	8.00	9.55
BTC05F125-XXXXXXX1	11.00	12.55

PART NUMBER CODING



NO. OF CONTACT	DIM. A	DIM. B	DIM. C	DIM. D
20	7.2	8.7	12.3	16
30	11.2	12.7	16.3	20
40	15.2	16.7	20.3	24
50	19.2	20.7	24.3	28
60	23.2	24.7	28.3	32
70	27.2	28.7	32.3	36
80	31.2	32.7	36.3	40
100	39.2	40.7	44.3	48
120	47.2	48.7	52.3	56
140	55.2	56.7	60.3	64



Tel: +86 769 82581808 FAX: +86 769 81766192  
 E-Mail: sales@winpin.net Http: www.winpin.net

PART NO: BTC05FXXX-XXXXXXX1

TITLE: 0.80mm B TO B "E" FEMALE SMT TYPE

NOTES:  
 Current Rating: 0.5AMP  
 Voltage Rating: 200V AC/300V DC  
 Contact Resistance: 70mΩ max  
 Insulation Resistance: 100MΩ Min  
 Operation Temperature: -40°C to +85°C

Housing Material: LCP(UL94V-0)  
 Contact Material: Phosphor Bronze  
 Contact plating: Au over Ni Plating  
 Hold Down Material: Brass

UNLESS OTHERWISE SPECIFIED DIMENSIONS ARE IN METRIC TOLERANCES ARE:  
 DECIMALS Angle  
 X.X: ±0.40 ± 3°  
 X.XX: ±0.25  
 X.XXX: ±0.15

SCALE	1:1
UNIT	MM
PROJ.	
SHEET	

A0	2015/06/25	NEW	Hua.ZT		Hua.ZT
REV	DATE	MODIFICATION DESCRIPTIO	DRAW	CHANGE	APPROVE