

SEED-106990329



PRODUCT DETAILS

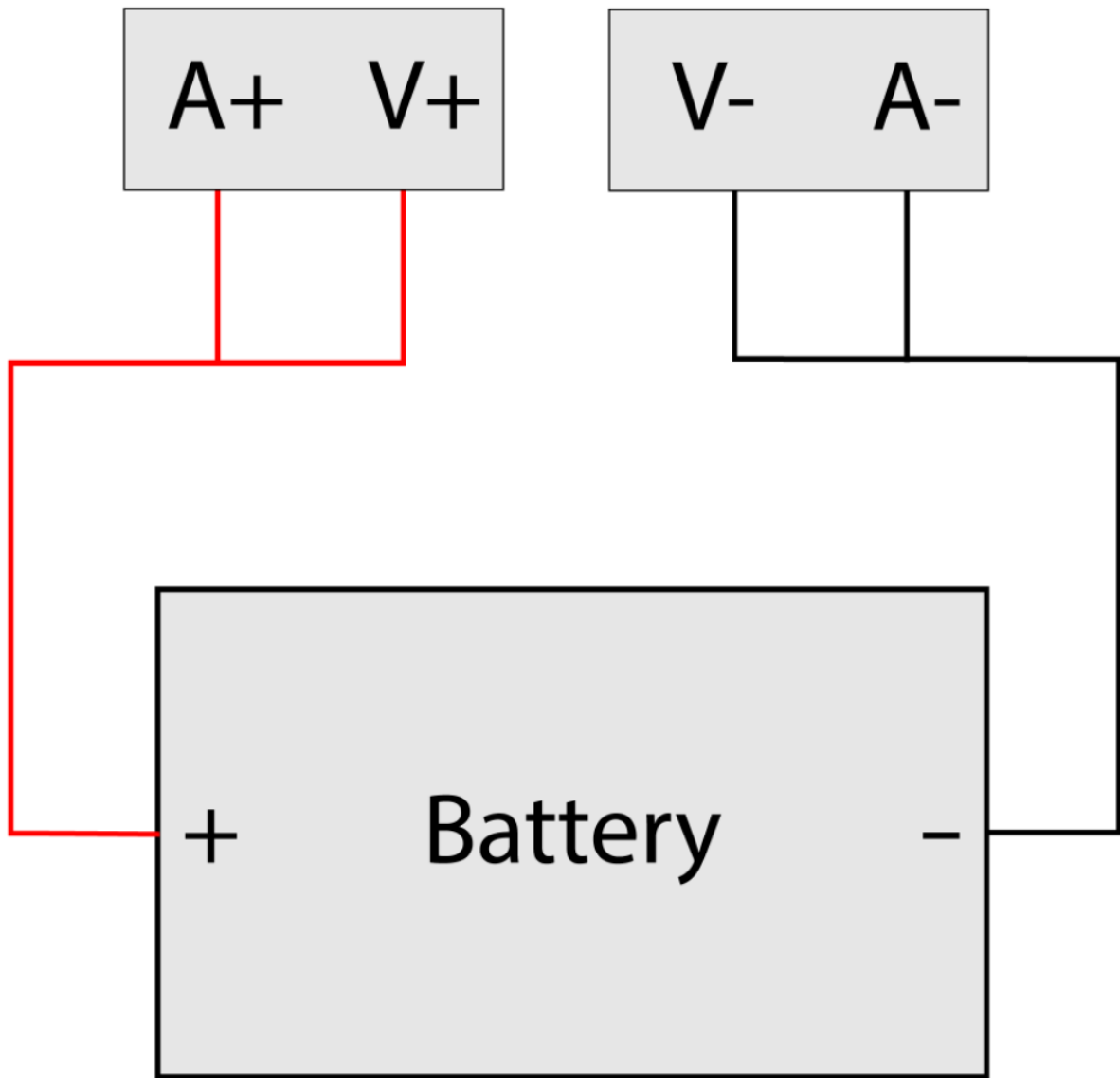
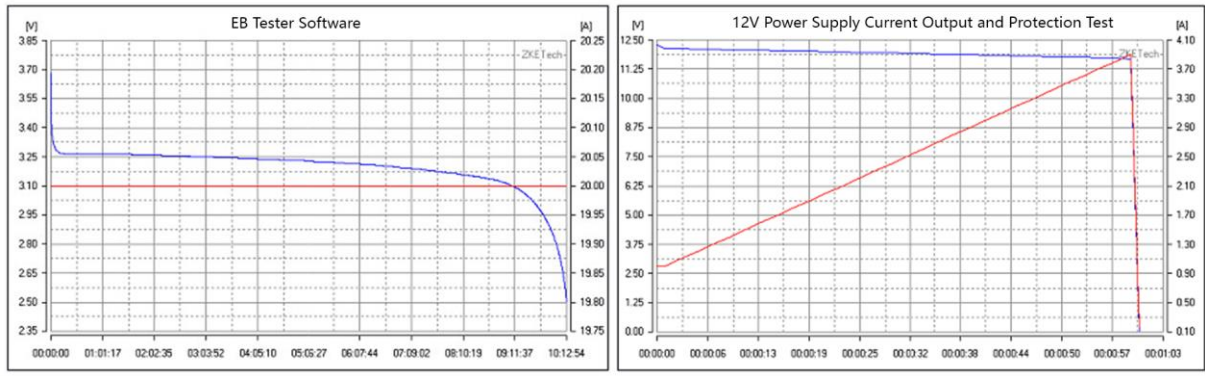
Features

- Performs battery capacity, discharging and power performance tests
- Supports up to 30V/20A/200W
- Digital display of test data (voltage, current, capacity, time, power, energy)
- Four-wire connection method
- Built-in Fan for better heat dissipation
- Measurement representation through PC software

Description

ZKETECH EBD-A20H is a DC electronic load with multiple battery discharge modes and suitable for various battery capacity tests and power tests.

A special software called "EB software" is used along with this device in order to precisely display the relevant test information. The software supports features such as curve drawing, computer control and can perform calibration benchmark tests, automatic current testing and firmware upgrades.



Specifications

- Power Supply: DC 12V/1A
- Voltage Setting: 0.00-30.00V, minimum step is 0.01V
- Current Setting: 0.1-20.00A, minimum step is 0.01A (Current automatically limits when power is overrun)

- Test mode: DSC-CC: constant discharge current for testing battery capacity or supply current/ DSC-CP: Constant discharge power for simulating constant power equipment or testing power supply
- Voltage Test: 0.000-4.500V (low pressure) accuracy to 0.003V, error $\pm 0.5\%$ / 4.50V-30.00V (high pressure) accuracy to 0.01V, error $\pm 0.5\%$
- Current Test: 0.10-20.00A, accuracy to 0.01A, error $\pm 0.5\%$
- Capacity Test: Within 10Ah, resolution is 0.001Ah/ 10Ah-100Ah resolution is 0.01Ah/ Above 100Ah resolution is 0.1Ah
- Discharge Power: Max 200W (It should be controlled within 90% for a long time working)

Parts List

- ZKETECH EBD-A20H DC Electronic Load/Battery Capacity & Discharge Tester/Power Supply Tester 30V 20A 200W
- Power Cable
- 4X Crocodile Test clips
- USB Interconnection Cable