



WT8266-S1 WiFi Module

Extreme / Open / Small / Easy

Specification

Version 1.0

2015/8/13

Disclaimer and Copyright Notice

Information in this document, including URL references, is subject to change without notice.

THIS DOCUMENT IS PROVIDED AS IS WITH NO WARRANTIES WHATSOEVER, INCLUDING ANY WARRANTY OF MERCHANTABILITY, NON-INFRINGEMENT, FITNESS FOR ANY PARTICULAR PURPOSE, OR ANY WARRANTY OTHERWISE ARISING OUT OF ANY PROPOSAL, SPECIFICATION OR SAMPLE. All liability, including liability for infringement of any proprietary rights, relating to use of information in this document is disclaimed. No licenses express or implied, by estoppel or otherwise, to any intellectual property rights are granted herein.

The WiFi Alliance Member Logo is a trademark of the WiFi Alliance.

All trade names, trademarks and registered trademarks mentioned in this document are property of their respective owners, and are hereby acknowledged.

Note

As the product upgrade or other reasons, this manual may change. Shenzhen Wireless-Tag Technology Co., Ltd has right to modify the contents of this manual without any notice or warning. This manual is only as a guide, Wireless-Tag Technology Co., Ltd Spareno effort to provide accurate information in this manual, but the Wireless-Tag can't guarantee manual there is no problem , all statements in this manual, information and suggestions do not constitute any guarantee of express or implication.

Contents

1. Overview	- 4 -
2. Main Features	- 4 -
3. Hardware Specifications	- 5 -
3.1 System Diagram	- 5 -
3.2 Pin Description	- 5 -
3.4 Electrical Characteristic	- 8 -
3.4.1 Maximum Ratings	- 8 -
3.4.2 Recommended Operating Environment	- 8 -
3.4.3 Digital Port Characteristics	- 8 -
3.5 Power Consumption	- 8 -
3.5.1 Operating Power Consumption	- 8 -
3.5.2 Standby Power Consumption	- 9 -
3.6 RF Characteristics	- 9 -
3.6.1 RF Configuration and General Specifications of Wireless LAN	- 9 -
3.6.2 RF Tx Characteristics	- 10 -
3.6.3 RF Rx Characteristics	- 10 -
4. Mechanical Dimensions	- 11 -
4.1 Module Size	- 11 -
4.2 Schematics	- 12 -
5. Product Trial	- 12 -

1. Overview

WT8266-S1 Wi-Fi module is a low consumption, high performance embedded Wi-Fi network control module designed by Wireless-Tag. It can meet the IoT application requirements in smart power grids, building automation, security and protection, smart home, remote health care etc.

The module's core processor ESP8266 integrates an enhanced version of Tensilica's L106 Diamond series 32-bit processor with smaller package size and 16 bit compact mode, main frequency support 80 MHz and 160 MHz, support RTOS, integrated Wi-Fi MAC / BB / RF / PA / LNA, on-board PCB antenna.

The module supports standard IEEE802.11 b / g / n protocol, a complete TCP / IP protocol stack. Users can use the module to add networking capabilities for existing equipment , also can build a separate network controller.

2. Main Features

- Operating Voltage: 3.3V
- Operating Temperature: -20 - 70°C
- CPU Tensilica L106
 - RAM 36KB (Available)
 - Flash 16Mbit
- System
 - 802.11 b/g/n
 - Integrated Tensilica L106 ultra-low power 32-bit micro MCU, with 16 bit compact mode, main frequency support 80 MHz and 160 MHz, support RTOS
 - WIFI 2.4 GHz, support WPA/WPA2
 - Ultra-Small 18.6mm*15.0mm
 - Integrated 10 bit high precision ADC
 - Integrated TCP/IP Stack
 - Integrated TR switch、 balun、 LNA、 Power amplifier and matching network
 - Integrated PLL、 Regulator and power source management components, +20 dBm output power in 802.11b mode
 - Supports antenna diversity
 - Deep sleep current < 10uA, Power down leakage current < 5uA
 - It can use an application processor SDIO 2.0、 SPI、 UART
 - Polymerization of STBC、 1x1 MIMO、 2x1 MIMO A-MPDU 、 A-MSDU and 0.4 guard interval
 - Wake up within 2ms, connect and transfer data packets
 - Standby power consumption < 1.0mW (DTIM3)
 - Support AT remote upgrades and cloud OTA upgrade

WT8266-S1 Specification

- Support STA/AP/STA+AP operation modes

3. Hardware Specifications

3.1 System Diagram

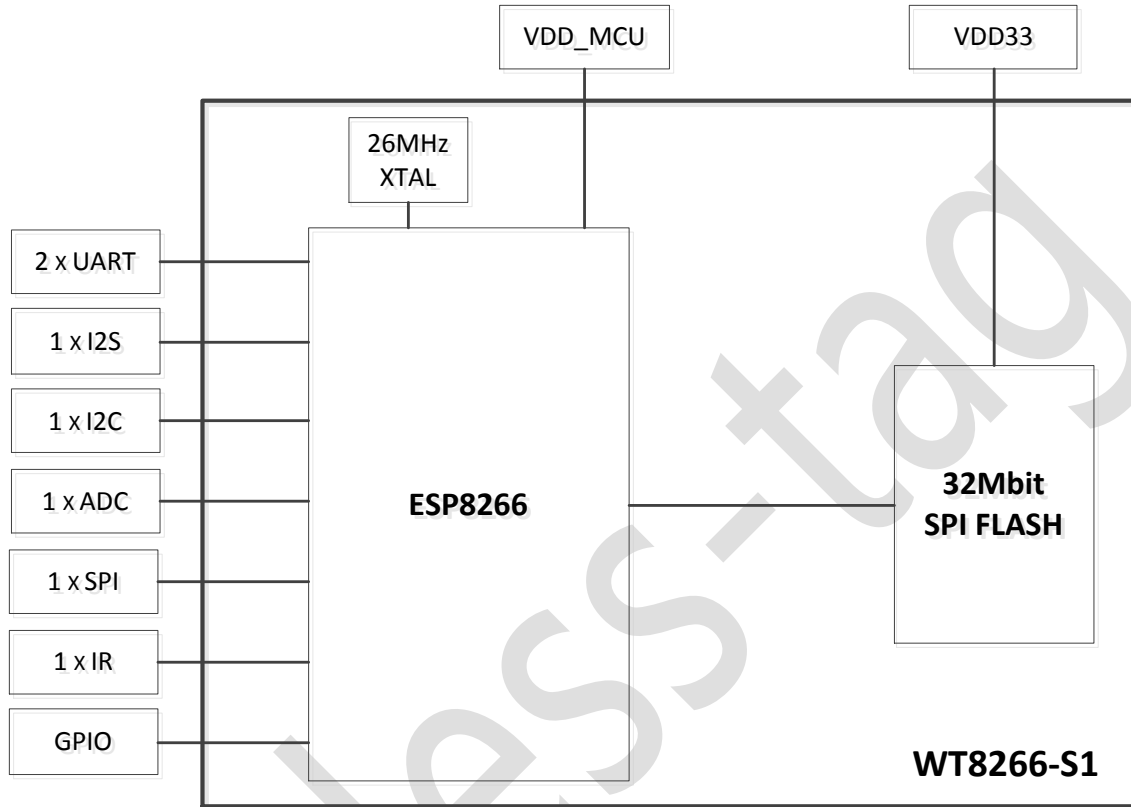


Figure-1 System Diagram

3.2 Pin Description

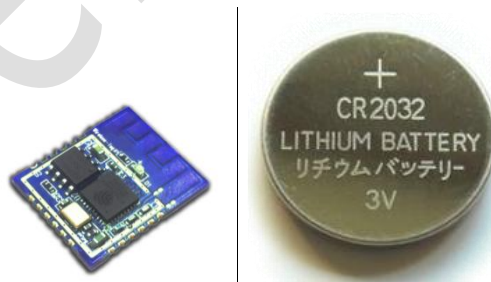


Figure-2 Physical Map (Top View)

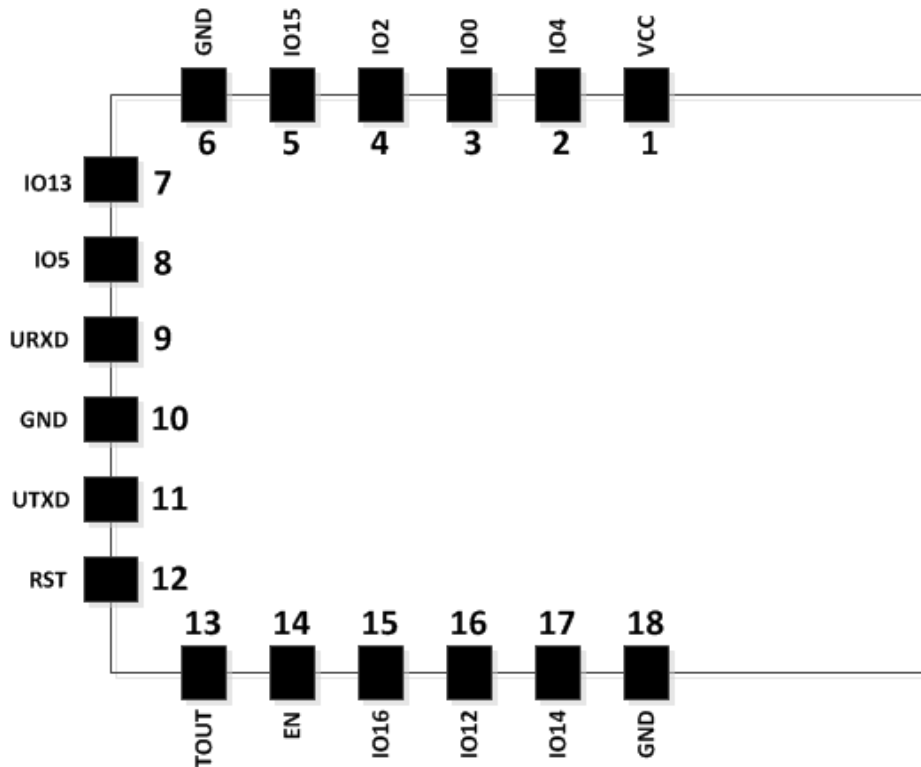


Figure-3 WT8266-S1 Pinout (Top View)

Table 1 Pin Definition and Description

Pin	Name	Description
1	VCC	3.3V supply (VDD)
2	IO4	GPIO4
3	IO0	GPIO0
4	IO2	GPIO2;UART1_TXD
5	IO15	GPIO15;MIDO; HSPICS;UART0_RTS
6	GND	GND
7	IO13	GPIO13; HSPI_MOSI;UART0_CTS
8	IO5	GPIO5
9	URXD	UART0_RXD;GPIO3
10	GND	GND
11	UTXD	UART0_TXD;GPIO1
12	RST	Reset Module
13	TOUT	Detecting chip VDD3P3 supply voltage or TOUT pin input voltage (not available at the same time)
14	EN	Chip Enable. High: On, chip works properly; Low: Off, small current
15	IO16	GPIO16; Deep sleep wakeup, by connecting to RST pin
16	IO12	GPIO12;HSPI_MISO

WT8266-S1 Specification

17	IO14	GPIO14;HSPI_CLK
18	GND	GND

Note:

Table-2 Pin Mode

Mode	GPIO15	GPIO0	GPIO2
UARTDownload Mode	Low	Low	High
Flash Boot Mode	Low	High	High

Table-3 Interface Description

Name	Pin	Function Description
HSPI Interface	IO12(MISO),IO13(MOSI),IO14(CLK),IO15(CS)	Can connect external SPI Flash, display and MCU etc.
PWM Interface	IO12(R),IO15(G),IO13(B)	The official demo provides 4-channel PWM (user can expand to 8-channel), can be used to control lights, buzzers, relays and motors, etc.
IR Interface	IO14(IR_T), IO5(IR_R)	The functionality of Infrared remote control interface can be implemented via software programming. NEC coding, modulation, and demodulation are used by this interface. The frequency of modulated carrier signal is 38KHz.
ADC Interface	TOUT	ESP8266EX is embedded with a 10-bit precision SARADC. ADC_IN interface is used to test the power supply voltage of VDD3P3(Pin 3 and Pin 4), as well as the input voltage of TOUT (Pin 6). It can be used in sensors.
I2C Interface	IO14(SCL), IO2(SDA)	Can connect to external sensor and display, etc.
UART Interface	UART0: TXD(U0TXD),RXD(U0RXD),IO15(RTS),IO13(CTS) UART1: IO2(TXD)	Devices with UART interfaces can be connected Download: U0TXD+U0RXD or GPIO2+U0RXD Communication(UART0):U0TXD,U0RXD,MTDO(U0RTS),MTCK(UOCTS) Debug: UART1_TXD(GPIO2)Can be used to print debugging information By default, UART0 will output some printed information when the device is powered on and is booting up. If this issue exerts influence on some specific applications, users can exchange the inner pins of UART when initializing, that is to say, exchange U0TXD, U0RXD with U0RTS, UOCTS.
I2S Interface	I2S input: IO12 (I2SI_DATA); IO13 (I2SI_BCK); IO14 (I2SI_WS);	Mainly used for audio capture, processing and transfer.

WT8266-S1 Specification

	I2S output: IO15 (I2SO_BCK); IO3 (I2SO_DATA); IO2 (I2SO_WS);	
--	---	--

3.4 Electrical Characteristic

3.4.1 Maximum Ratings

Table- 4. Maximum Ratings

Ratings	Condition	Value	Unit
Storage Temperature		-40 to 125	°C
Maximum Soldering Temperature		260	°C
Supply Voltage	IPC/JEDEC J-STD-020	+3.0 to +3.6	V

3.4.2 Recommended Operating Environment

Table -5 Recommended Operating Environment

Working Environment	Name	Min Value	Typical Values	Max Value	Unit
Operating Temperature		-20	20	70	°C
Supply Voltage	VDD	3.0	3.3	3.6	V

3.4.3 Digital Port Characteristics

Table -6 Digital Port Characteristics

Port	Typical Values	Min Value	Max Value	Unit
Input low logic level	VIL	-0.3	0.25VDD	V
Input high logic level	VIH	0.75vdd	VDD+0.3	V
Output low logic level	VOL	N	0.1VDD	V
Output high logic level	VOL	0.8VDD	N	V

3.5 Power Consumption

3.5.1 Operating Power Consumption

Table -7 Operating Power Consumption

Mode	Standard	Speed Rate	Typical Value	Unit
Tx	11b	1	215	mA
		11	197	
	11g	6	197	
		54	145	

WT8266-S1 Specification

	11n	MCS7	120	
Rx	All rates		56	mA

Note: RX mode data packet length is 1024 bytes;

3.5.2 Standby Power Consumption

The following current consumption is based on 3.3V supply, and 25°C ambient, using internal regulators. Measurements are done at antenna port without SAW filter. All the transmitter 's measurements are based on 90% duty cycle, continuous transmit mode.

Table -8 Standby Power Consumption

Mode	Status	Typical Value				
Standby	Modem Sleep	15mA				
	Light Sleep	0.9mA				
	Deep Sleep	10uA				
	Off	0.5uA				
Power Save Mode (2.4G) (Low Power Listen disabled) ¹	DTIM period	Current Cons. (mA)	T1 (ms)	T2 (ms)	Tbeacon (ms)	T3 (ms)
	DTIM 1	1.2	2.01	0.36	0.99	0.39
	DTIM 3	0.9	1.99	0.32	1.06	0.41

①: Modem-Sleep requires the CPU to be working, as in PWM or I2S applications. According to 802.11 standards (like U-APSD), it saves power to shut down the Wi-Fi Modem circuit while maintaining a Wi-Fi connection with no data transmission. E.g. in DTIM3, to maintain a sleep 300ms-wake 3ms cycle to receive AP's Beacon packages, the current is about 15mA.

②: During Light-Sleep, the CPU may be suspended in applications like Wi-Fi switch. Without data transmission, the Wi-Fi Modem circuit can be turned off and CPU suspended to save power according to the 802.11 standard (U-APSD). E.g. in DTIM3, to maintain a sleep 300ms-wake 3ms cycle to receive AP's Beacon packages, the current is about 0.9mA.

③: Deep-Sleep does not require Wi-Fi connection to be maintained. For application with long time lags between data transmission, e.g. a temperature sensor that checks the temperature every 100s, sleep 300s and waking up to connect to the AP (taking about 0.3~1s), the overall average current is less than 1mA.

3.6 RF Characteristics

3.6.1 RF Configuration and General Specifications of Wireless LAN

Table-9 RF Configuration and General Specifications of Wireless LAN

Items	Specifications		Unit
Country/Domain Code	Reserved		—
Center Frequency	11b	2.412-2.472	GHz
	11g	2.412-2.472	GHz
	11n HT20	2.412-2.472	GHz

WT8266-S1 Specification

Rate	11b	1, 2, 5.5, 11	Mbps
	11g	6, 9, 12, 18, 24, 36, 48, 54	Mbps
	11n 1stream	MCS0, 1, 2, 3, 4, 5, 6, 7	Mbps
Modulation type	11b	DSSS	—
	11g/n	OFDM	—

3.6.2 RF Tx Characteristics

Table-10 Emission Characteristics

Mark	Parameters	Condition	Min Value	Typical Value	Max Value	Unit
Ftx	Input Frequency	—	2.412	—	2.484	GHz
Pout	Output Power					
	11b	1Mbps	—	19.5	—	dBm
		11Mbps	—	18.5	—	dBm
		54Mbps	—	16	—	dBm
		MCS7	—	14	—	dBm

3.6.3 RF Rx Characteristics

Table-11RF Receiving Characteristics

Mark	Parameters	Condition	Min Value	Typical Value	Max Value	Unit
FrX	Input Frequency	—	2.412	—	2.484	GHz
Srf	Sensitivity					
	DSSS	1 Mbps	—	-98	—	dBm
		11 Mbps	—	-91	—	dBm
	OFDM	6 Mbps	—	-93	—	dBm
		54 Mbps	—	-75	—	dBm
	HT20	MCS7	—	-71	—	dBm

4. Mechanical Dimensions

4.1 Module Size

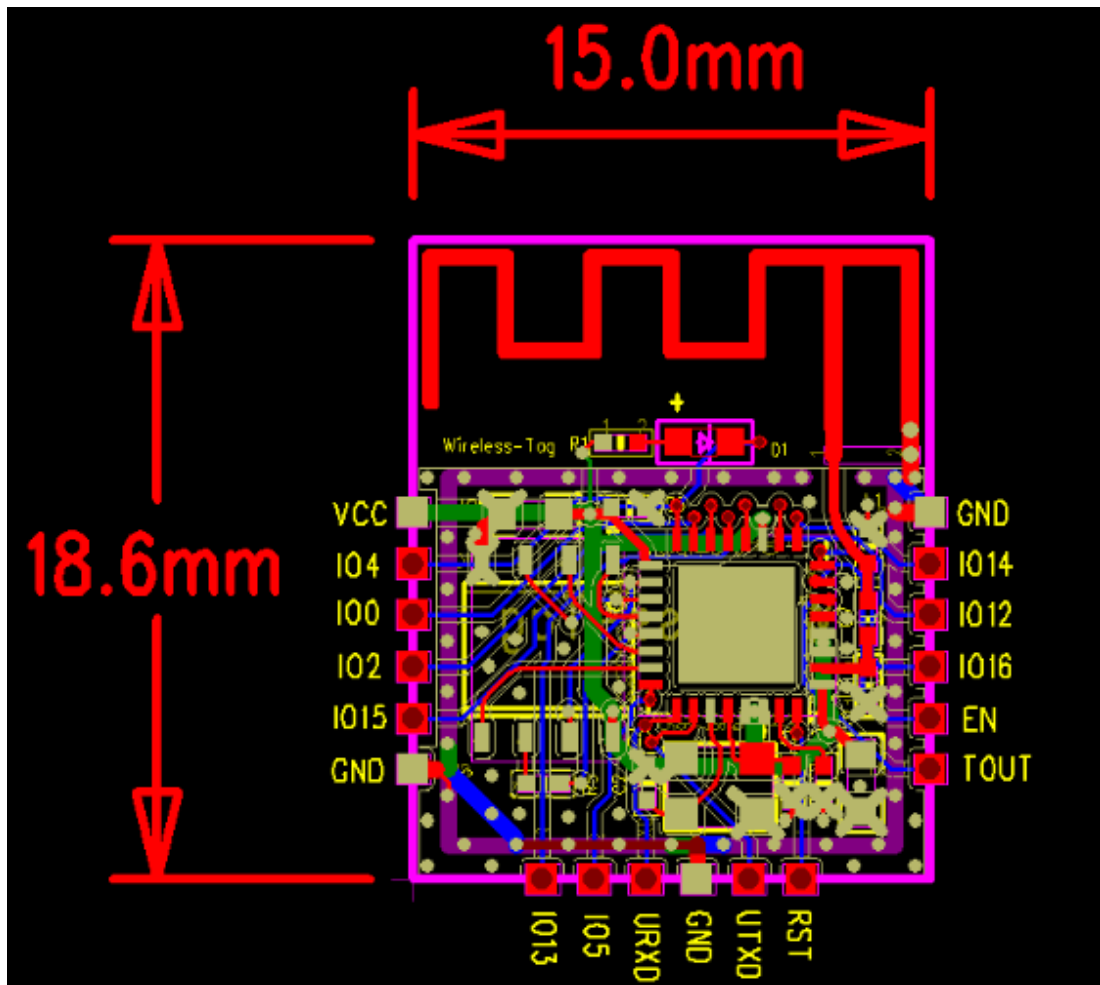


Figure-4 Module Size (Top View)

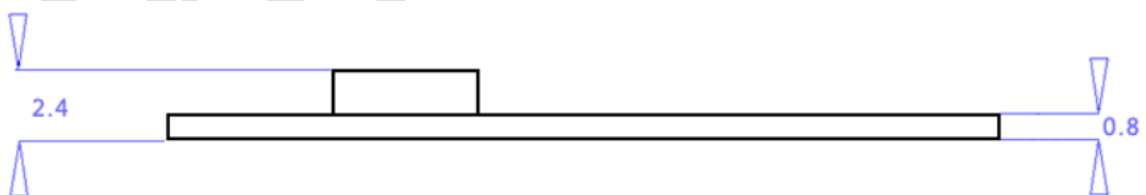


Figure -5 Module Size (Side View) (Unit: mm)

4.2 Schematics

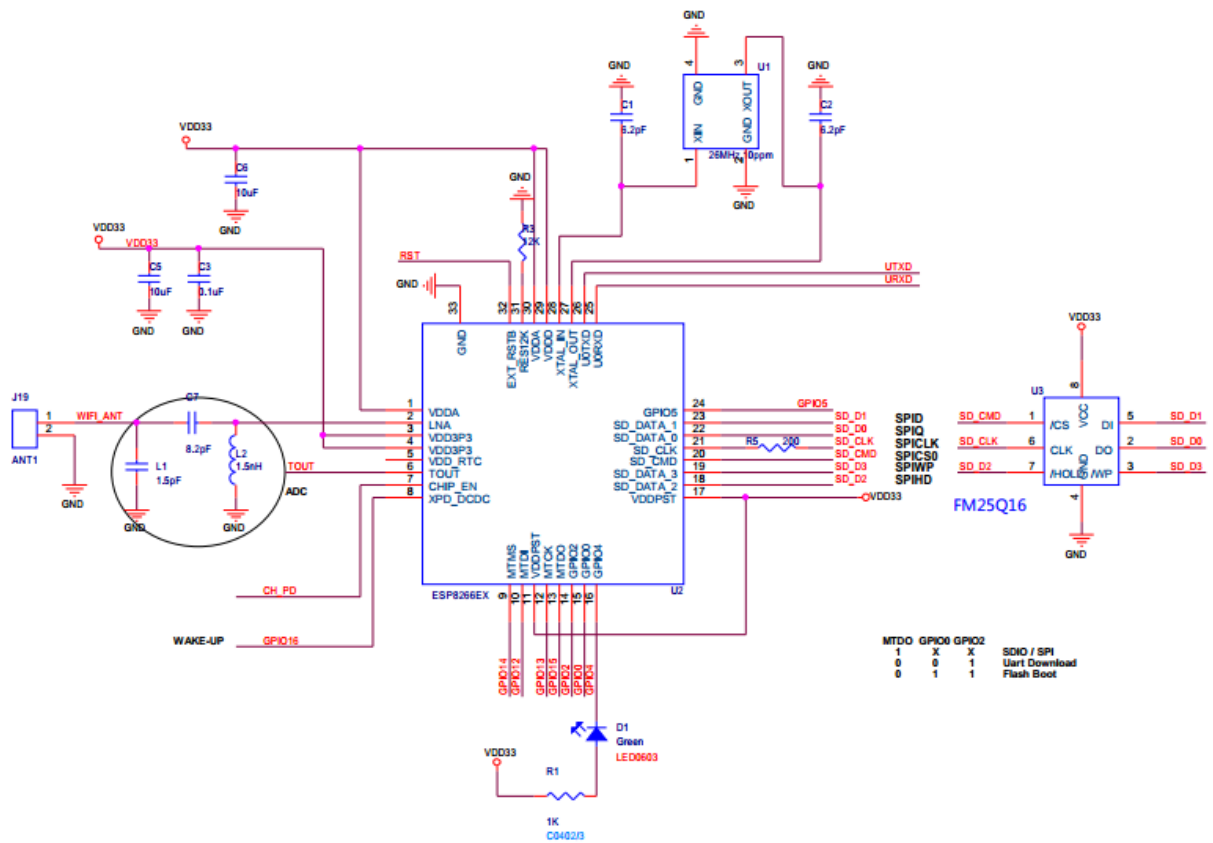


Figure -6 WT8266-S1 Schematics

5. Product Trial

- Aliexpress Store : <http://www.aliexpress.com/store/1784058>
- Forum : bbs.wireless-tag.com
- Technical Support : support@wireless-tag.com