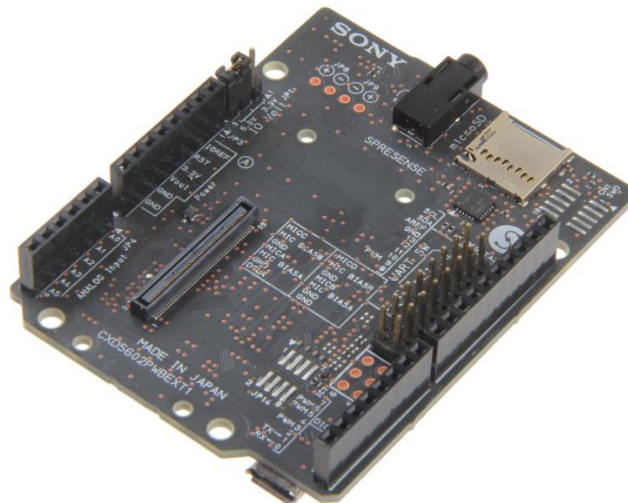


# SEED-102100002

## Spresense Extension Board



## PRODUCT DETAILS

### Description

The Spresense extension board is a board which extends the interfaces compared to the Spresense main board. The Spresense main board and the Spresense extension board are connected by a Board-to-Board (B-2-B) connector. The Spresense extension board has Arduino Uno pin compatible shape and pin socket locations. However, there are some differences compared to the Arduino Uno. For details, please refer to the [Differences between Spresense and Arduino Uno](#).

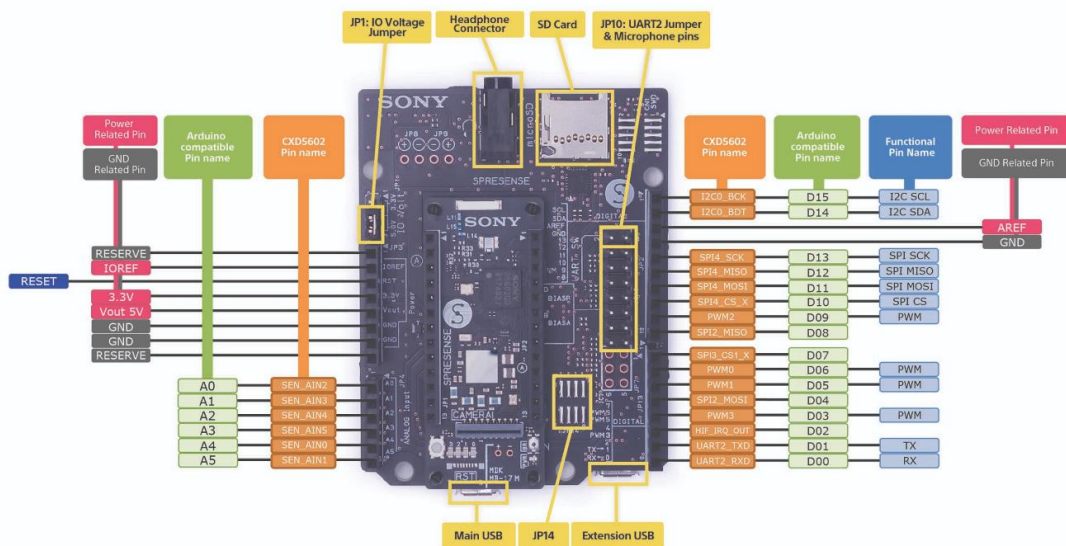
The Spresense extension board has the following connectors in addition to Arduino Uno compatible pin sockets.

- 3.5 mm headphone jack

- Micro SD card
- An extra USB port
- Multiple microphone pins

The Spresense extension board has the following connectors in addition to Arduino Uno compatible pin sockets.

- 3.5 mm headphone jack
- Micro SD card
- An extra USB port
- Multiple microphone pins



Name	Description
CN3	B-2-B connector 100 pins connector for the main board.
CN4	Micro SD card.
CN6	Micro USB Type-B connector. It can provide USB MSC (Mass Storage Class) function allowing access to the SD card on the extension board directly from the PC.
CN7	Headphone 3-pole 3.5mm jack.
JP1	GPIO voltage can be set to 5V or 3.3V by using a jumper on JP1. A standard 2.54mm pitch jumper should be used. This one will be supplied with the extension board.
JP10 - pins 3 to 16	Microphone connector. These pins connect analog or digital microphone. Please refer <a href="#">How to use microphones</a> for details.
JP10 - pins 1 and 2	You can disable UART2 on the extension board by closing pin 1 and 2 on JP10. This allows UART2 on the main board to be used at 1.8V I/O. No jumper is shipped with the extension board, a 2.54 mm pitch jumper should be used.
JP14	Jumpers to support digital microphones on JP10. Please refer <a href="#">How to use microphones</a> for details.

## Part List

1 x Spresense extension board