

Adaptor

The Best Wireless Solution!

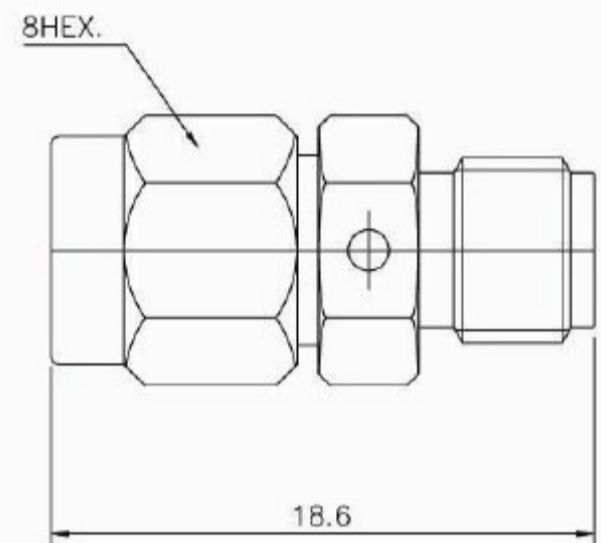
SMA Male to Female S/T adaptor (SMA plug to jack Straight ADP)

P.N. : B11-A2118-01



Electrical specification

Item	Specification
Frequency range(GHz)	DC ~ 18 GHz
Impedance (Nominal)	50Ω
V.S.W.R (Max)	1.20 : 1
Connector type	SMA male – female
RoHS	Compliance



Material specification

Item	Specification
Body	Brass / Gold plating
Center contact (pin)	Brass / Be-Cu // Gold plating
Insulator	PTFE

Electrical performance

