

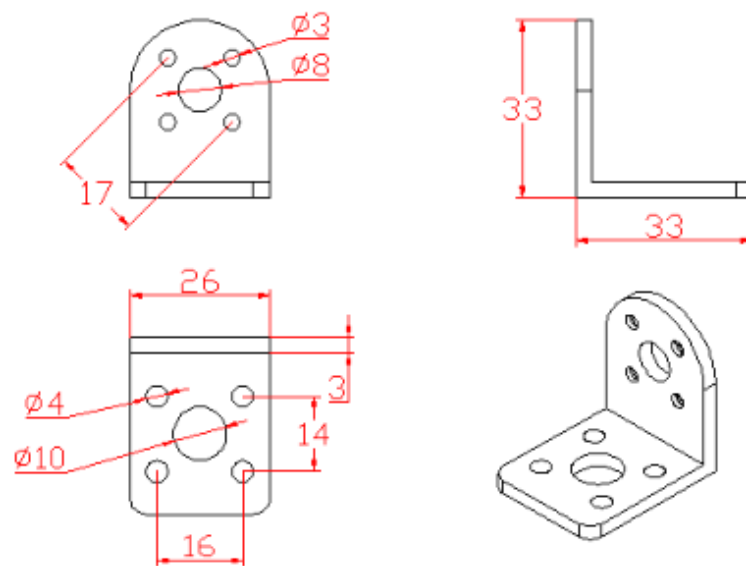
SEED-114090048 Datasheet

PRODUCT DETAILS

The motor bracket is suitable for JGA25 motors with internal threads on the bracket. You can use the M4 screw to secure it directly to the base plate without the need for a nut.

Features

- Material: aluminum alloy
- Pairing: JGA25 motor



Applications

- Fixed Motor
- Making a Robot

Part List

- 1 x JGA25-371 Motor Bracket
- 1 x Screw pack