

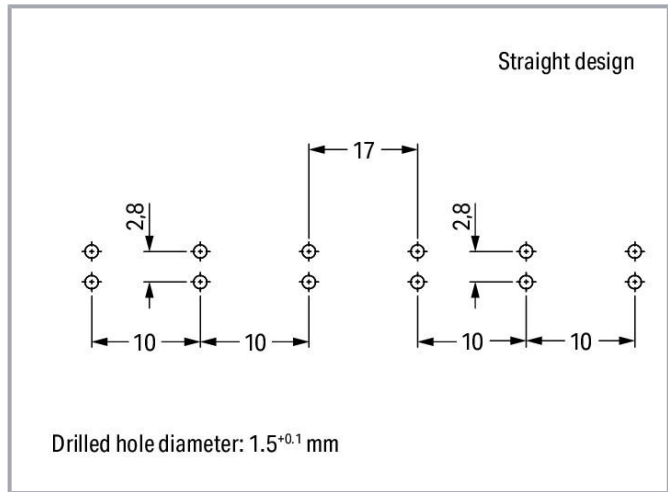
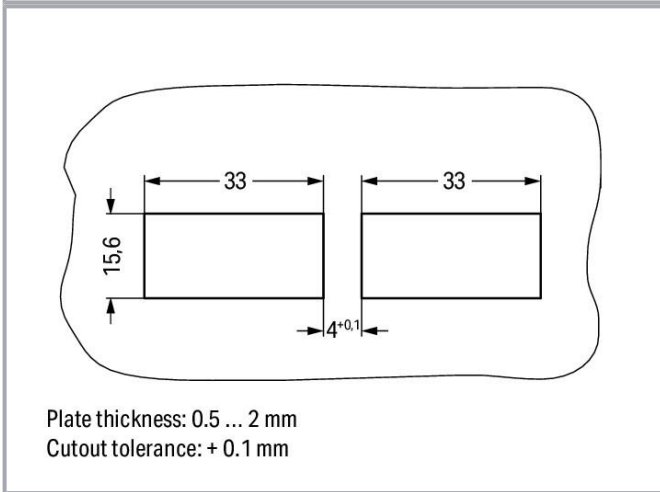
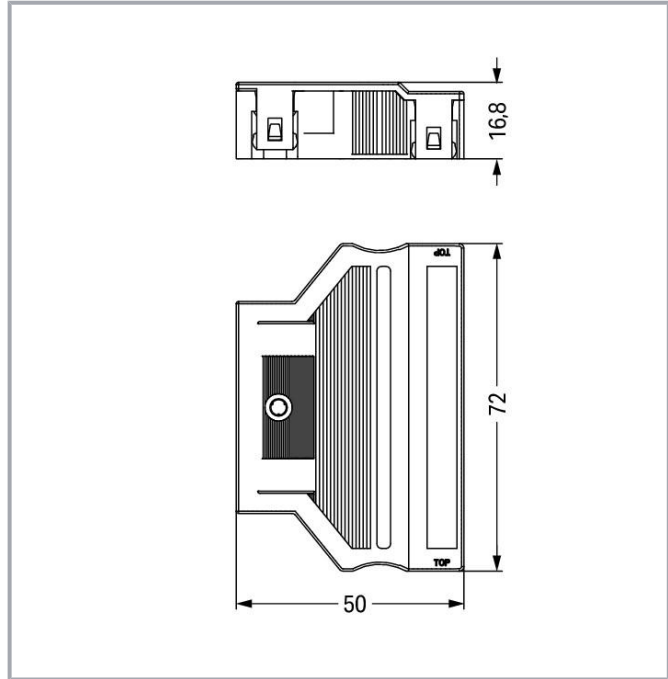
Data sheet | Item number: 770-516/029-000

Strain relief housing; 6-pole; for 2 cables; 8.5 ... 13.5 mm; 55 mm; white

www.wago.com/770-516/029-000



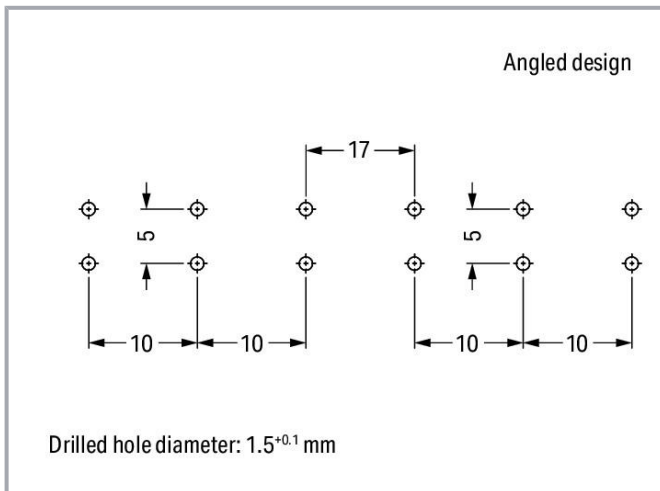
Color: 



Subject to changes. Please also observe the further product documentation!

WAGO GmbH & Co. KG
Hansastr. 27
32423 Minden
Phone: +49571 887-0 | Fax: +49571 887-169
Email: info.de@wago.com | Web: www.wago.com

Do you have any questions about our products?
We are always happy to take your call at +49 (571) 887-44222.



Item description

Strain relief housing *WINSTA*® MIDI 6-pole

Implement your installation project effortlessly: The strain relief housing from the *WINSTA*® MIDI product line is the solution for quick, straightforward installation. A comprehensive range of accessories complements the *WINSTA*® product line from WAGO. Our *WINSTA*® MIDI product line allows flexibility for the installation. With its Push-in CAGE CLAMP® spring pressure connection technology, it ensures error-free, time-saving installation and offers flexibility for meeting all installation requirements. A range up to 55 mm can be used for the strip length.

WINSTA® MIDI solutions for your electrical installation – maintenance-free

WINSTA® is the pluggable connection system that is optimally tailored to the strict requirements of electrical installation. It allows fast, secure and, above all, error-free installation of components and cables. Choose quality and durability – the *WINSTA*® MIDI accessory from WAGO makes the installation of electrical components substantially easier.

- simple circuits
- convenient installation and commissioning

Data

Connection data

Subject to changes. Please also observe the further product documentation!

WAGO GmbH & Co. KG
Hansastr. 27
32423 Minden
Phone: +49571 887-0 | Fax: +49571 887-169
Email: info.de@wago.com | Web: www.wago.com

Do you have any questions about our products?
We are always happy to take your call at +49 (571) 887-44222.



Connection 1

Pole number	6
Connectable sheathed cable diameter	8.5 ... 13.5 mm
Strip length (outer insulation)	55 mm

Physical data

Width	72 mm / 2.835 inch
Height	16.8 mm / 0.661 inch
Depth	50 mm / 1.969 inch

Material data

Note (material data)	Information on material data can be found here
Color	white
Insulation material	Polyamide (PA66)
Fire load	0.466 MJ
Weight	16.6 g

Environmental requirements

Processing temperature	-5 ... +40 °C
Continuous operating temperature	-35 ... +85 °C
Note on continuous operating temperature	Insulating parts for temperatures \leq 105 °C

Commercial data

PU (SPU)	20 Stück
Packaging type	box
Country of origin VKOrg Germany	DE
GTIN	4045454001810
Customs tariff number VKOrg Germany	85389099990

Approvals / Certificates

Ship Approvals

Logo	Approval	Additional Approval Text	Certificate name
	LR Lloyds Register	IEC 61984	02/20050 (E6)

Subject to changes. Please also observe the further product documentation!



Optional accessories

Marking accessories

Marking strip

Item no.: 210-333

Marking strips; as a DIN A4 sheet; Strip width 6 mm; Strip length 182 mm; plain; Self-adhesive; white

www.wago.com/210-333

Downloads

Documentation

Bid Text

770-516/029-000 X81 - Datei	19 Şub 2019	xml 2.9 kB	Download
770-516/029-000 doc - Datei	6 Oca 2015	doc 24.1 kB	Download

CAD/CAE-Data

CAE data

WSCAD Universe 770-516/029-000	URL	Download
ZUKEN Portal 770-516/029-000	URL	Download
WSCAD Universe 770-516/029-000	URL	Download

CAD data

2D/3D Models 770-516/029-000	URL	Download
------------------------------	-----	----------

Environmental Product Compliance

Compliance Search

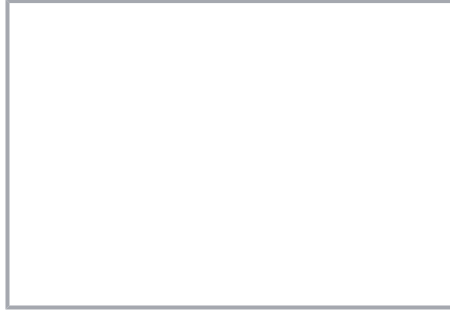
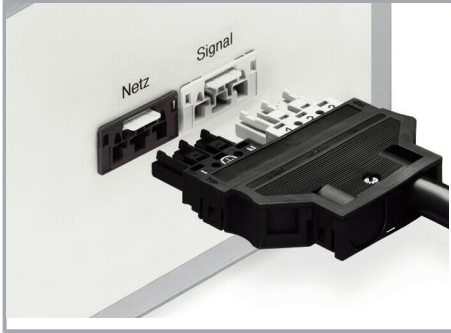
Environmental Product Compliance 770-516/029-000	URL	Download
--	-----	----------

Subject to changes. Please also observe the further product documentation!

Strain relief housing; 6-pole; for 2 cables; 8.5 ... 13.5 mm; 55 mm; white

Installation Notes

Application



Snap-on type strain relief housings for:

- Two 3-pole sockets
- Two 3-pole plugs
- Three-pole socket and plug

Product family

WINSTA® MIDI

[Show all products from the family](#)

Subject to changes. Please also observe the further product documentation!