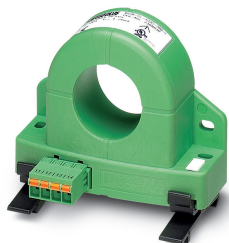


Universal current transducer - MCR-SL-CUC-200-I - 2308030

Please be informed that the data shown in this PDF Document is generated from our Online Catalog. Please find the complete data in the user's documentation. Our General Terms of Use for Downloads are valid (<http://phoenixcontact.com/download>)



Universal current transducer, for measuring AC, DC, and distorted currents, 0 ... 200 A input current, 4 ... 20 mA output

Your advantages

- ✓ Variable mounting on DIN rail and mounting plate
- ✓ Simple connection technology thanks to COMBICON plug-in connection terminal blocks
- ✓ Compact dimensions also enable distributed use
- ✓ Universal current measurement, no shunt required
- ✓ 3-way isolation



Key Commercial Data

Packing unit	1 pc
GTIN	
GTIN	4046356434058

Technical data

Dimensions

Width	90 mm
Height	33.8 mm
Depth	85 mm

Ambient conditions

Ambient temperature (operation)	-40 °C ... 65 °C
Ambient temperature (storage/transport)	-40 °C ... 85 °C
Degree of protection	IP20
Noise immunity	EN 61000-6-2

Input data

Number of inputs	1
------------------	---

Universal current transducer - MCR-SL-CUC-200-I - 2308030

Technical data

Input data

Input current range	0 A ... 200 A
Overload capacity	3 × I _{IN}
Frequency measuring range	20 Hz ... 6000 Hz (0 Hz)
Connection method	Cable design: 32 mm diameter
Rated frequency: Standard converter	20 Hz ... 6000 Hz
Primary rated current I _{pn}	200 A

Output data

Output name	Current output
Current output signal	4 mA ... 20 mA
Max. output current	< 25 mA
Load/output load current output	< 300 Ω

Switching output

Output name	No switching output
-------------	---------------------

Power supply

Nominal supply voltage	24 V DC
Supply voltage range	20 V DC ... 30 V DC
Max. current consumption	(30 + I _{OUT}) mA
Power consumption	1.65 W

Connection data

Connection method	Push-in connection
Stripping length	10 mm
Conductor cross section solid	0.25 mm ² ... 2.5 mm ²
Conductor cross section flexible	0.2 mm ² ... 2.5 mm ²
Conductor cross section AWG	24 ... 12

General

Accuracy class	1
Maximum transmission error	<± 1 % (of final value)
Temperature coefficient, typical	0.02 %/K (0 °C ... 60 °C) 0.04 %/K (-40 °C ... 65 °C)
Linearity error	<± 1 % (From the range end value)
Step response (10-90%)	150 ms
Overvoltage category	III
Degree of pollution	2
Rated insulation voltage	300 V AC
Test voltage input/output	3.5 kV (50 Hz, 1 min.)
Test voltage input/power supply	3.5 kV (50 Hz, 1 min.)
Noise emission	EN 61000-6-4
Noise immunity	EN 61000-6-2

Universal current transducer - MCR-SL-CUC-200-I - 2308030

Technical data

General

Housing material	Frianyl B63 V0 GV30
------------------	---------------------

Standards and Regulations

Noise emission	EN 61000-6-4
Noise immunity	EN 61000-6-2

Conformance/approvals

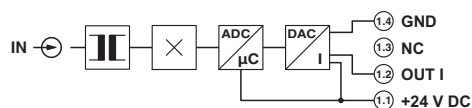
Designation	CE
Certificate	CE-compliant
Designation	UL, USA / Canada
Identification	UL/C-UL Listed UL 508

Environmental Product Compliance

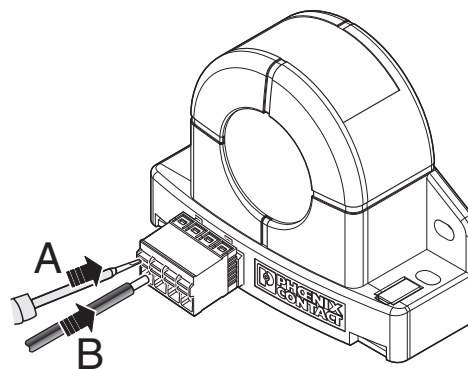
China RoHS	Environmentally Friendly Use Period = 25; For details about hazardous substances go to tab "Downloads", Category "Manufacturer's declaration"
------------	---

Drawings

Circuit diagram

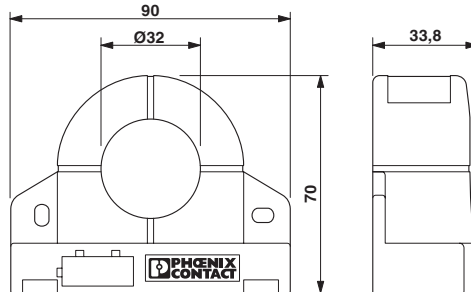


Schematic diagram



Universal current transducer - MCR-SL-CUC-200-I - 2308030

Dimensional drawing



Classifications

eCl@ss

eCl@ss 10.0.1	27210902
eCl@ss 11.0	27210902
eCl@ss 4.0	27210900
eCl@ss 4.1	27210900
eCl@ss 5.0	27210900
eCl@ss 5.1	27210900
eCl@ss 6.0	27210900
eCl@ss 7.0	27210902
eCl@ss 9.0	27210902

ETIM

ETIM 3.0	EC002048
ETIM 4.0	EC002048
ETIM 6.0	EC002048
ETIM 7.0	EC002048

UNSPSC

UNSPSC 6.01	30211504
UNSPSC 7.0901	39121006
UNSPSC 11	39121006
UNSPSC 12.01	39121006
UNSPSC 13.2	39121032
UNSPSC 18.0	39121032
UNSPSC 19.0	39121032
UNSPSC 20.0	39121032
UNSPSC 21.0	39121032

Approvals

Approvals

Universal current transducer - MCR-SL-CUC-200-I - 2308030

Approvals

Approvals

UL Listed / cUL Listed / EAC / cULus Listed

Ex Approvals

Approval details

UL Listed		http://database.ul.com/cgi-bin/XYV/template/LISEXT/1FRAME/index.htm	FILE E 123528
cUL Listed		http://database.ul.com/cgi-bin/XYV/template/LISEXT/1FRAME/index.htm	FILE E 123528
EAC			RU*DE.*08.B.01852-19
cULus Listed			

Phoenix Contact 2022 © - all rights reserved
<http://www.phoenixcontact.com>

PHOENIX CONTACT GmbH & Co. KG
Flachsmarktstr. 8
32825 Blomberg
Germany
Tel. +49 5235 300
Fax +49 5235 3 41200
<http://www.phoenixcontact.com>