

Electrical characteristics(电气性能)

| | |
|-----------------------------------|---|
| 1.总阻 Total Resistance | 10K |
| 2.总阻误差 Total Resistance Tolerance | ±20% |
| 3.阻值线性 Resistance Taper | B |
| 4.额定功率 Rated Power | Taper B:0.0125 |
| 5.耐电压 Withstand Voltage | More then 100MΩ at DC250V for 1Minute |
| 6.绝缘电阻 Insulation Resistance | 1minute at Ac250Vfor 1Minute |
| 7.最大工作电压 Max. Operating Voltage | Taper B; AC50V or 5.0V |
| 8.分压误差值 VOLTAGE DIVIDER ERROR | 40%-60%摇杆自由复位后.端子 1-2 与端子 1-3 之间的电压比例, 将 5V 电压加在 1-3 端子上, 分压误差值在摇杆在 Y-Y 方向自由复位后测试 |

Mechanical characteristics (机械性能)

| | |
|------------------------------------|--------------------------------|
| 1.摆杆工作模式 Figure of lever operation | Circular operating |
| 2.止档强度 Stopper Strength | 3.1Kg.cmM |
| 3.摆杆工作角度 Operating angle of lever | 60° ±3° |
| 4.推拉强度 Push-Pull Strength | Push/Pull :5.0Kgf Min for 3Sec |
| 5.操作力度 Operating Force | 250gf.Ccm Max |
| 6.回复精度 Accuracy of rest position | ±3° |

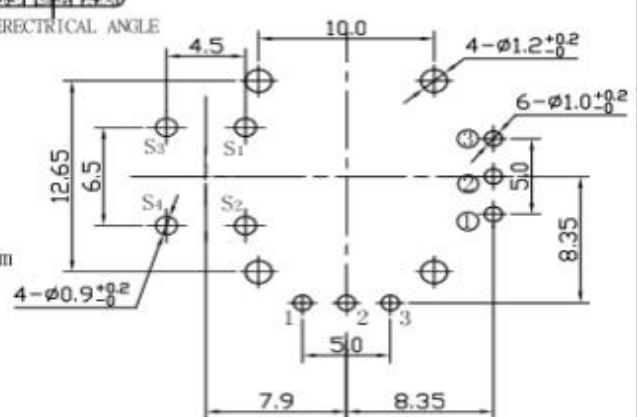
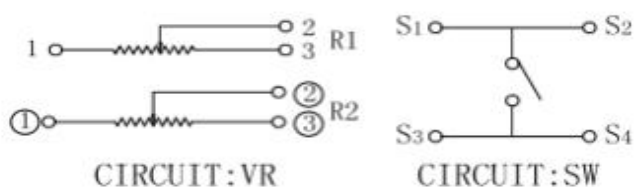
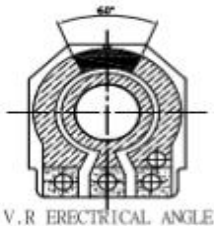
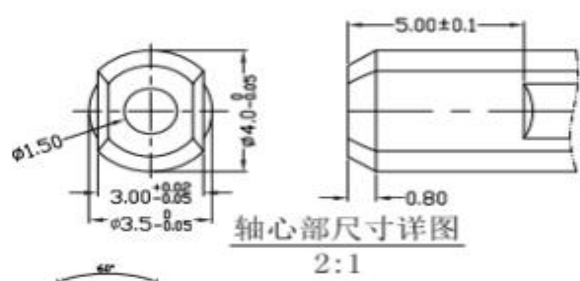
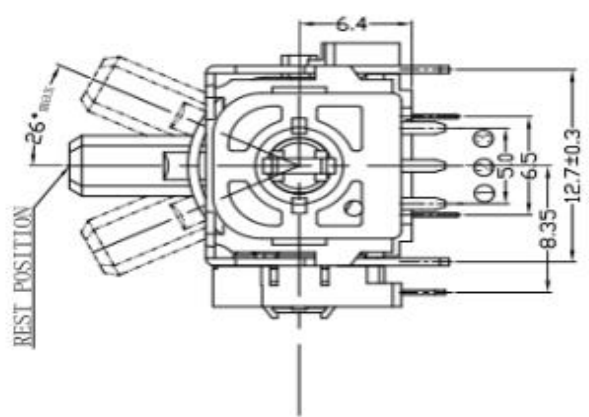
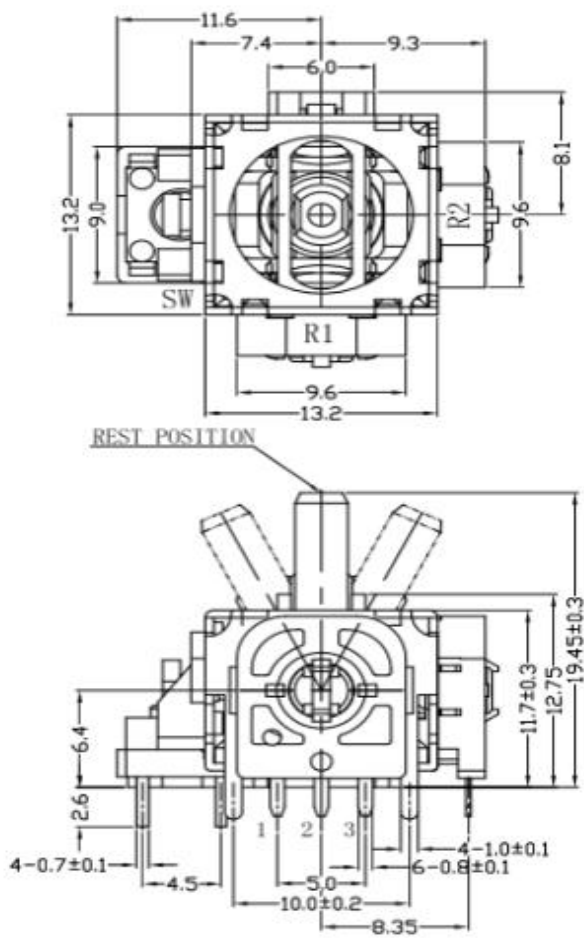
Durability (耐久性)

| | |
|----------------------|------------------|
| 旋转寿命 Rotational Life | 800000Cycles Min |
|----------------------|------------------|

Tact Switch specification (轻触开关规格)

| | |
|------------------------|-------------------|
| 1.额定功率 Ratings | DC12V 0.15W |
| 2.操作力度 Operating Force | 820±260gf |
| 3.行程 Travel | 0.35±0.2mm |
| 4.操作寿命 Operating Life | 200,000Cycles Min |

| | | | | | |
|-------------------------------|--------|---------|-----------|-------------------|--------------------|
| NINGBO KLS ELECTRONIC CO.,LTD | | | | LOT.NO 样板编号 | |
| | | | | MODER. 型号 | L-KLS4-3DPS4-ZQ005 |
| DWN 拟制 | DHK 审核 | APPO 批准 | DATE 日期 | DESCRIPI ON 描述 | 摇杆电位器 |
| 陈伟金 | | 陆卫东 | 2021.6.22 | | |



注意: 1. 基板板厚=1.2
 RECOMMENDATORY THICKNESS OF P. W. B. IS 1.2mm
 2. VR端子厚 t=0.3mm
 POT. TERMINAL THICKNESS
 SW 端子板厚 t=0.3mm
 SWITCH TERMINAL THICKNESS
 外壳厚度 t=0.5mm
 FPAME THICKNESS

P. C. B MOUNTING HOLE DETAIL