



光之宝

lightBO

深圳光之宝科技有限公司

Shenzhen Guangzhibao Technology Co.,Ltd.

SPECIFICATION FOR APPROVAL

DESCRIPTION : 1.0" 1-Digit Common Anode Red 7 Segment LED Display

PART NUMBER : LB11003BR1B-H10

CUSTOMER : _____

拟制 (PREPARED BY) : LI PEIWEI

审核 (CHECKED BY) : WEN WU

批准 (APPROVED BY) : LIU ZHIYONG

日期 (DATE): 2020.04.02

客户承认 (APPROVED BY CUSTOMER):

签名 (SIGNED): _____ 职务 (TITLE): _____ 日期 (DATE): _____

Address: 2/F, Building 6, Lihe Industrial Park, No. 1055, Songbai Road,
Xili Street, Nanshan District, Shenzhen, Guangdong 518055 China

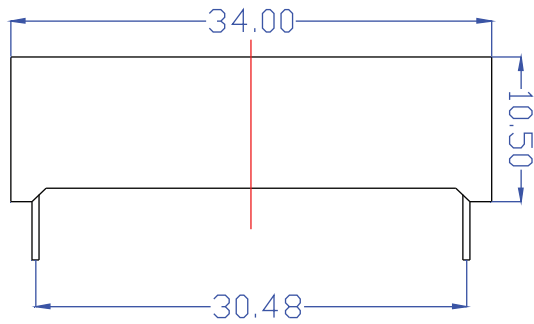
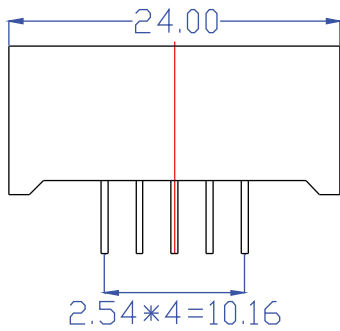
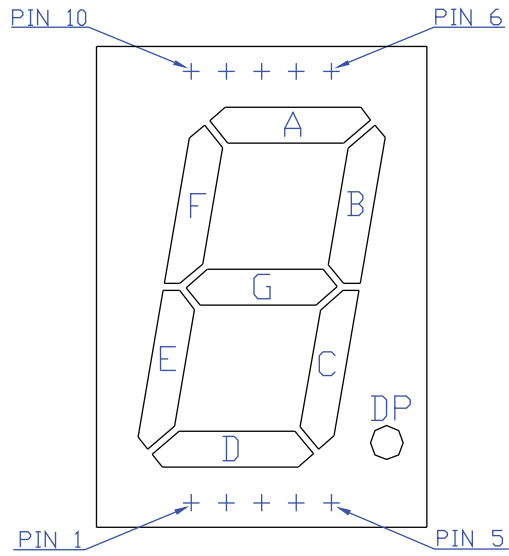
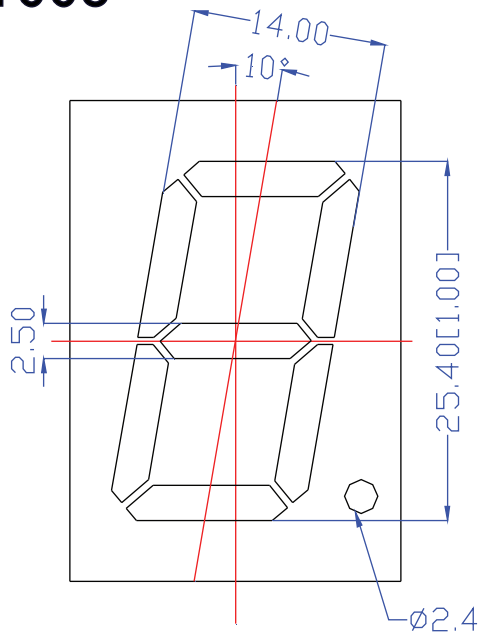
Tel: (86 755)8398 3496

Fax: (86 755)8398 3484

Web: www.lightbo.cn

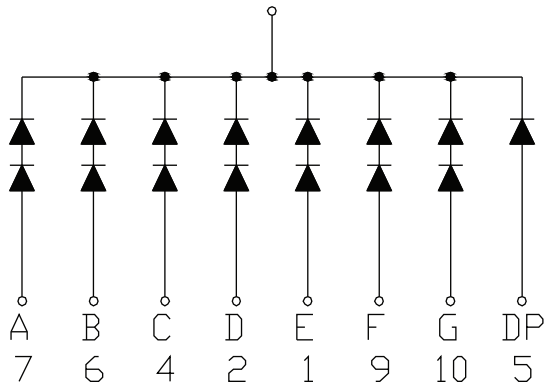
E-mail: lightbo@lightbo.cn

LB11003



CODE E

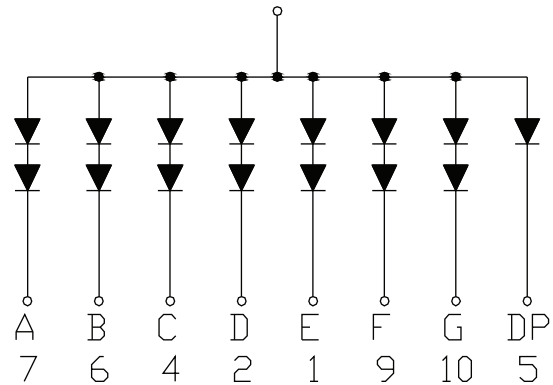
3,8



Common Cathode

CODE B

3,8



Common Anode



深圳光之宝科技有限公司

Shenzhen Guangzhibao Technology Co.,Ltd.

LB11003BR1B-H10 1-Digit 7-Segment LED Display

一 Features

01. Package dimension: 24 x 34 x 10.5 mm
02. Digit height: 25.4mm (1.0 inch)
03. Polarity: Common Anode
04. Emitting colour: super bright red
05. Made with white segments black surface
06. High luminous intensity
07. Low current operation
08. Stable performance
09. Continuous uniform segments
10. Easy mounting on PCB
11. IC compatible
12. RoHS compliant

二 . Absolute Maximum Ratings ($T_a = 25\text{ }^\circ\text{C}$)

Parameter	Symbol	Ratings	Unit
Forward Current (per seg)	I_{PM}	20	mA
Reverse Voltage (per seg)	V_R	5	V
Power Dissipation (per seg)	P_M	50	mW
Operating Temperature Range	T_{opr}	-40~+85	$^\circ\text{C}$
Storage Temperature Range	T_{STg}	-40~+85	$^\circ\text{C}$
Solder Temperature (≤ 3 sec)	T_h	260	$^\circ\text{C}$

Code: R-Super Bright Red (AlGaInP)

Parameter	Symbol	Condition	Min.	Typ.	Max.	Unit
Forward Voltage (Per dice)	V _f	I _f =20mA	1.8		2.5	V
Reverse Voltage (Per dice)	V _r	I _r =10uA		5		V
Luminous Intensity (Per dice)	I _v	I _f =20mA	50		60	mcd
Spectrum Width Of Half Value	Δλ	I _f =20mA		22		nm
Wavelength	Dλ	I _f =20mA	620		625	nm
Peak Forward Current (Per dice) 1/10 Duty Cycle, 0.1ms Pulse	I _{fp}		70			mA
Operating Temperature Range	T _{opr}	- 35 °C to 85 °C				
Storage Temperature Range	T _{stg}	- 35 °C to 85 °C				

Solder Temperature 1.5mm below seating plane for 3 Seconds at 260 °C

Absolute Maximum Rating at Ta=25°C

Fig.1

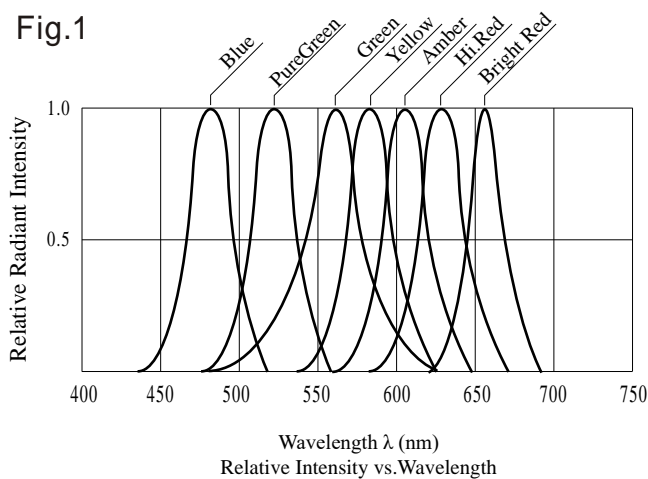


Fig.2

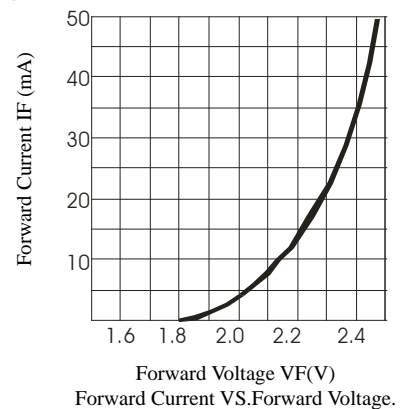


Fig.3

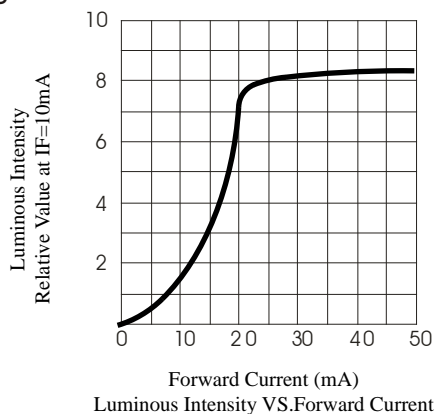
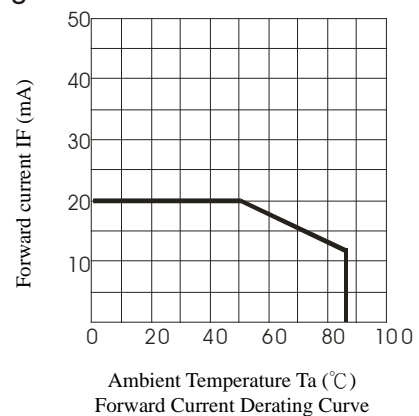


Fig.4



LED working lifetime 100,000 hrs
Absolute Maximum Rating at Ta=25°C