

RV16C-40-1 POTENTIOMETER

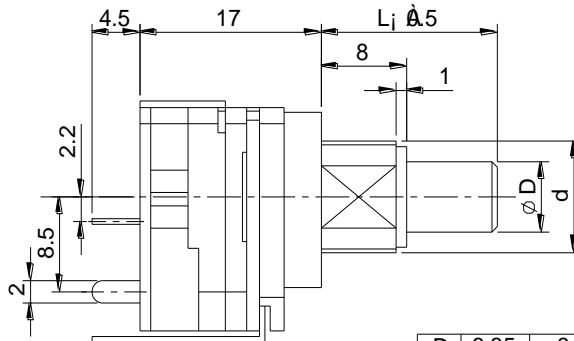
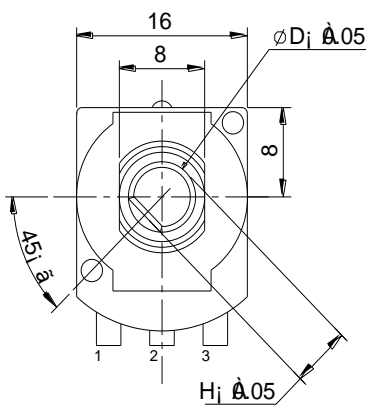
rotational type with 10A
Heavy duty switch



FEATURES

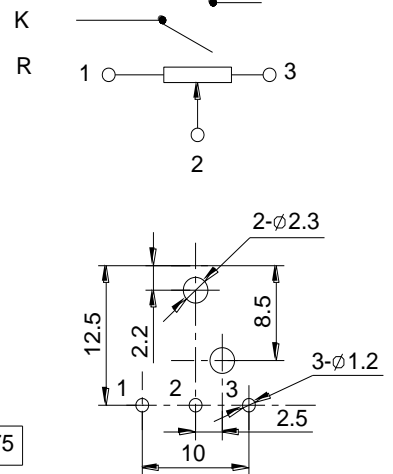
- VDE,NEMKO ,CB CERTIFICATE
- Conforms to 1058-1/EN61058-1 (VDE0630) standard
- High reliability, long life, big switch capacity type
- Form A (SPST-NO) Contact
- Glass fiber-filled flame-retardant polymer
- Special silver alloy contact
- Solder terminal
- Used for lighting fixture, dimmer, etc

OUTLINE DRAWING AND MOUNTING HOLE DETAIL



D	6.35	6
H	5.5	5
L	16.5	17

d	M10X1	M10X0.75
---	-------	----------



SPECIFICATION

1-Carbon plate

Resistance range	1K Ω ~2M Ω
Rated power (50°C)	B:0.2W; A, C:0.05W
Maximum Resistance	$\pm 18\%$ (1M $\pm 30\%$)
Maximum working voltage	AC 250V
Taper	A,B,C

2-General

Insulation resistance	Min.100M Ω at DC500V
Dielectric strength	AC750V1minute (between open contacts) AC1500V 1minute (between carbon and contacts)
Total Rotational Angle	270° $\pm 5^\circ$
Rotational noise	≤ 47 mv
Residual resistance	$\leq 1\%$ R
Rotational Torque	2~20mN.m
Shaft stop strength	1Kgf.cm
Switch working angle	40° max
Switch working force/Torque	50~300 gf.cm
Temperature Range	-20°C ~70°C (at normal voltage)
Click position	0 detent
Welding tin temperature	235°C $\pm 5^\circ$ C: ≤ 3 s

3-Contact

configuration	1 form A (SPST-NO)
Material	Special silver alloy
Type	Single type
Resistance (initial)	Max.50m Ω (at DC6V 1A)

4-Switch contact ratings (Resistive)

Switnch rating	AC250V 10A or DC24V
Max. Switching Power	2,500W
Max. Switching Voltage	AC 250V,DC150V
Max. Switching Current	10A
Max. Carrying Current	15A
Min. Switching Load	DC5V, 100mA

5-Durability

Mechanical life	50,000 operations (10~17 times/minute)
Electrical life	30,000 operations (10~17 times/minute)

6-Withstand vibration property

Misoperation	10 to 55 Hz Double amplitude of 3.3mm
Endurance	10 to 55 Hz Double amplitude of 3.3mm

7-Shock Resistance

Misoperation	100m/ s ² (11 ± 1 ms)
Endurance	500m/ s ² (6 ± 1 ms)

SAFETY STANDARD AND FILE NUMBERS

- VDE File no: **40008536**
- NEMKO File no: **P03200765**