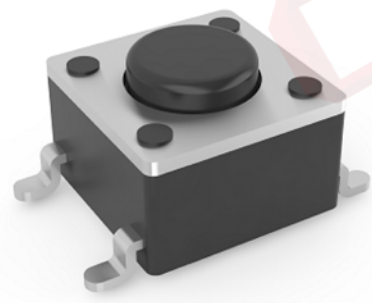
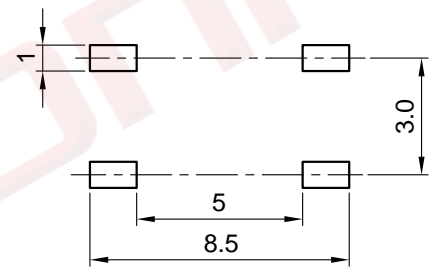
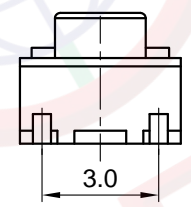
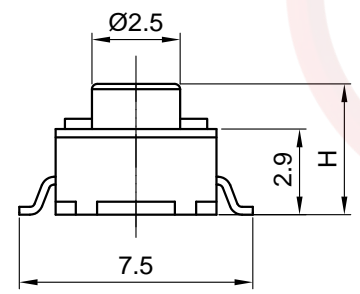
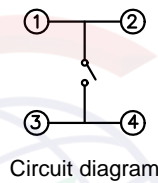
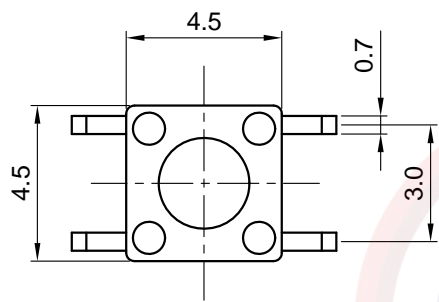


Dept	Qty
DC	1
ED	1
IE	1
ISO	1
PD	1
R&D	1
SD	1
QA	1
QC	1
QE	1

The information provided herein is from CONNELY Electronic Co., Ltd. and is confidential. Any disclosure to a party other than the recipient is prohibited. The intellectual properties and its rights contained herein, including but not limited to, trademarks, patents, copyrights, trade secrets, and technical know-how, are owned exclusively by CONNELY or its affiliates. Unauthorized use or reproduction of any part of this document is strictly prohibited. CONNELY may enforce its intellectual property rights at its own discretion, failures or delays to exercise such rights does not constitute a waiver of such rights.



(Series Image-Reference Only)

REV.	DESCRIPTION	DRAWN	CHECKED	APPROVED
A	NEW RELEASE	JLZ 07/21/20'		

NOTES:

- Specifications
 - Switch Function: Single Pole Single Throw
 - Contact Rating: 50mA at 12Vdc
 - Insulation Resistance:100MΩ min.
 - Contact Resistance:100mΩ max.
 - Operating Life:100,000 cycles
 - Travel:0.20±0.1mm
 - Operation Temperature Range: -25°C to +70°C
 - Wave Soldering: Recommended Solder Temperature At 500°f(260°C)max. 5 Seconds,Subject To PCB 1.6mm Thickness.

2. Product number code:

DS1042-32 - X X X X X X

- Operating Life
 - 05:50,000 cycles
 - 10:100,000 cycles
- Operating force
 - 160: 160±50gf
 - 260: 260±50gf
- Packing type
 - A: polybag
 - R: tape & reel
- Actuator color
 - B: Black N:Brown
- Housing color
 - B: Black N:Brown
- Profile Height(DIM. H)
 - 038:3.8mm
 - 090:9.0mm
- No. of contacts
 - 4: 4P

GENERAL TOLERANCE		ANGLE TOLERANCE		PROJECTION		TITLE	
X.	±0.60	X.	±5°	UNITS	mm	Tact Switch SMT Type 4.5mmX4.5mm	
.X	±0.38	.X	±3°	SHEET SIZE	A4	SERIES	DS1042-32 SERIES
.XX	±0.25	.XX	±2°	晨翔电子有限公司 CONNELY CONNELY ELECTRONIC CO. LTD			
DRAWING TYPE		CUSTOMER					
SCALE	1:1	SHEET	1 OF 1				
DRAWING NO.		C-DS1042-32-XXXXXX-A					