

SPECIFICATIONS

Current Rating: 0.5A
 Contact Resistance: 65mΩ Max.
 Insulator Resistance: 1000MΩ Min.
 Dielectric Voltage: 250V AC for one minute
 Operating Temperature: -40°C to +105°C

MATERIAL

Housing: Hi-Temp. Thermoplastic, UL94V-0, Black △
 Contacts Pin: Phosphor Bronze

ORDER INFORMATION

5 B B 0 8 3 C X X M - X X X X U R - 0 1



△F

No. of Contacts	Dimension(mm)				
	A	B	C	D	E
20	15.30	8.60	7.20	12.20	12.80
30	19.30	12.60	11.20	16.20	16.80
40	23.30	16.60	15.20	20.20	20.80
50	27.30	20.60	19.20	24.20	24.80
60	31.30	24.60	23.20	28.20	28.80
80	39.30	32.60	31.20	36.20	36.80
100(A1)	47.30	40.60	39.20	44.20	44.80
120(A2)	55.30	48.60	47.20	52.20	52.80
160(A7)	71.30	64.60	63.20	68.20	68.80

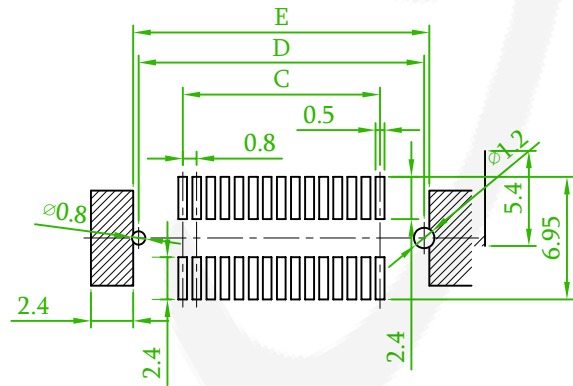
△B

△D

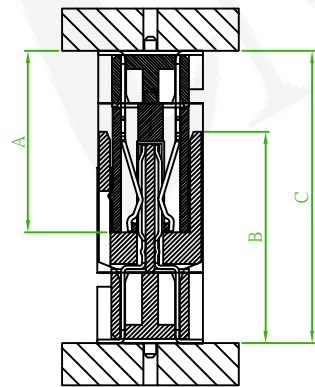
Dimension(mm)		
Female P/N	Male P/N	Mated Height
5BB083C74F-XXXXUR-01	5BB083C80M-XXXXUR-01	10.00
	5BB083C7AM-XXXXUR-01	13.00
	5BB083C8AM-XXXXUR-01	14.00
	5BB083C9AM-XXXXUR-01	15.00
5BB083C1AF-XXXXUR-01	5BB083C7AM-XXXXUR-01	16.00
	5BB083C8AM-XXXXUR-01	17.00
	5BB083C9AM-XXXXUR-01	18.00
5BB083C2AF-XXXXUR-01	5BB083C9AM-XXXXUR-01	19.00
5BB083C3AF-XXXXUR-01	5BB083C9AM-XXXXUR-01	20.00
5BB083C5AF-XXXXUR-01	5BB083C1BM-XXXXUR-01	22.00

Dimension(mm)		
H	G	H1
8.00	64.00	-
11.00	9.00	3.00
12.00	10.00	4.00
13.00	11.00	5.00
14.00	12.00	6.00

AMTEK 糧德
 2020.09.16
 Released DCC

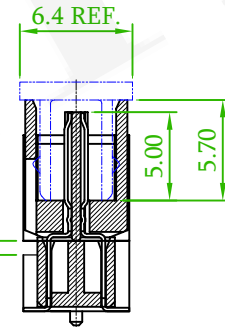


Recommended PCB Layout
 (PCB TOLERANCE ±0.1)



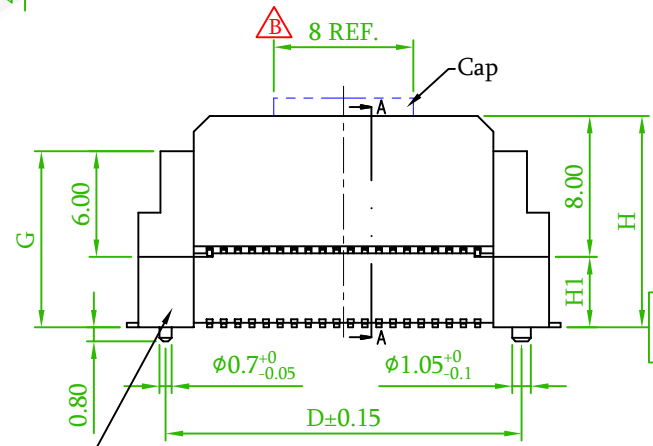
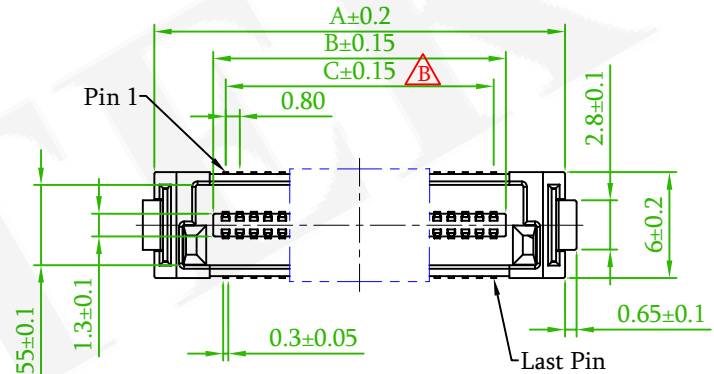
Mated Drawing (REF.)

△C



Section A-A

W/O Lower Half When H=8mm



<80Pin	0.10
≥80Pin	0.15

Old Part No. : 53BTBD03M-xxxxxxBUN-C1

TEL: 886-2-2260-6878
 FAX: 886-2-2260-8030

品名 TITLE	0.8 mm BOARD TO BOARD MALE V/T SMT TYPE			頁數 Page	1/1
品號 PART NO.	5BB083CXXM-XXXXUR-01			繪圖 DRAWN	Roy 2016/02/16
圖號 DRAWING NO.	GN003-GA918	版本 REV.	F	核對 CHECKED	Josh 2018/08/16
客戶品號 CUSTOMER P/N		比例 SCALE	None	承認 APPROVED	Jason 2018/08/16
公差 TOLERANCE	.X ± 0.40	單位 UNIT	mm	THIRD ANGLE PROJECTION	
	.XX ± 0.25				

△ F x1	ECN 200816.: Revise the Dimension	David	2020/08/26
△ E x1	ECN-200110.: Add the Housing Color	Benson	2020/03/07
△ D x1	Revise the table: Dim. D,60,80,100,120,160Pin	Gary	2018/08/16
REV.	ECN NO. OR DESCRIPTION	REVISED	DATE