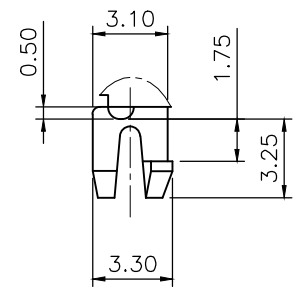
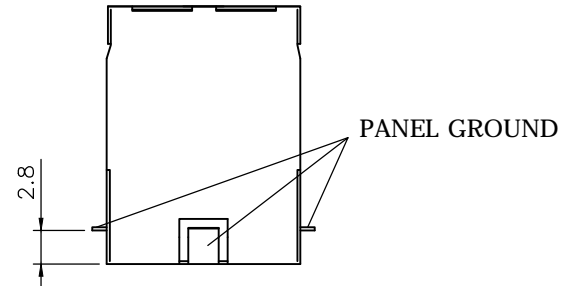
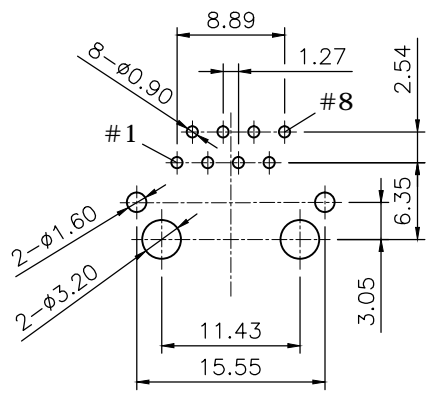
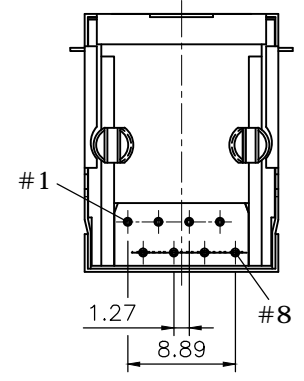
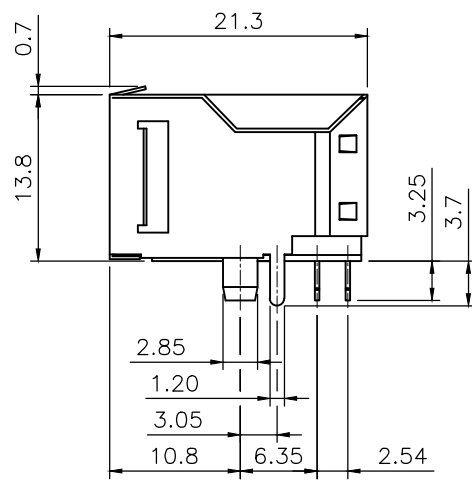
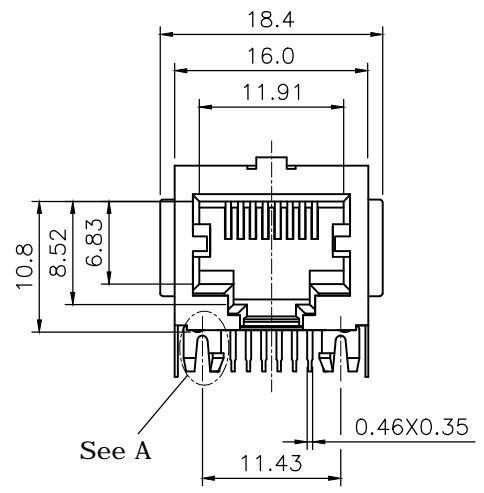


REV.	DESCRIPTION	DRAWN	DATE
1	INITIAL RELEASE	TIM	2019/10/14



DETAIL A  
SCALE 2:1



RECOMMENDED LAYOUT ( TOP VIEW )  
GENERAL TOLERANCE: ±0.05mm

**SPECIFICATION:**

1. ELECTRICAL
  - 1.1 Current Rating: 1.5A per pin
  - 1.2 Voltage Rating: 150V AC/DC
  - 1.3 Contact Resistance: 30mΩ
  - 1.4 Insulation Resistance: 500MΩ
  - 1.5 Dielectric Withstanding Voltage: 1000VAC
2. MECHANICAL
  - 2.1 Durability: 750 Cycle
3. ENVIRONMENTAL
  - 3.1 Operating temperature range: -40 °C~+85°C
  - 3.2 Storage temperature range: -40 °C~+85°C

CAVITY CONFIRMS TO FCC RULES AND REGULATIONS PART 68, SUBPART F.

5	SHELL	Brass, 20u" min. nickel plating
		Phosphor Bronze, 6u" gold on contact area, gold
4	CONTACT	flash on solder tails, 50u" min. nickel under plating
3	CAP	PBT, UL94V-0, Black
2	INSERT	PBT, UL94V-0, Black
1	HOUSING	PBT, UL94V-0, Black
NO.	PART NAME	DESCRIPTION

UNLESS OTHERWISE SPECIFIED TOLERANCE

UNIT:	DECIMAL	LINEAR	ANGLES
mm	X.	±0.50	±5°
	X.X	±0.25	±3°
	X.XX	±0.12	±1°



www.attend.com.tw

DRAWN	Tim	2019/09/25	DRAWN NAME:
CHECKED	Fros	2019/09/25	RJ45 Jack, 1x1 Port, Side Entry down latch w/Shielded top & side EMI tab, 6u", Tray
APPROVED	Ken	2019/09/25	PRODUCT NO. 210A-11C03
SCALE	1.6/1	SHEET	1/1
SIZE	A4	FILE NAME	210A-11C03_B_1