

MICRO SWITCH
a Honeywell Division

FED. MFG. CODE 91929

SEAL - RING

CATALOG LISTING

15PA258

PRODUCT CODE

SG-V0348

THIS DRAWING COVERS A PROPRIETARY ITEM AND IS THE PROPERTY OF MICRO SWITCH, A DIVISION OF HONEYWELL. THIS DRAWING IS NOT TO BE COPIED OR USED WITHOUT THE APPROVAL OF MICRO SWITCH.

CATALOG LISTING
15PA258

PAGE 1 OF 1

REPLACES
PR-17574

ISSUE
5

REVISIONS

A	203836
G J W	AUG 81

CHECK

CHECK

CHECK

CHECK

CHECK

SAV

DRAWN

G J W

PTC/CAD 20

REPLACES

PR-17574

PAGE

OF

CHECK

CHECK

31AUG01

CHECK

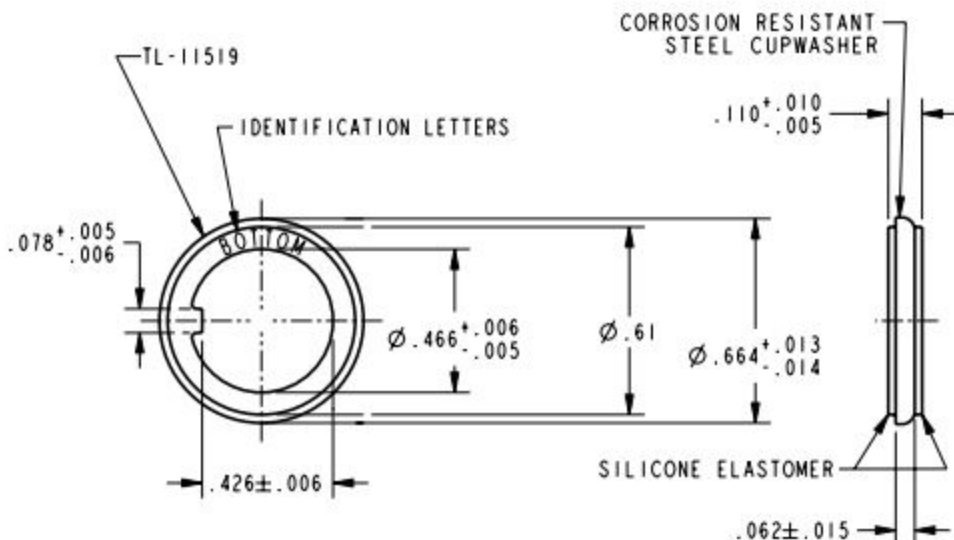
31AUG01

CHECK

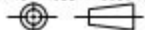
31AUG01

G J W

ANSI Y14.5M-1982 APPLIES



THIRD ANGLE PROJECTION



SCALE 2 : 1

DO NOT SCALE PRINT

UNLESS OTHERWISE SPECIFIED TOLERANCES ARE

ONE PLACE (.0) $\pm .030$

TWO PLACE (.00) $\pm .015$

THREE PLACE (.000) $\pm .005$

ANGLES \pm

WEIGHT