

MICRO SWITCH

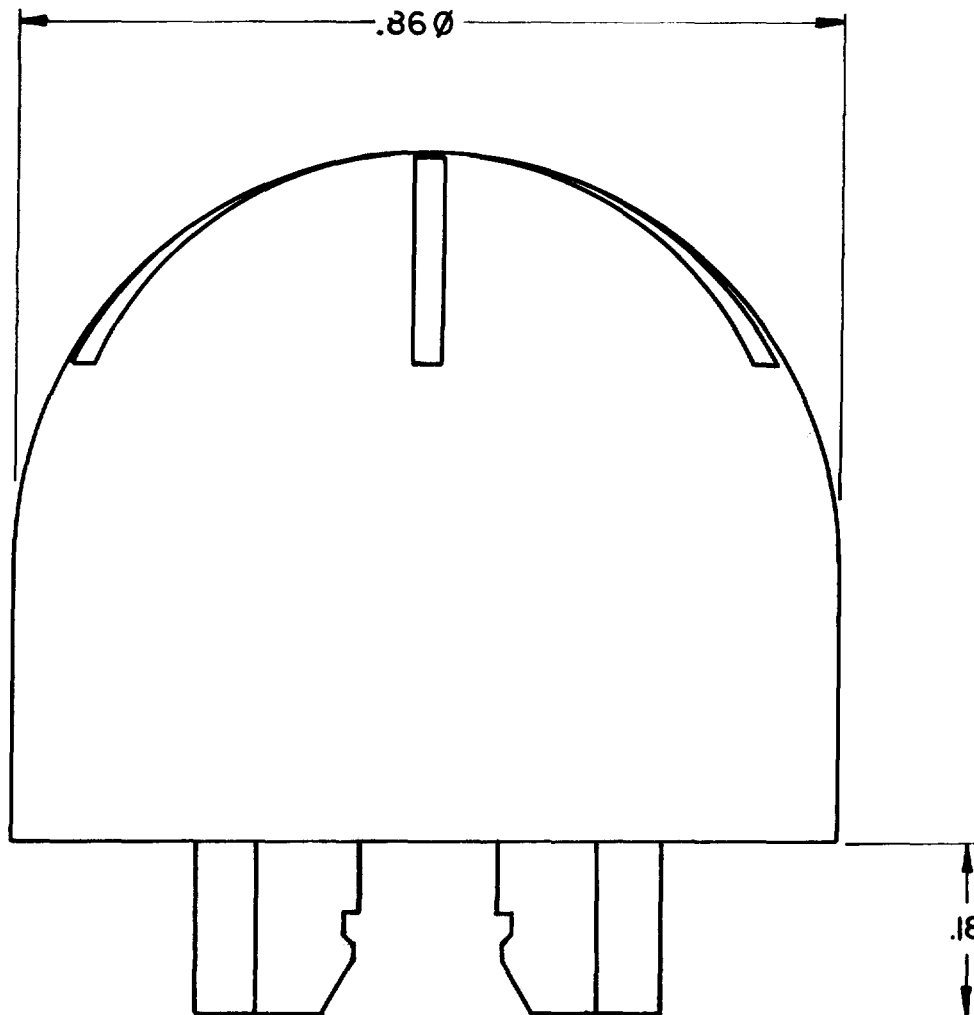
FREEPORT, ILLINOIS, U S A
A DIVISION OF HONEYWELL INC.

FED. MFG. CODE 91929

PACKET

CATALOG LISTING
8PA78 - TL

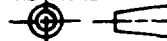
THIS DRAWING COVERS A PROPRIETARY ITEM AND IS THE PROPERTY OF MICRO SWITCH. A DIVISION OF HONEYWELL. THIS DRAWING IS NOT TO BE COPIED OR USED WITHOUT THE APPROVAL OF MICRO SWITCH.



NOTES

- 1 - PARTS FURNISHED ASSEMBLED
- 2 - THIS PACKET TO BE USED FOR REPLACEMENT PURPOSES ON 3TL32-3D, 3TL32-12A, 3TL32-1-3D AND 3TL32-2-3D

THIRD ANGLE PROJECTION



SCALE 5 : 1

DO NOT SCALE PRINT

UNLESS OTHERWISE SPECIFIED TOLERANCES ARE

ONE PLACE	(.0)	$\pm .030$
TWO PLACE	(.00)	$\pm .015$
THREE PLACE	(.000)	$\pm .005$
ANGLES		\pm

8PA78-TL

M

DRAWING NUMBER

ISSUE

3

REVISIONS

A	PR 6550
5	LJF JUL 88
B	200172
	GJW 30 MAR 00

FORMTEK

10-82880-C01

DRAWN

REPLACES

PAGE 1 OF 1

RELEASE NO.

CHECK

16 FEB 87

WAP

CHECK

16 FEB 87

CHECK

16 FEB 87

CHECK

16 FEB 87

CHECK

16 FEB 87

CHECK

16 FEB 87