

MICRO SWITCH

A DIVISION OF ANNAPOLIS-HONEYWELL REGULATOR COMPANY
 WASHINGTON, MARYLAND

FED. MFR. CODE 91929

ACTUATOR-SWITCH

SKETCH 16061
 ISSUE 1

M JE-6

DRAWING NUMBER

ISSUE

RELEASE NO. SR 7022

9 Oct. '57

9 Oct. '57

9 Oct. '57

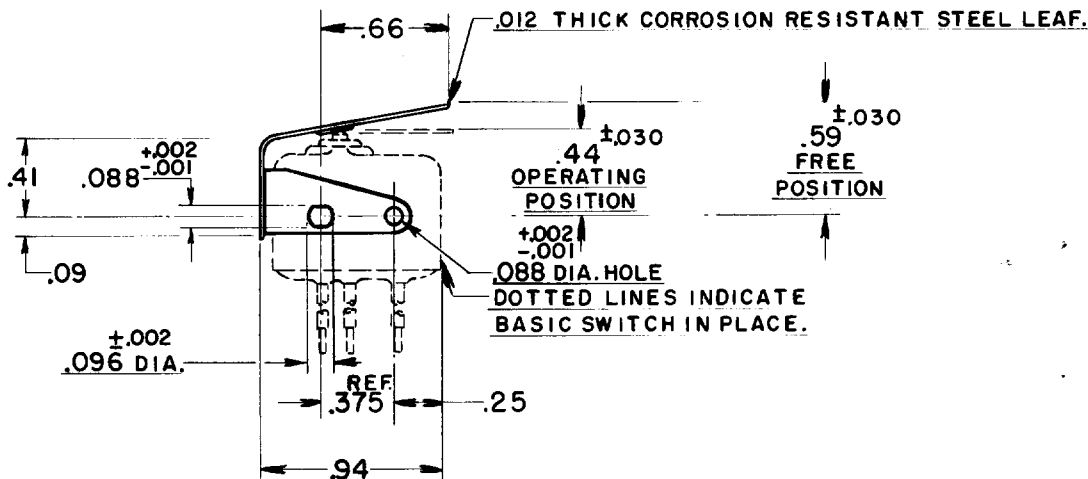
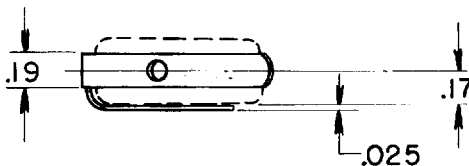
9 Oct. '57

10 Oct. '57

10 Oct. '57

7 Oct. '57

7 Oct. '57



THIS DRAWING COVERS A PROPRIETARY ITEM AND IS THE PROPERTY OF MICRO SWITCH, A DIVISION OF HONEYWELL. THIS DRAWING IS NOT TO BE COPIED OR USED WITHOUT THE APPROVAL OF MICRO SWITCH.

CHARACTERISTICS WITH ISEI BASIC SWITCH INSTALLED

OPERATING FORCE ----- 12 OZ. MAX.
 RELEASE FORCE ----- 2 OZ. MIN.
 DIFFERENTIAL TRAVEL ----- .025 MAX.
 OVERTRAVEL ----- .015 MIN.

ELECTRICAL DATA

CONTACT ARRANGEMENT BREAK DISTANCE

SCALE FULL

DO NOT SCALE PRINT

UNLESS OTHERWISE SPECIFIED DIMENSIONS ARE IN INCHES
TOLERANCES ARE:
 ONE PLACE (.0) ±.030
 TWO PLACE (.00) ±.015
 THREE PLACE (.000) ±.005
 ANGLES ±

WEIGHT