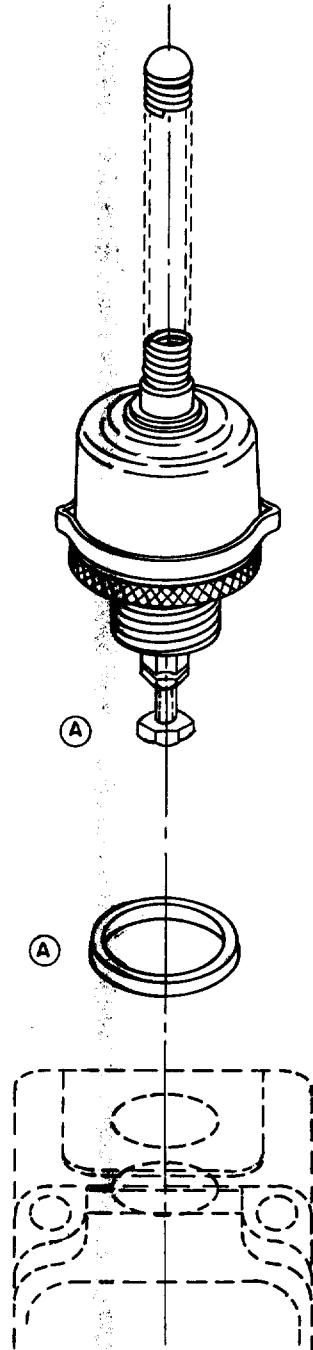


DRAWING NUMBER		9PA42	
ISSUE		2	
REVISIONS		A CO16769	
		M B F	
		19 OCT 62	
CHECK		ACG 4 JAN 60	
CHECK		GCH 5 JAN 60	
CHECK		DAW 4, JAN '60	
DRAWN		FO-50378	
RELEASE NO.		SR 8720	
REPLACES			



THIS DRAWING COVERS A PROPRIETARY ITEM AND IS THE PROPERTY OF MICRO SWITCH, A DIVISION OF MINNEAPOLIS-HONEYWELL REGULATOR CO. THIS DRAWING IS NOT TO BE COPIED OR USED WITHOUT THE APPROVAL OF MICRO SWITCH.

CHARACTERISTICS	ELECTRICAL DATA		SCALE
	CONTACT ARRANGEMENT	BREAK DISTANCE	DO NOT SCALE PRINT
			UNLESS OTHERWISE SPECIFIED DIMENSIONS ARE IN INCHES
			TOLERANCES ARE:
			ONE PLACE (.0) ±.030
			TWO PLACE (.00) ±.015
			THREE PLACE (.000) ±.005
			ANGLES ±
			WEIGHT