

**MICRO SWITCH**  
a Honeywell Division

FED. MFG. CODE 91929

**PACKET**

CATALOG LISTING  
**19PA169-NT**

CATALOG LISTING  
**19PA169-NT**

PAGE 1 OF 1

RELEASE NO. PR-21731

REPLACES

CHECK

CHECK

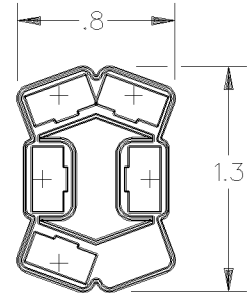
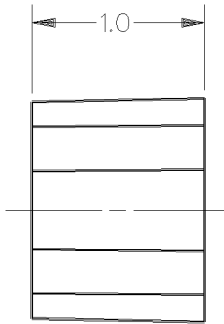
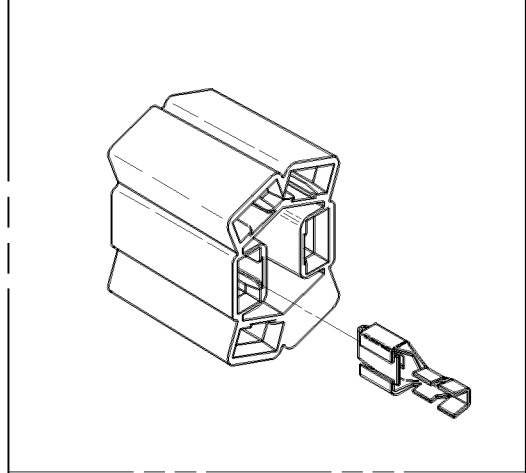
CHECK

CHECK

REVISIONS

DDM/CAD  
DRAWN

T S M 21 JUL 95



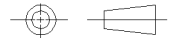
NOTE:

1 - PACKET INCLUDES 1 PIECE PACKARD ELECTRIC #0891 1352,  
AND 5 PIECES PACKARD ELECTRIC #02962572

ANSI Y14.5M-1982 APPLIES

THIS DRAWING COVERS A PROPRIETARY ITEM AND IS THE PROPERTY OF MICRO SWITCH, A DIVISION OF HONEYWELL. THIS DRAWING IS NOT TO BE COPIED OR USED WITHOUT THE APPROVAL OF MICRO SWITCH.

THIRD ANGLE PROJECTION



CHARACTERISTICS	ELECTRICAL DATA CONTACT ARRANGEMENT	SCALE FULL	DO NOT SCALE PRINT
		<b>UNLESS OTHERWISE SPECIFIED TOLERANCES ARE</b>	
		ONE PLACE (.0)	±.030
		TWO PLACE (.00)	±.015
		THREE PLACE (.000)	±.005
		ANGLES	±
		WEIGHT	