

**MICRO SWITCH**  
A DIVISION OF MINNEAPOLIS-HONEYWELL REGULATOR COMPANY  
PROSPERITY, ILLINOIS  
FED. MFR. CODE 91929

**ACTUATOR-SWITCH**

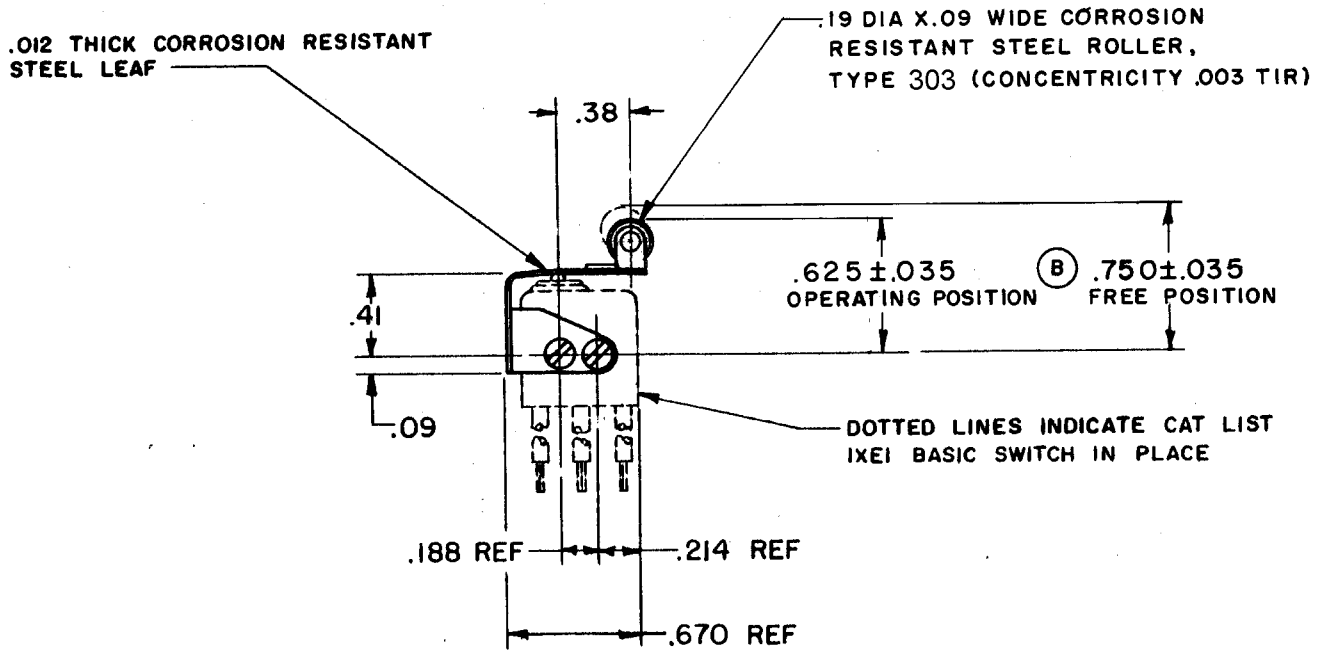
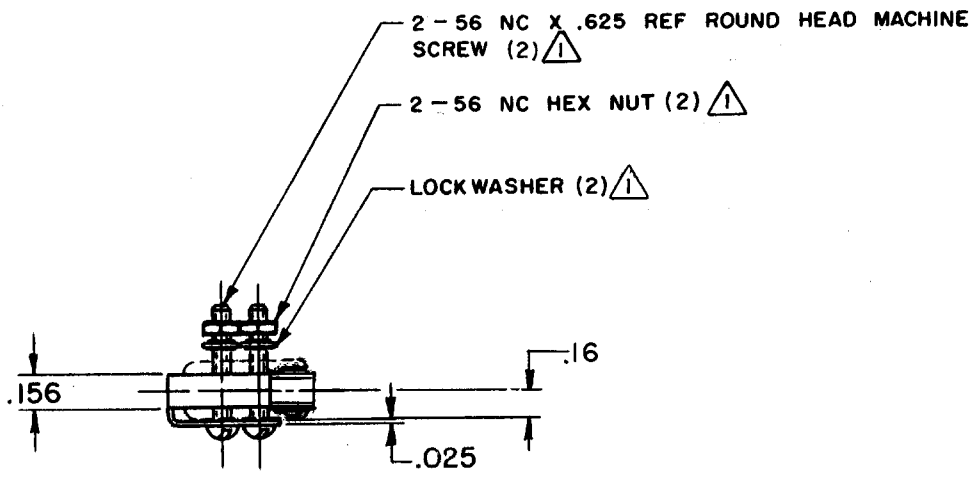
(M) SKETCH 29120  
ISSUE 1

JM-5  
M  
DRAWING NUMBER  
7  
ISSUE

REVISIONS

A	0017844	OHW	26 FEB 63
B	0018559	VDF	17 OCT 63
C	0047771	CJH	17 MAY 80
D	0074078	LJF	25 NOV 92
E	0079303	DLT	6 MAR 95
F	0015428	SPK	14 SEP 05

REPLACES ISSUE 1  
RELEASE NO. SR 9307  
28 SEP 60  
CHECK BLS  
RJP  
CHECK  
7 NOV 60  
CHECK  
GCH  
CHECK  
27 SEP 60  
DRAWN  
MBF



NOTE -  
△ - FURNISHED UNASSEMBLED

CHECK	RJ	14SEP05
-------	----	---------

THIS DRAWING COVERS A PROPRIETARY ITEM AND IS THE PROPERTY OF MICRO SWITCH, A DIVISION OF MINNEAPOLIS-HONEYWELL REGULATOR CO. THIS DRAWING IS NOT TO BE COPIED OR USED WITHOUT THE APPROVAL OF MICRO SWITCH.

CHARACTERISTICS WITH IXE1 BASIC SWITCH INSTALLED
OPERATING FORCE ----- 21 OZ MAX
RELEASE FORCE ----- (A) --- 3 OZ MIN
DIFFERENTIAL TRAVEL ----- .012 MAX
OVERTRAVEL ----- .009 MIN

ELECTRICAL DATA	
CONTACT ARRANGEMENT	BREAK DISTANCE

SCALE	FULL
DO NOT SCALE PRINT	
UNLESS OTHERWISE SPECIFIED DIMENSIONS ARE IN INCHES	
<b>TOLERANCES ARE:</b>	
ONE PLACE (.0)	±.030
TWO PLACE (.00)	±.015
THREE PLACE (.000)	±.008
ANGLES	±
WEIGHT	