

# MICRO SWITCH

A DIVISION OF MINNEAPOLIS-HONEYWELL REGULATOR COMPANY  
 FREEPORT, ILLINOIS

FED. MFR. CODE 91929

## ACTUATOR - SWITCH

CATALOG LISTING

JM - 1

JM - 1

M

DRAWING NUMBER

7

ISSUE

3

REVISIONS

A	CO15157	M B F	27 SEP 60
B	CO17844	OMW	26 FEB 63
C	CO18559	VDF	17 OCT 63
D	CO47771	CJH	17 MAY 80
E	CO74078	LJF	25 NOV 92
F	CO79303	DLT	6 MAR 95

REPLACES

SR 8953

28 APR 60

PAW

4 MAY 60

BLS

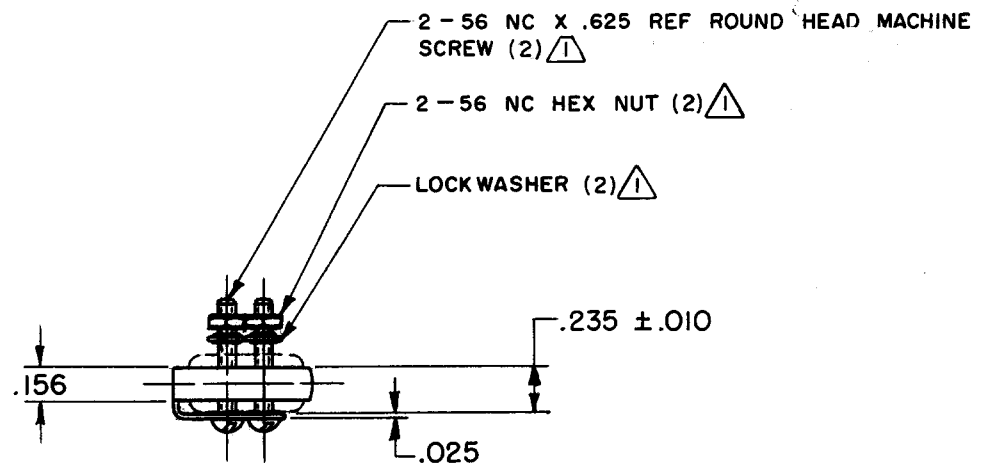
17 MAY 80

10 MAY 60

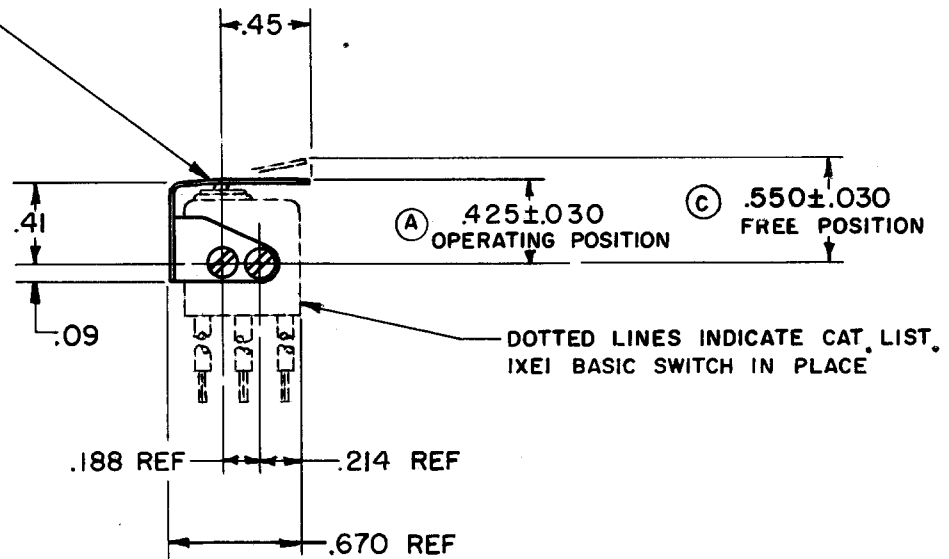
28 APRIL 60

6CH

28 APRIL 60



.012 THICK CORROSION RESISTANT STEEL LEAF



NOTE -  
 $\Delta$  - FURNISHED UNASSEMBLED

THIS DRAWING COVERS A PROPRIETARY ITEM AND IS THE PROPERTY OF MICRO SWITCH, A DIVISION OF MINNEAPOLIS-HONEYWELL REGULATOR CO. THIS DRAWING IS NOT TO BE COPIED OR USED WITHOUT THE APPROVAL OF MICRO SWITCH.

CHARACTERISTICS WITH IXE1 BASIC SWITCH INSTALLED

OPERATING FORCE	-----	21 OZ MAX
RELEASE FORCE	----- (B) -----	3 OZ MIN
DIFFERENTIAL TRAVEL	-----	.012 MAX
OVERTRAVEL	-----	.009 MIN

ELECTRICAL DATA

CONTACT ARRANGEMENT	BREAK DISTANCE
---------------------	----------------

SCALE FULL

DO NOT SCALE PRINT

UNLESS OTHERWISE SPECIFIED  
 DIMENSIONS ARE IN INCHES  
**TOLERANCES ARE:**  
 ONE PLACE (.0)  $\pm$  .030  
 TWO PLACE (.00)  $\pm$  .015  
 THREE PLACE (.000)  $\pm$  .005  
 ANGLES  $\pm$

WEIGHT

(A)