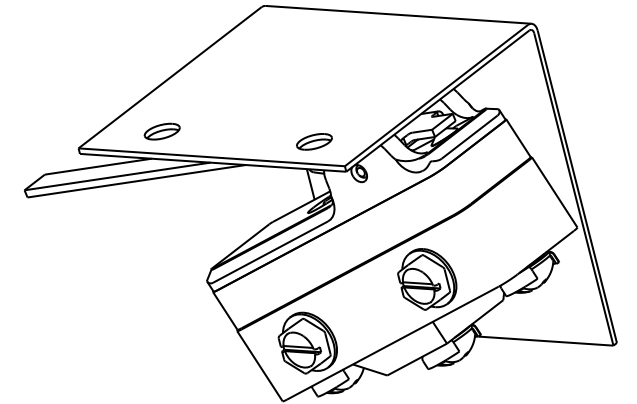
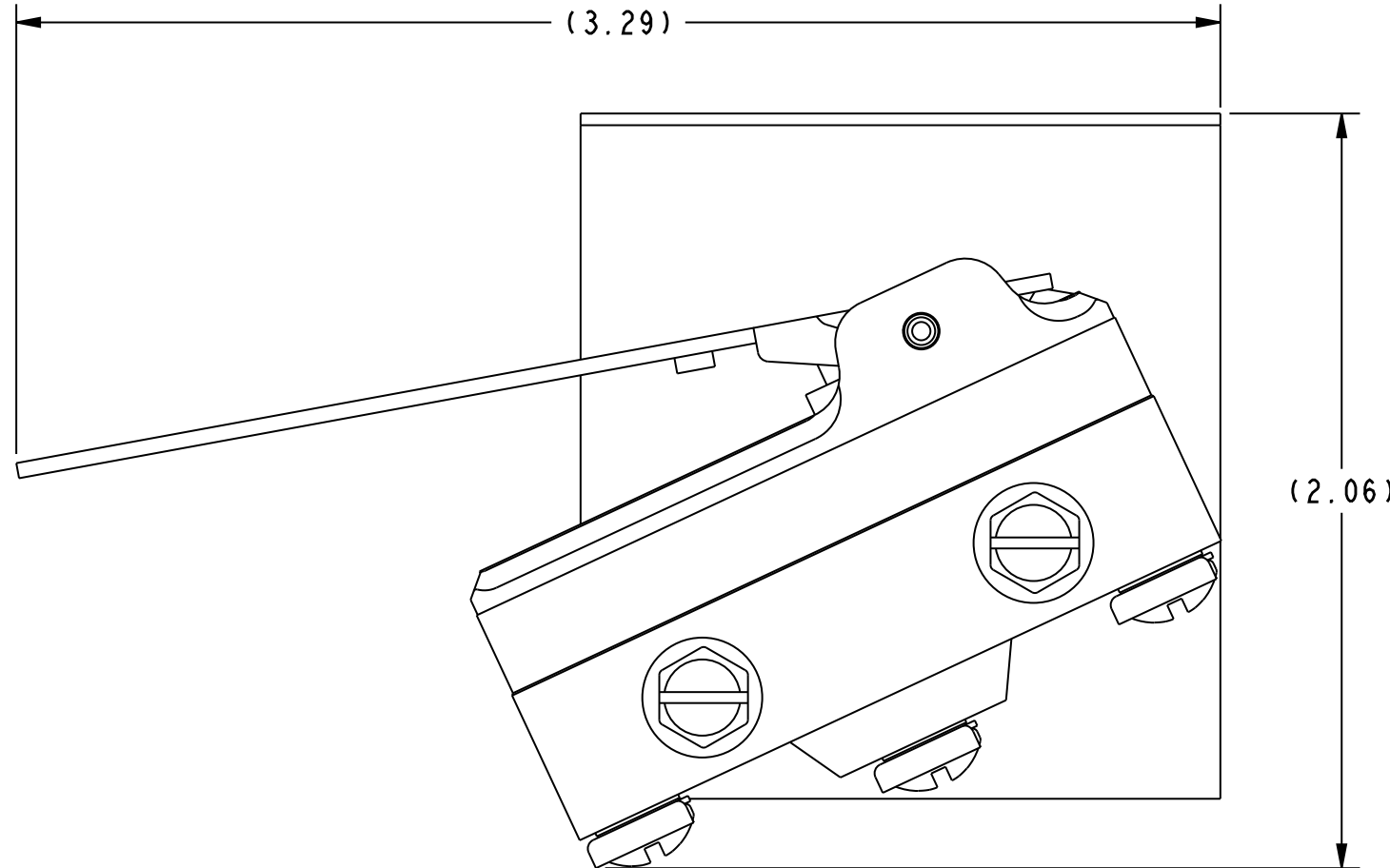
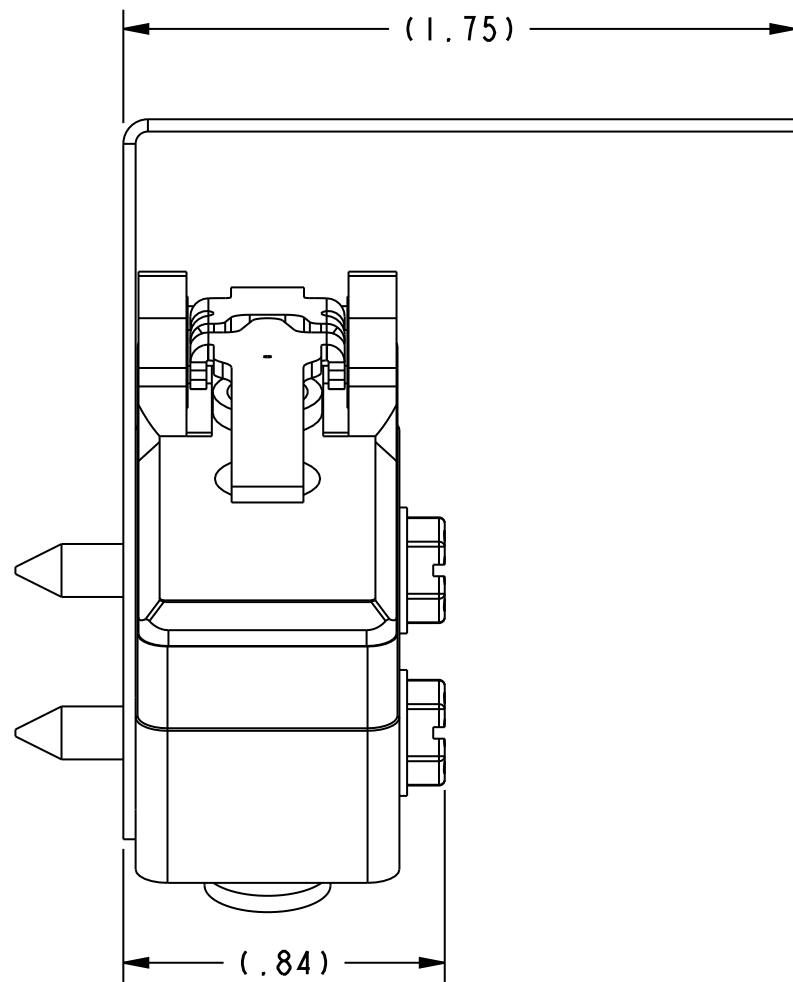


HONEYWELL PART NUMBER
15AS17-BA
KTH0092

REV	DOCUMENT	CHANGED BY	CHECK
A	0055638	SJK 21AUG09	CMH



ISOMETRIC VIEW
SCALE 1:1

A

NOTES:

1 - SWITCH CATALOG LISTING: BA-2RV241-A2

SEE INSTALLATION DRAWING FOR APPLICABLE DIMENSIONS,
CHARACTERISTICS AND RATINGS.

DESIGN UNITS: INCH		
TOLERANCES UNLESS NOTED:		
NO PLACES	x	±
ONE PLACE	.x	±
TWO PLACE	.xx	±
THREE PLACE	.xxx	±
ANGLES	x	±
THIRD ANGLE PROJECTION		

DRAWN	MBH	13AUG09
CHECK	MA	13AUG09
THIS DRAWING COVERS A PROPRIETARY ITEM AND IS THE PROPERTY OF HONEYWELL. THIS DRAWING IS NOT TO BE COPIED OR USED WITHOUT THE PERMISSION OF HONEYWELL.		
INTERPRET PER ASME Y14.5M-1994 OTHER HONEYWELL ENGINEERING STANDARDS MAY APPLY		
Pro/ENGINEER		3D

Honeywell				
TITLE SWITCH, BRACKET ASSEMBLY				
SIZE	TYPE	CAGE CODE	DRAWING NAME	REV
B	I	-	15AS17-BA	A
SCALE	2:1		SHEET	1 OF 1