

C2.4

# MICRO SWITCH

A DIVISION OF HONEYWELL-HONEYWELL REGULATORS COMPANY  
SPRINGFIELD, MASSACHUSETTS

FED. MFR. CODE 91929

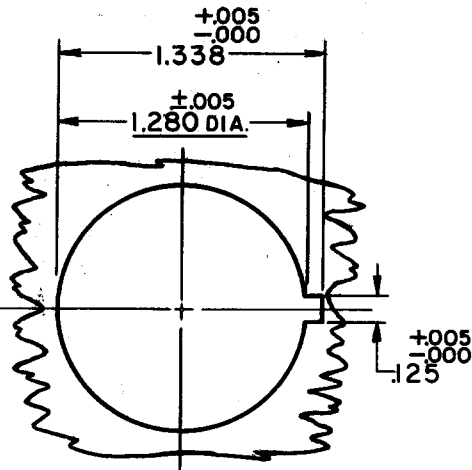
# ACTUATOR-SWITCH

## "12MA" SERIES

### CHART 2

5

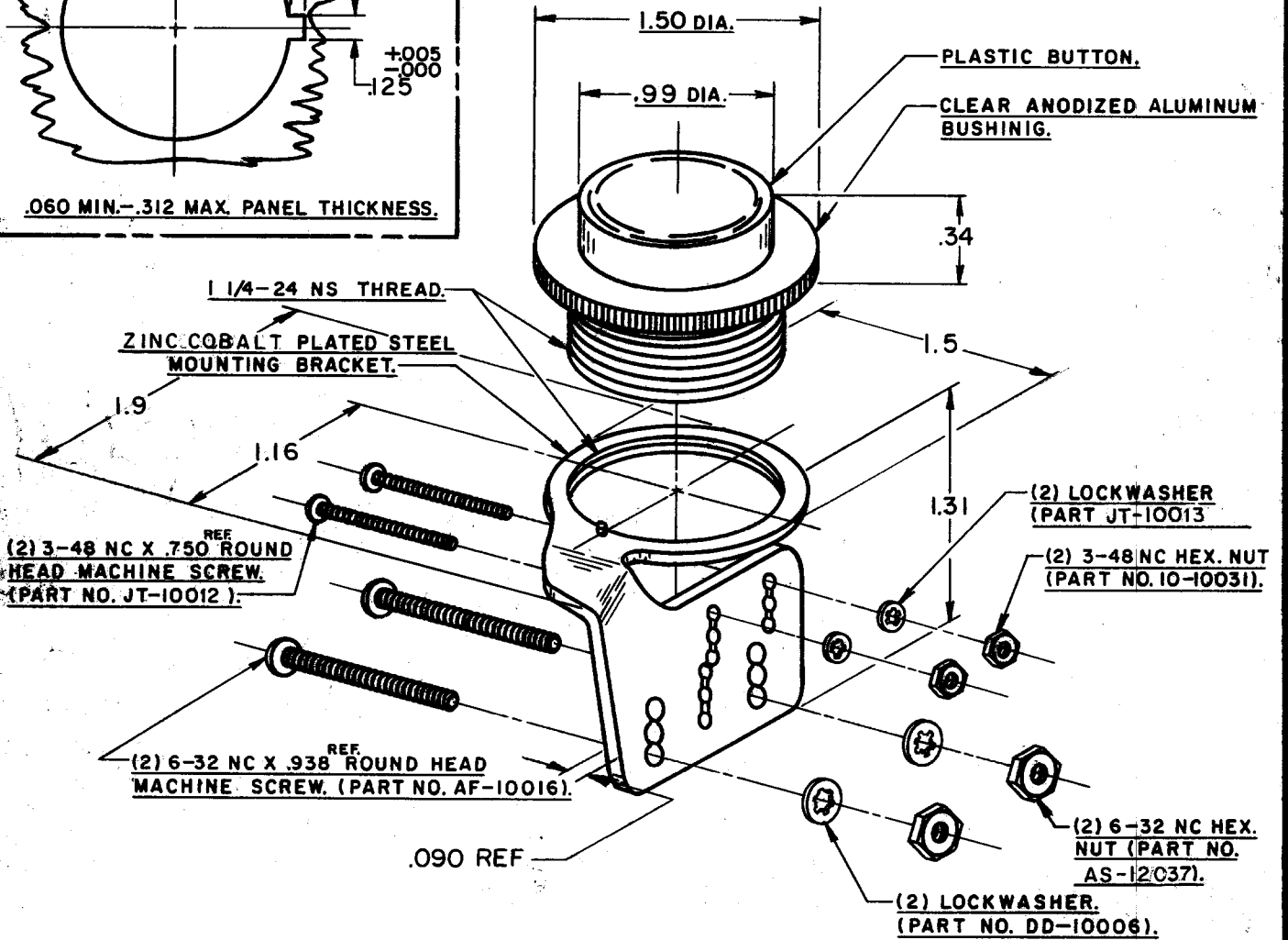
#### MTG. PANEL HOLE DETAIL



.060 MIN. - .312 MAX. PANEL THICKNESS.

PLASTIC BUTTON COLOR	ACTUATOR-SWITCH CAT. LIST.
BLACK	12MA5
RED	12MA6
GREEN	12MA7

THIS DRAWING COVERS A PROPRIETARY ITEM AND IS THE PROPERTY OF MICRO SWITCH, A DIVISION OF HONEYWELL. THIS DRAWING IS NOT TO BE COPIED OR USED WITHOUT THE APPROVAL OF MICRO SWITCH.



#### NOTE-

- 1-NOT SUITABLE FOR USE WITH ITBI-3 TYPE BASIC.
- 2-TWO COMPLETE SETS OF SCREWS, NUTS AND WASHERS FURNISHED UNASSEMBLED (CUSTOMER WILL SELECT PROPER SET).
- 3-THE VARIOUS PANEL THICKNESSES MAY BE ACCOMMODATED WITH THIS ACTUATOR BY PROPER SELECTION OF BASIC SWITCH MOUNTING HOLES.

CHARACTERISTICS	ELECTRICAL DATA	SCALE - FULL
	CONTACT ARRANGEMENT	DO NOT SCALE PRINT
		UNLESS OTHERWISE SPECIFIED DIMENSIONS ARE IN INCHES
		<b>TOLERANCES ARE:</b>
		ONE PLACE (.0) ±.030
		TWO PLACE (.00) ±.015
		THREE PLACE (.000) ±.008
		ANGLES ±
		<b>WEIGHT</b>

M "12MA" SERIES CHART 2  
 DRAWING NUMBER  
 ISSUE 1 2 3 4 5 6 7 8  
 DATE 1 2 3 4 5 6 7 8 9 10 11 12  
 CHECKED  
 DATE  
 APPROVED  
 DATE  
 G-CH 2 JUNE 58  
 K.A.F. 22 MAY 58  
 PO-90378  
 DRAWN  
 RELEASE NO. SR 7525  
 REPLACES