

**MICRO SWITCH**

A DIVISION OF MINNEAPOLIS-HONEYWELL REGULATOR COMPANY  
PROBOPORT, ILLINOIS

FED. MFR. CODE 91929

# ACTUATOR - SWITCH

CATALOG LISTING

## JX - 48

JX - 48

M

DRAWING NUMBER

X

X

ISSUE

5

8

REPLACES

SR 10519

RELEASE NO.

CHECK

DES 17 FEB 61

CHECK

DES 17 FEB 61

CHECK

CHECK

CHECK

CHECK

CHECK

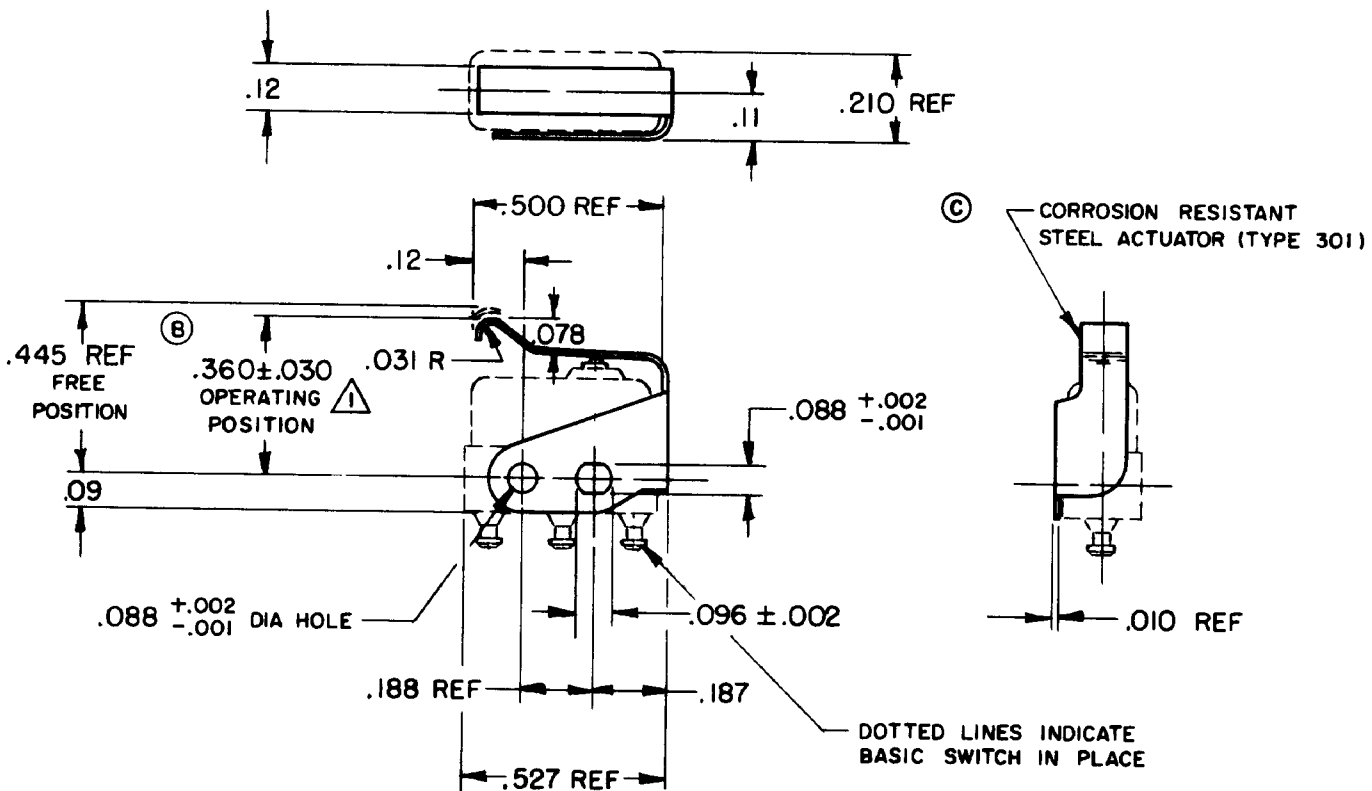
CHECK

CHECK

CHECK

CHECK

CHECK



NOTE -  
 (A) SLIGHT ROTATION BETWEEN BASIC AND ACTUATOR MAY BE NECESSARY TO OBTAIN OPERATING POSITION, BASED ON USING NO. 2-56 MACHINE SCREWS

THIS DRAWING COVERS A PROPRIETARY ITEM AND IS THE PROPERTY OF MICRO SWITCH, A DIVISION OF MINNEAPOLIS-HONEYWELL REGULATOR CO. THIS DRAWING IS NOT TO BE COPIED OR USED WITHOUT THE APPROVAL OF MICRO SWITCH.

### CHARACTERISTICS WITH ISX1-T BASIC SWITCH INSTALLED

OPERATING FORCE	-----	10 OZ MAX
RELEASE FORCE	-----	2 OZ MIN
DIFFERENTIAL TRAVEL	-----	.025 MAX
OVERTRAVEL	-----	.015 MIN

### ELECTRICAL DATA

CONTACT ARRANGEMENT	BREAK DISTANCE
---------------------	----------------

SCALE 2 TO 1

DO NOT SCALE PRINT

UNLESS OTHERWISE SPECIFIED

DIMENSIONS ARE IN INCHES

TOLERANCES ARE:

ONE PLACE	(.0)	±.030
TWO PLACE	(.00)	±.015
THREE PLACE	(.000)	±.008
ANGLES		±

WEIGHT

FO-50378

DRAWN

K L B

FEB 61

FEB 61

FEB 61

FEB 61

FEB 61

FEB 61

FEB 61

FEB 61

FEB 61

FEB 61

FEB 61

FEB 61

FEB 61

FEB 61

FEB 61

FEB 61

FEB 61

FEB 61

FEB 61

FEB 61

FEB 61