

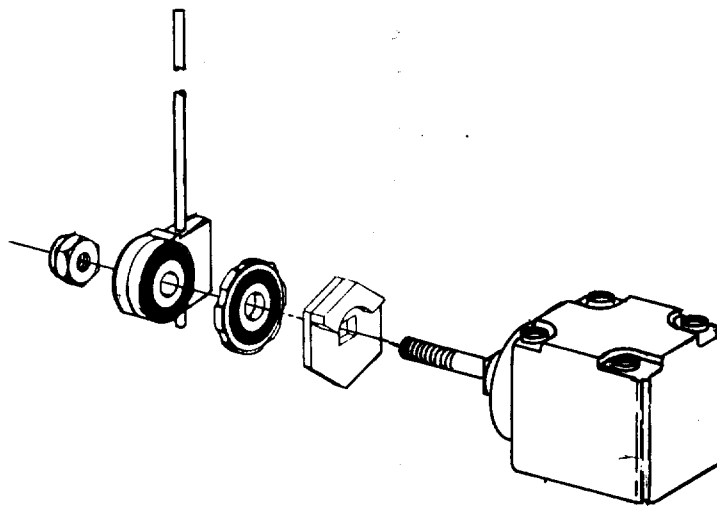
MICRO SWITCH

FREEPORT, ILLINOIS, U.S.A.
A DIVISION OF HONEYWELL
FED. MFG. CODE 91929

PACKET

CATALOG LISTING
9PA25

THIS DRAWING COVERS A PROPRIETARY ITEM AND IS THE PROPERTY OF MICRO SWITCH. A DIVISION OF HONEYWELL. THIS DRAWING IS NOT TO BE COPIED OR USED WITHOUT THE APPROVAL OF MICRO SWITCH.



ADJUSTABLE TO OPERATE CLOCKWISE, COUNTER-CLOCKWISE, OR IN BOTH DIRECTIONS.

AS FACTORY ASSEMBLED THE SWITCH MAY BE ACTUATED BY CLOCKWISE MOVEMENT OF THE LEVER ARM ONLY

TO CONVERT SWITCH FOR ACTUATION IN THE COUNTER-CLOCKWISE DIRECTION ONLY, REMOVE THE HEAD AND SLIDE THE CAM TOWARD THE REAR OF THE HEAD SUFFICIENTLY TO DISENGAGE FROM THE FLATS ON THE SHAFT. ROTATE THE CAM 180° AND RE-ENGAGE THE CAM WITH THE FLATS ON THE SHAFT.

NOTE: WHEN SWITCH IS ADJUSTED FOR OPERATION IN ONE DIRECTION ONLY, THE ARM MAY BE MOVED TO THE FULL OVERTRAVEL POSITION IN THE OPPOSITE DIRECTION WITHOUT DAMAGING THE MECHANISM OR OPERATING THE SWITCH.

9PA25		REPLACES
M	RELEASE NO. SR-10525	
DRAWING NUMBER		
4		
ISSUE		
	CHECK	
REVISIONS		
A	CO 32194-0	
	KAG	
	13 SEPT 83	
B	CO54993	
	CJH	
	26 APR 84	
	CHECK	
	6 OCT 83	
	CHECK	
	13 SEPT 83	
	CHECK	
	13 SEPT 83	
	CHECK	
FO-82850	DRAWN	
KAG	13 SEPT 83	