

MICRO SWITCH

FREEPORT ILLINOIS, U.S.A
 A DIVISION OF HONEYWELL INC.
 FED. MFG. CODE 91929

ACTUATOR - SWITCH

CATALOG LISTING

JM-10

JM-10

M

DRAWING NUMBER

X 2

ISSUE 3

REPLACES

RELEASE NO. PR-17797

CHECK

REVISIONS

A	CO69507
	DAW 21 FEB 91
B	CO79303
	DLT 6 MAR 95

CHECK

23 OCT 89

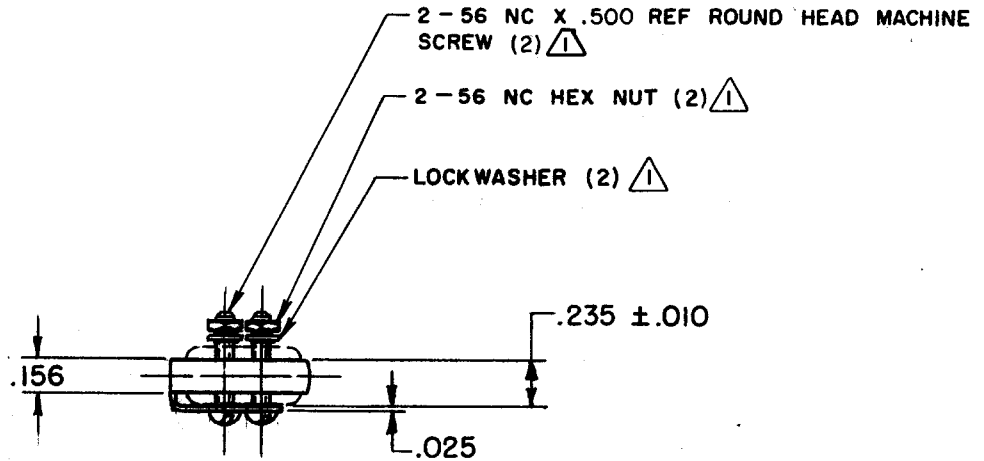
23 OCT 89

23 OCT 89

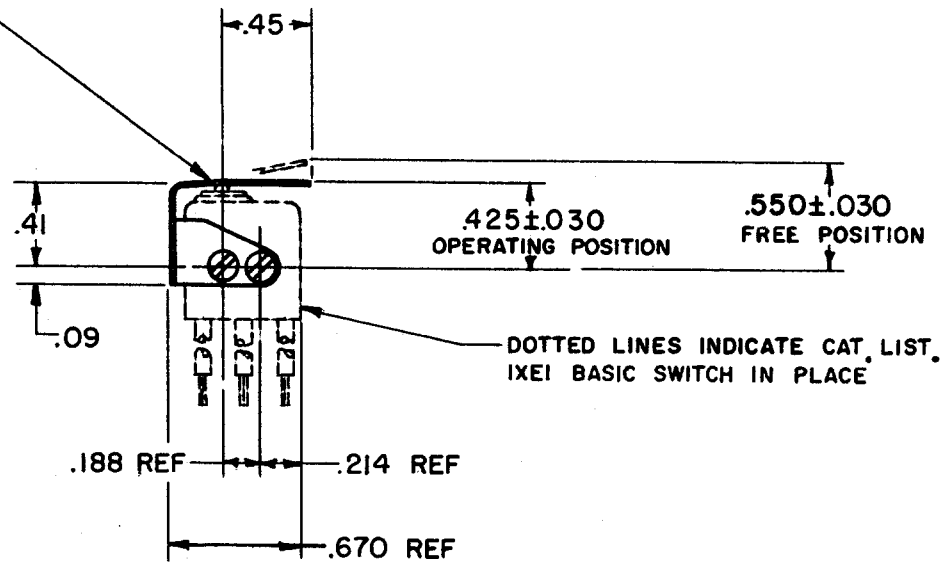
23 OCT 89

23 OCT 89

23 OCT 89



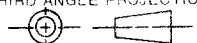
.012 THICK CORROSION RESISTANT STEEL LEAF



NOTE -
 FURNISHED UNASSEMBLED

THIS DRAWING COVERS A PROPRIETARY ITEM AND IS THE PROPERTY OF MICRO SWITCH, A DIVISION OF HONEYWELL. THIS DRAWING IS NOT TO BE COPIED OR USED WITHOUT THE APPROVAL OF MICRO SWITCH.

THIRD ANGLE PROJECTION



CHARACTERISTICS

OPERATING FORCE	----- 21 OZ MAX
RELEASE FORCE	----- 3 OZ MIN
DIFFERENTIAL TRAVEL	----- .012 MAX
OVERTRAVEL	----- .009 MIN

ELECTRICAL DATA

CONTACT ARRANGEMENT

SCALE FULL DO NOT SCALE PRINT

UNLESS OTHERWISE SPECIFIED TOLERANCES ARE

ONE PLACE	(.0)	± .030
TWO PLACE	(.00)	± .015
THREE PLACE	(.000)	± .005
ANGLES		±
RAW MATERIAL - COMMERCIAL STANDARD		

WEIGHT

FO-52848-B

DRAWN

T S M 23 OCT 89