

JX - 49

M

DRAWING NUMBER

8

X

4

3

ISSUE

REPLACES

RELEASE NO. SR 9726

CHECK

18 JULY 61

DES

19 APR 68

13 MAY 96

CHECK

18 JULY 61

DES

18 JULY 61

CHECK

18 JULY 61

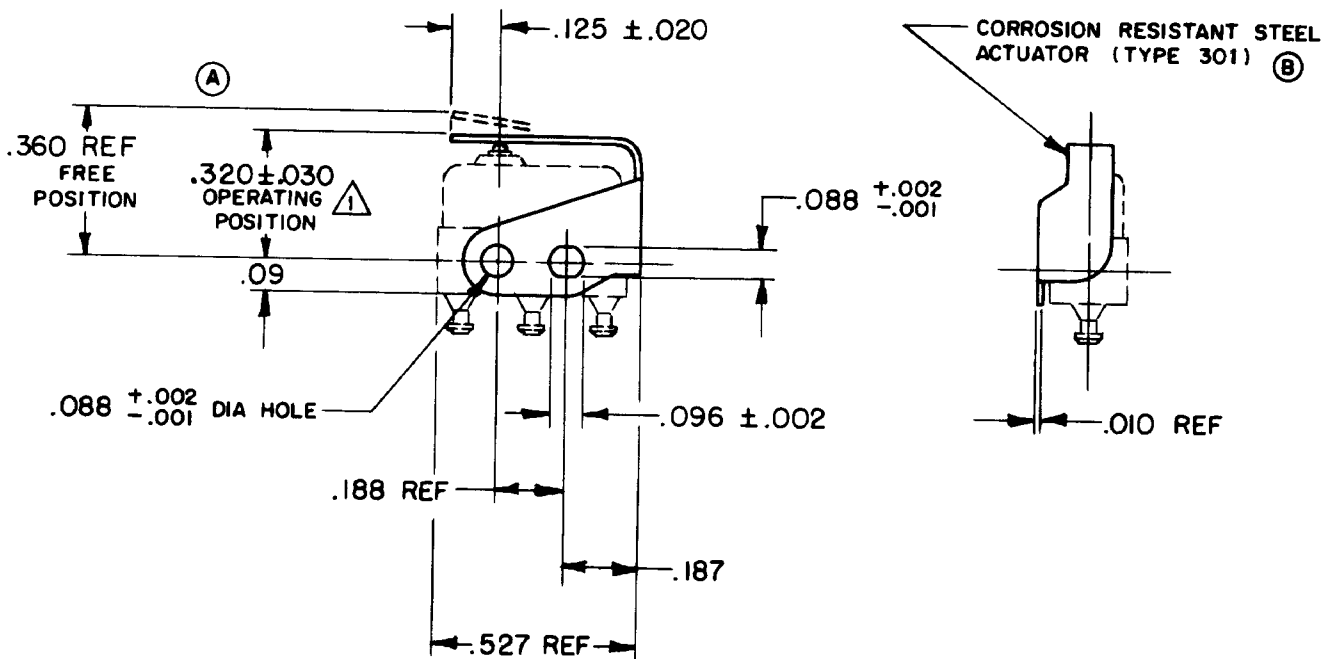
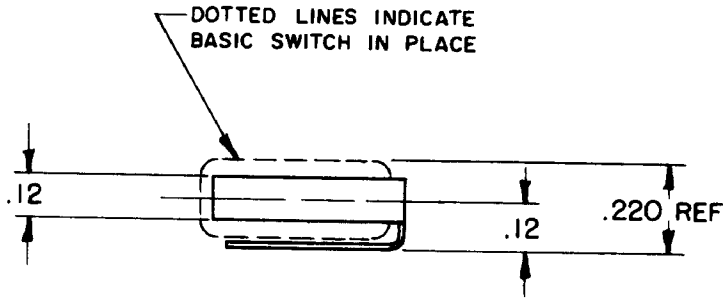
DES

18 JULY 61

CHECK

18 JULY 61

DES



NOTE-
 ⚠️ SLIGHT ROTATION BETWEEN BASIC AND ACTUATOR MAY BE NECESSARY TO OBTAIN OPERATING POSITION, BASED ON USING NO. 2-56 MACHINE SCREWS

THIS DRAWING COVERS A PROPRIETARY ITEM AND IS THE PROPERTY OF MICRO SWITCH, A DIVISION OF MINNEAPOLIS-HONEYWELL REGULATOR CO. THIS DRAWING IS NOT TO BE COPIED OR USED WITHOUT THE APPROVAL OF MICRO SWITCH.

CHARACTERISTICS WITH ISXI-T BASIC SWITCH INSTALLED

OPERATING FORCE	----- 7 OZ APPROX
RELEASE FORCE	----- 2 OZ APPROX
DIFFERENTIAL TRAVEL	----- .030 APPROX
OVERTRAVEL	----- .010 MIN

ELECTRICAL DATA

CONTACT ARRANGEMENT

BREAK DISTANCE

SCALE 2 TO 1

DO NOT SCALE PRINT

UNLESS OTHERWISE SPECIFIED

DIMENSIONS ARE IN INCHES

TOLERANCES ARE:

ONE PLACE	(.0)	±.030
TWO PLACE	(.00)	±.018
THREE PLACE	(.000)	±.008
ANGLES		±

WEIGHT