

MICRO SWITCH
 A DIVISION OF MINNEAPOLIS-HONEYWELL REGULATOR COMPANY
 FREEPORT, ILLINOIS
 FED. MFR. CODE 91929

ACTUATOR - SWITCH

JS-85

M

DRAWING NUMBER

X 8

ISSUE

3

REPLACES

RELEASE NO. SR-7819

CHECK

CHECK

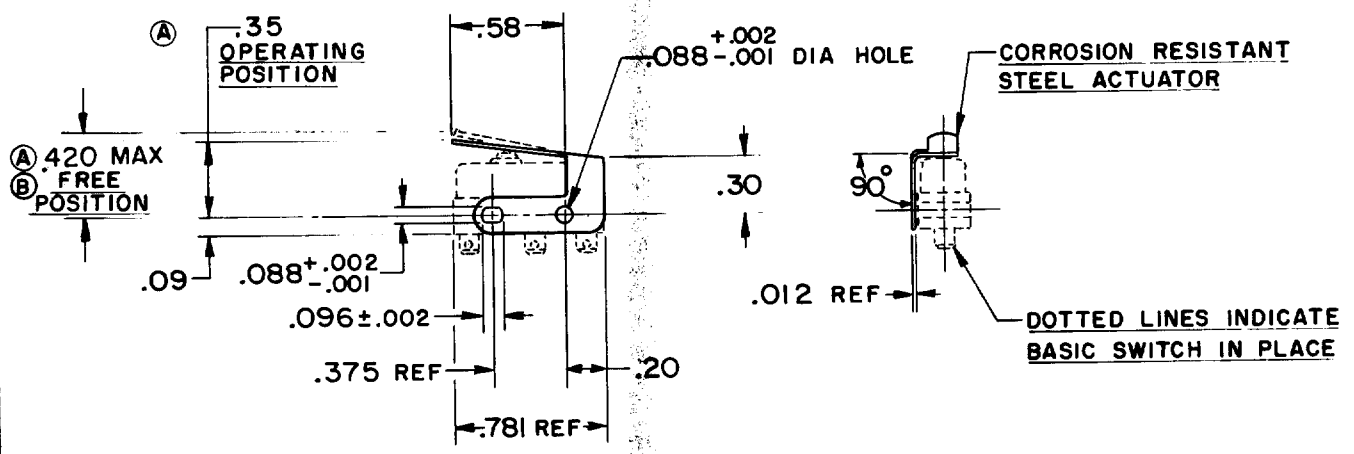
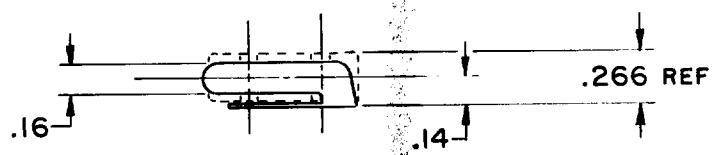
G. C. H. 30 SEPT 58

CHECK

Q. M. W. 30 SEPT 58

REVISIONS

A	CO12901	M B F	14 MAY 59
B	CO17304	M B F	6 JUNE 63



THIS DRAWING COVERS A PROPRIETARY ITEM AND IS THE PROPERTY OF MICRO SWITCH, A DIVISION OF MINNEAPOLIS-HONEYWELL REGULATOR CO. THIS DRAWING IS NOT TO BE COPIED OR USED WITHOUT THE APPROVAL OF MICRO SWITCH.

<p>CHARACTERISTICS WITH ISMI BASIC SWITCH INSTALLED</p> <p>OPERATING FORCE ----- 10 OZ MAX.</p> <p>RELEASE FORCE ----- (B) 2 OZ MIN.</p> <p>PRETRAVEL ----- .062 MAX.</p> <p>DIFFERENTIAL TRAVEL ----- .015 MAX</p> <p>OVERTRAVEL ----- .010 MIN.</p> <p>(A)</p>	<p>ELECTRICAL DATA</p> <p>CONTACT ARRANGEMENT</p> <p>BREAK DISTANCE</p>		<p>SCALE - FULL</p> <p>DO NOT SCALE PRINT</p>
	<p>UNLESS OTHERWISE SPECIFIED</p> <p>DIMENSIONS ARE IN INCHES</p> <p>TOLERANCES ARE:</p> <p>ONE PLACE (.0) ±.030</p> <p>TWO PLACE (.00) ±.015</p> <p>THREE PLACE (.000) ±.005</p> <p>ANGLES ± 2°</p>		<p>WEIGHT</p>