

MICRO SWITCH

A DIVISION OF MINNEAPOLIS-HONEYWELL REGULATOR COMPANY
 FREEPORT, ILLINOIS

ACTUATOR - SWITCH

CATALOG LISTING

JS - 3

FED. MFR. CODE 91929

(M) JS-3
 ISSUE 3

REPLACES

JS-3

M

DRAWING NUMBER

RELEASE NO.

ISSUE

7

CHECK

26 MAY 59

CHECK

26 MAY 59

CHECK

4 DEC 63

CHECK

17 MAY 80

CHECK

7 MAR 95

CHECK

27 MAY 59

CHECK

27 MAY 59

CHECK

27 MAY 59

CHECK

27 MAY 59

CHECK

27 MAY 59

CHECK

27 MAY 59

CHECK

27 MAY 59

CHECK

27 MAY 59

CHECK

27 MAY 59

CHECK

27 MAY 59

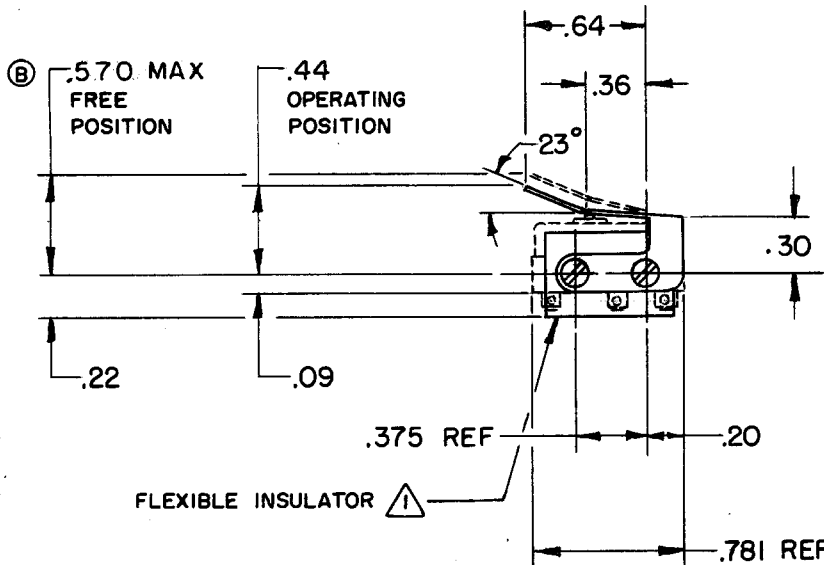
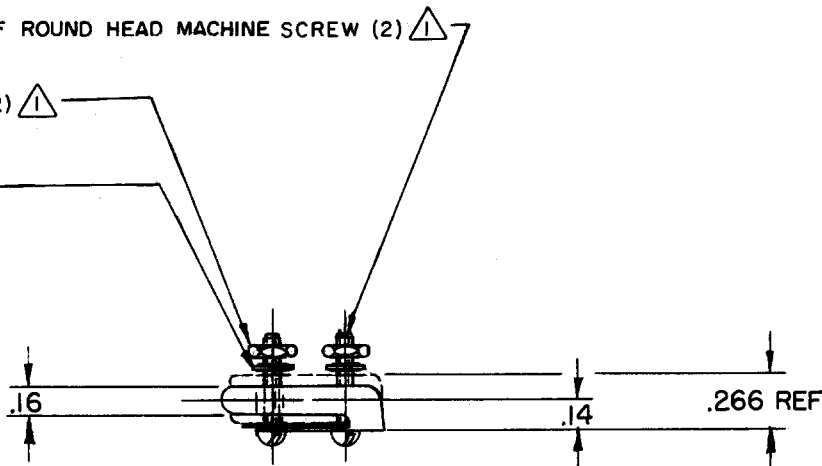
CHECK

27 MAY 59

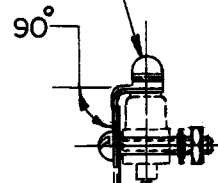
2-56 NC X .500 REF ROUND HEAD MACHINE SCREW (2) \triangle

2-56 NC HEX NUT (2) \triangle

LOCKWASHER (2) \triangle



CORROSION RESISTANT STEEL ACTUATOR



DOTTED LINES INDICATE BASIC SWITCH IN PLACE

NOTE - \triangle - FURNISHED UNASSEMBLED

THIS DRAWING COVERS A PROPRIETARY ITEM AND IS THE PROPERTY OF MICRO SWITCH, A DIVISION OF MINNEAPOLIS-HONEYWELL REGULATOR CO. THIS DRAWING IS NOT TO BE COPIED OR USED WITHOUT THE APPROVAL OF MICRO SWITCH.

CHARACTERISTICS WITH ISMI BASIC SWITCH INSTALLED

OPERATING FORCE ----- 10 OZ MAX
 RELEASE FORCE ----- 2 OZ MIN \textcircled{B}
 DIFFERENTIAL TRAVEL ----- .020 MAX
 OVERTRAVEL ----- .015 MIN

ELECTRICAL DATA

CONTACT ARRANGEMENT

SCALE FULL

DO NOT SCALE PRINT

UNLESS OTHERWISE SPECIFIED DIMENSIONS ARE IN INCHES
TOLERANCES ARE:

ONE PLACE (.0) $\pm .030$
 TWO PLACE (.00) $\pm .015$
 THREE PLACE (.000) $\pm .005$
 ANGLES $\pm 2^\circ$

WEIGHT