

# MICRO SWITCH

A DIVISION OF MINNEAPOLIS-HONEYWELL REGULATOR COMPANY  
FREEPORT, ILLINOIS

FED. MFR. CODE 91929

## ACTUATOR - SWITCH

CATALOG LISTING

JE - 12

5

JE-12  
 M  
 DRAWING NUMBER  
 ISSUE  
 X 5  
 8 A  
 REVISIONS  
 A CO47771  
 17 C.J.H. MAY 80  
 B CO74078  
 25 L.J.F. NOV 92  
 C CO79303  
 DLT 3 MAR 95  
 D CO84691  
 DLT 22 APR 97  
 CHECK B.T.G. 30 July 58  
 CHECK G.C.H. 29 July 58  
 CHECK K.L.B. 29, JULY '58  
 FORMTEK  
 FO-50378  
 DRAWN  
 K.L.B.

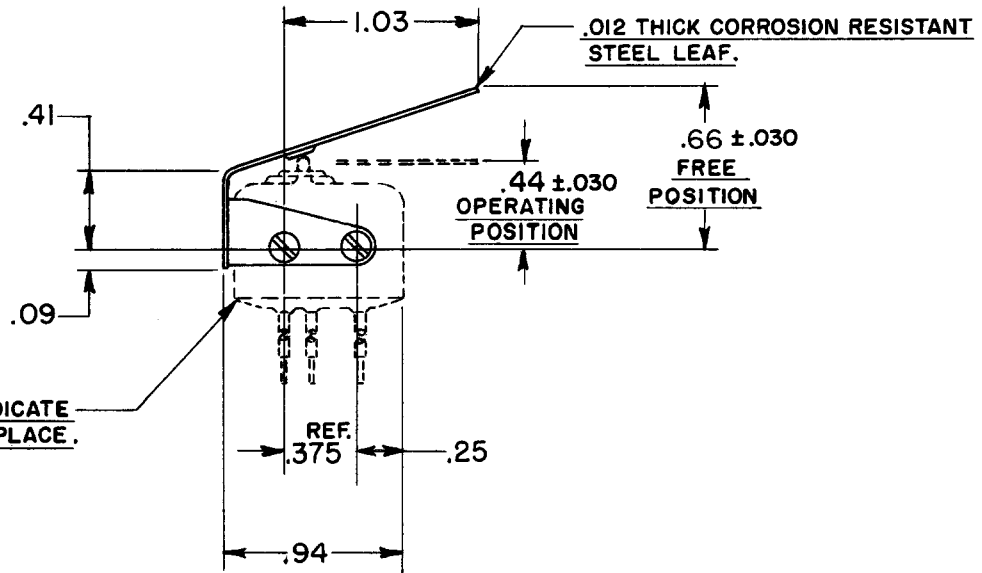
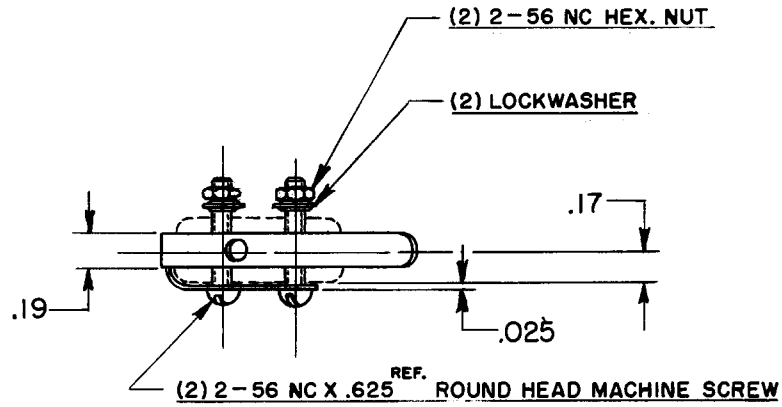
REPLACES

RELEASE NO. SR 7698

CHECK

CHECK

CHECK



**NOTE -**  
1- SCREWS, NUTS, AND LOCKWASHERS FURNISHED UNASSEMBLED.

THIS DRAWING COVERS A PROPRIETARY ITEM AND IS THE PROPERTY OF MICRO SWITCH, A DIVISION OF MINNEAPOLIS-HONEYWELL REGULATOR CO. THIS DRAWING IS NOT TO BE COPIED OR USED WITHOUT THE APPROVAL OF MICRO SWITCH.

### CHARACTERISTICS

### ELECTRICAL DATA

### SCALE FULL

CONTACT ARRANGEMENT

BREAK DISTANCE

DO NOT SCALE PRINT

UNLESS OTHERWISE SPECIFIED

DIMENSIONS ARE IN INCHES

**TOLERANCES ARE:**

ONE PLACE (.0) ±.030  
 TWO PLACE (.00) ±.015  
 THREE PLACE (.000) ±.005  
 ANGLES ±

WEIGHT